

1
RoHS Compliance

2

3

4

5

6

7

8

A

B

C

D

E

F

G

H

A

B

C

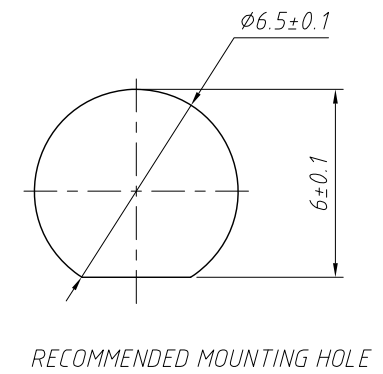
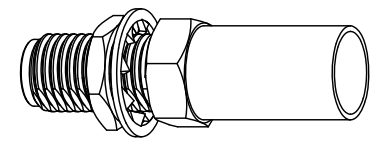
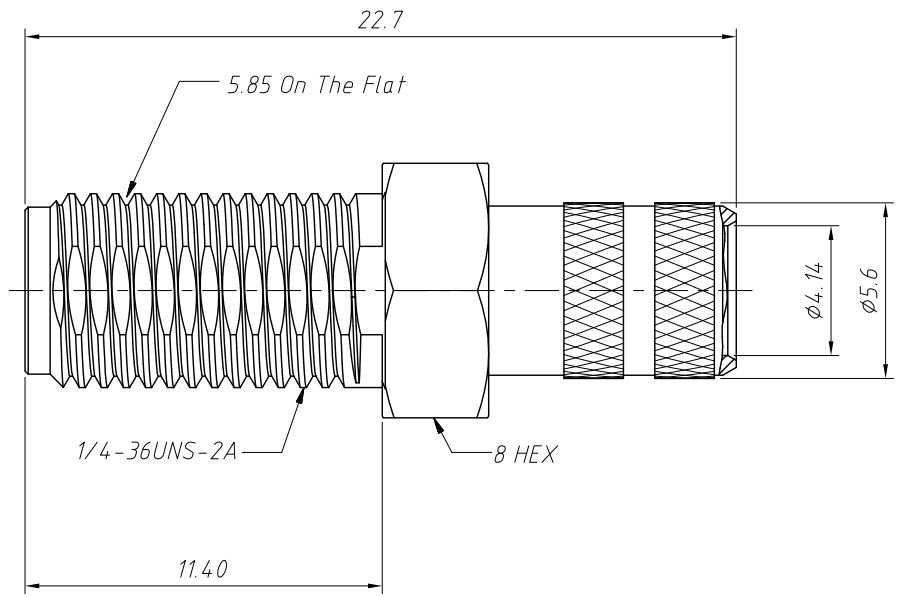
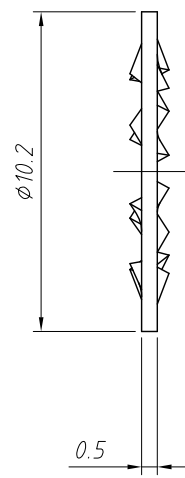
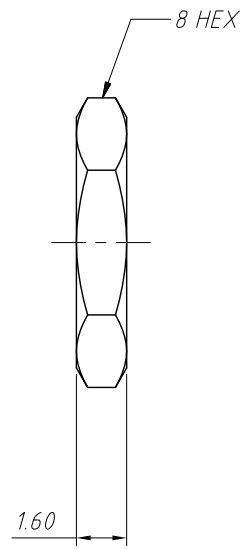
D

E

F

G

H

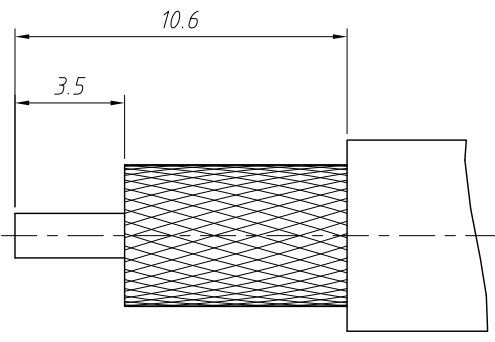


Material:
 Body: Brass, Gold Plating
 Insulator: TEFLON, Natural
 Contact: Ber. Copper, Gold Plating
 HEX Nut: Brass, Gold Plating
 Lock Washer: Brass, Gold Plating
 Ferrule: Brass, Gold Plating

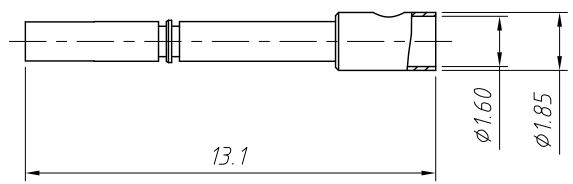
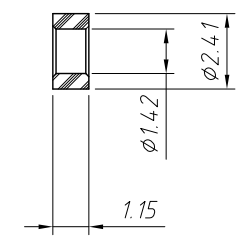
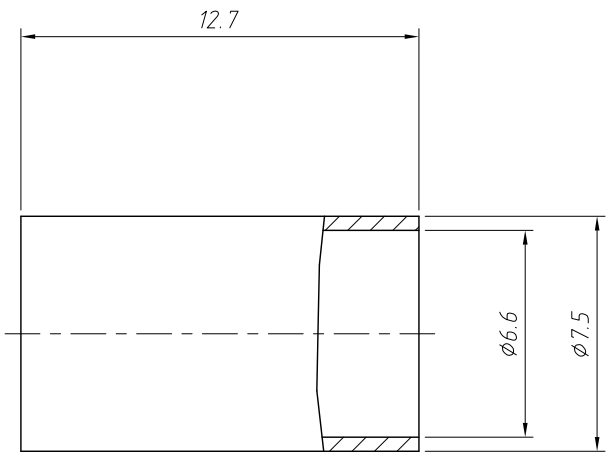
Electrical:
 Impedance: 50Ω
 Frequency Range: 0-6 GHz
 VSWR : 1.2 Max
 Insertion Loss: <0.3 dB To <0.7 dB @ DC-3 GHz
 Dielectric Withstanding Voltage : 1000 VRMS, Min

Mechanical:
 Durability: 500 Cycles Min.
 Temperature Range: -65°C to +165°C

Crimped Ferrule HEX Crimp
 Contact Pin To Solder
 Max. Panel Thickness=3.2mm



RECOMMENDED CABLE STRIPPING DIMS



ANGLE TOLERANCE	PROJECTION	Description:	Panel Mount SMA Cable Connector Straight (Jack, Female, 50Ω)	
±3°				
GENERAL TOLERANCE	UNITS	mm	KLS P/N:	L-KLS1-SMA117
x.x ±0.30	SHEET SIZE	A4		
x.xx ±0.20	Draw:	Daniel	2020-11-11	
x.xxx ±0.10	Check:	Daniel	2020-11-11	

NingBo KLS ELECTRONIC CO.,L TD.

1

2

3

4

5

6

7

8