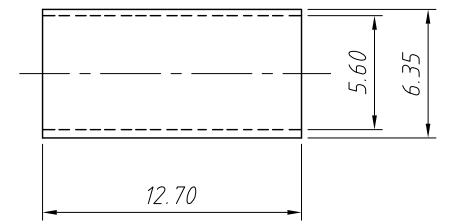
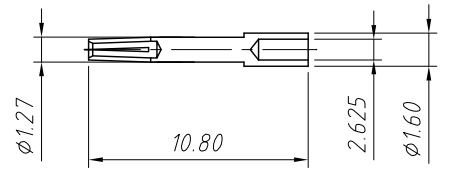
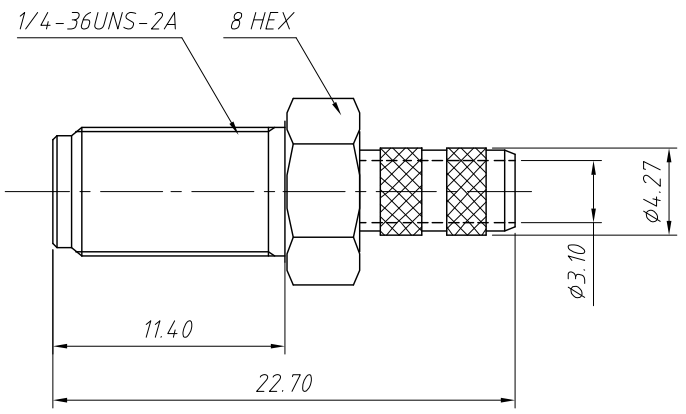


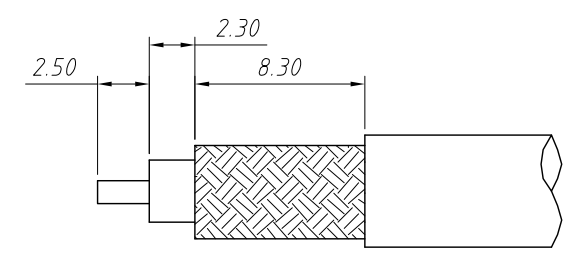
1  
RoHS Compliance



**Material:**  
 Body: Brass, Gold Plating  
 Insulator: TEFLON, Natural  
 Contact Pin: Ber. Copper, Gold Plating  
 Ferrule: Copper, Gold Plating

**Electrical:**  
 Impedance: 50Ω

**Mechanical:**  
 Durability: 500 Cycles Min.  
 Temperature Range: -65°C to +165°C



Recommended Cable Stripping Dims

ANGLE TOLERANCE	PROJECTION	Description:	Panel Mount SMA Cable Connector Straight (Jack, Female, 50Ω)	
±3°				
GENERAL TOLERANCE	UNITS	mm	KLS P/N:	L-KLS1-SMA114
x.x ±0.30	SHEET SIZE	A4		
x.xx ±0.20	Draw:	Daniel	2020-11-11	NingBo KLS ELECTRONIC CO.,L TD.
x.xxx ±0.10	Check:	Daniel	2020-11-11	