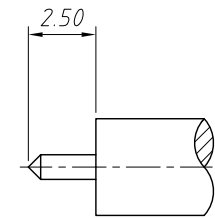
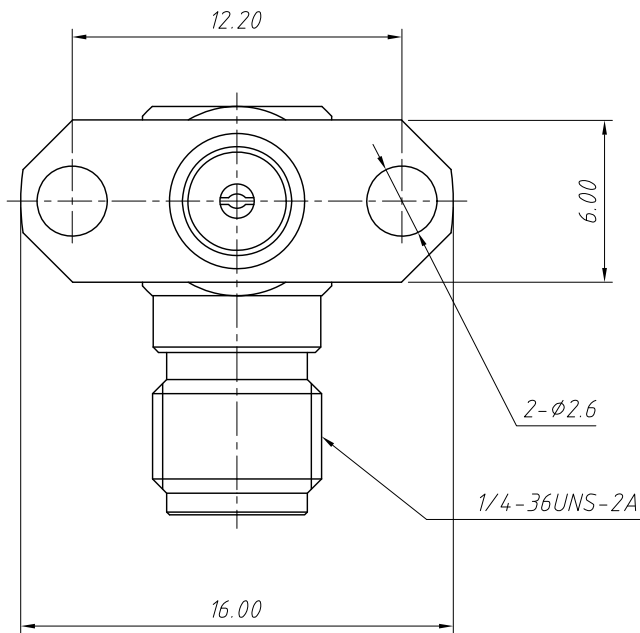
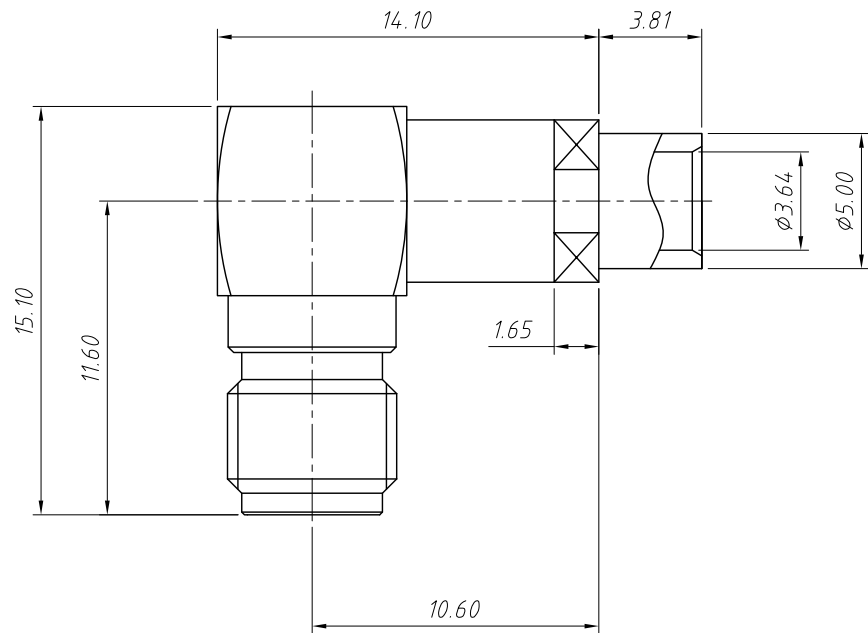


1  
RoHS Compliance



Recommended Cable Stripping Dims

**Material:**  
 Housing/Body: Brass, Gold Plating  
 Insulator: TEFLON, Natural  
 Contact Pin: Ber. Copper, Gold Plating  
 Cover: Brass, Gold Plating  
 Solder Body: Brass, Gold Plating

**Electrical:**  
 Impedance: 50Ω  
 Frequency Range Semi-rigid cable: 0-18 GHz  
 Dielectric Withstanding Voltage : 1000 VRMS, Min

**Mechanical:**  
 Durability: 500 Cycles Min.  
 Temperature Range: -65°C to +165°C

ANGLE TOLERANCE	PROJECTION	Description:	2-Hole Flange Panel Mount SMA Cable Connector Right Angle (Jack, Female, 50Ω)	
±3°				
GENERAL TOLERANCE	UNITS	mm	KLS P/N:	L-KLS1-SMA113
x.x ±0.30	SHEET SIZE	A4		
x.xx ±0.20	Draw:	Daniel	2020-11-11	
x.xxx ±0.10	Check:	Daniel	2020-11-11	

NingBo KLS ELECTRONIC CO., L TD.