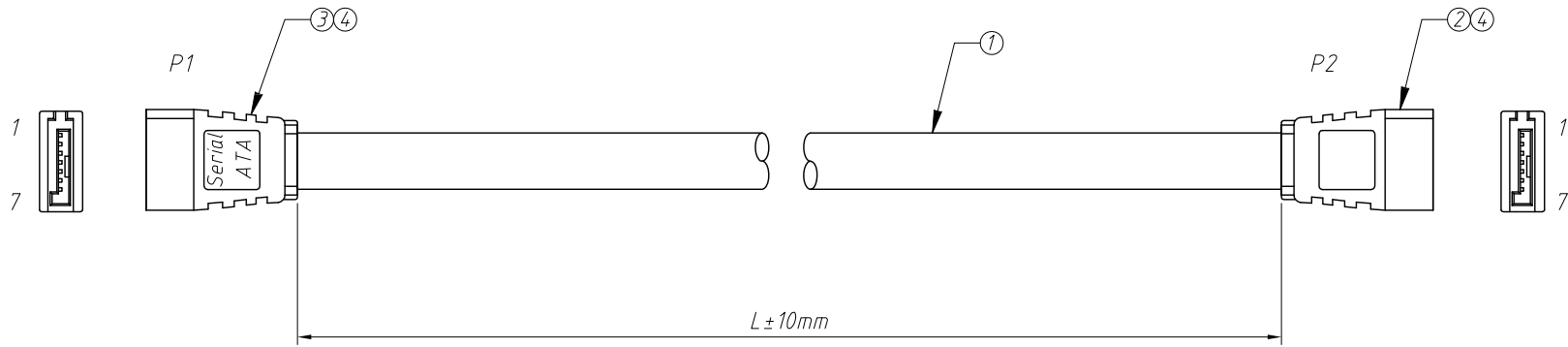


1
RoHS Compliance



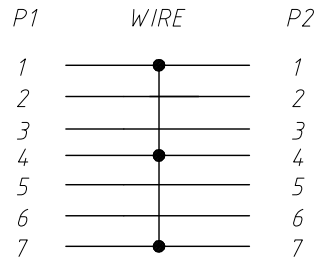
Material:

- 1.Cable:SATA Cable UL2725
26AWG(0.30/2C+A+0.30/2D)×2+RED PVC
Jacker,OD=2.2×7.8±0.15mm Win Win
- 2.Connector:SATA 7P Female
- 3.PVC,Black
- 4.PVC,Black

Electrical Test Condition:

- 100% Open Short & Miswire TEST
- Contact Resistance:5mΩ Max
- Insulator Resistance:5MΩ Min,at DC 300V/10ms

Pin Assignment



Order Information:

L-KLS17-SCP-04-010M-L

L: RoHS

Cable Length (L):

010M-100mm 012M-120mm

020M-200mm 024M-240mm

Cable Color:

R=Red L=Blue

ANGLE TOLERANCE	PROJECTION	Description:	
±3°		SATA cables	
GENERAL TOLERANCE	UNITS	mm	KLS P/N:
x.x ±0.30	SHEET SIZE	A4	L-KLS17-SCP-04-010M-L
x.xx ±0.20	Draw:	Daniel	2020-11-11
x.xxx ±0.10	Check:	Daniel	2020-11-11



NingBo KLS ELECTRONIC CO.,L TD.