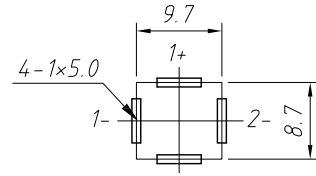
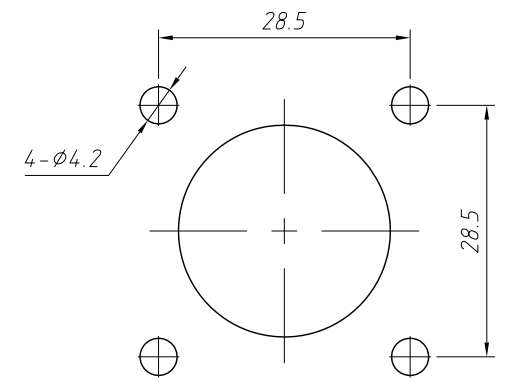
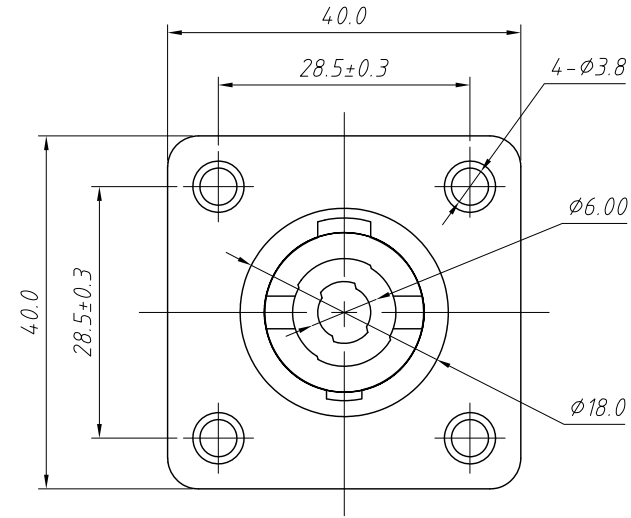
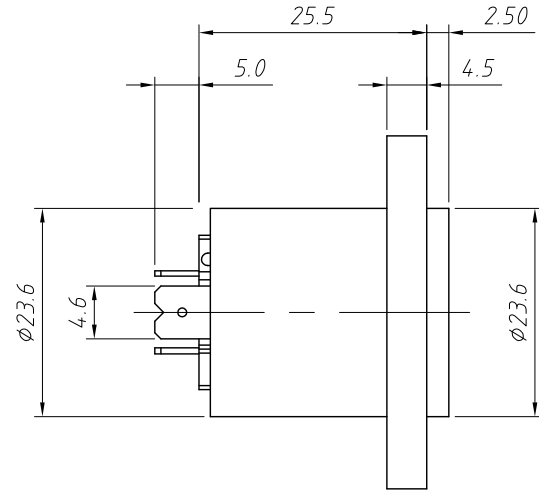


1
RoHS Compliance



PCB Layout Top View



Panel Cut Out

Order Information:
L-KLS1-SL S-0614-04-BK
 L: RoHS
 speakON series
 Type: S- Socket P-Plug
 Order Number
 No. of 04 pins
 Color: BK-Black

Electrical:
 1. Voltage Rating: 250VAC
 2. Current Rating: XLR: 20A Max. / JACK: 15A Max.
 3. Contact Resistance: 30mΩ Max.
 4. Insulation Resistance: 1000MΩ Min.
 5. Withstanding Resistance : 1000VAC Min.

Mechanical:
 1. Durability: 1000 cycles Min.
 2. Insertion Force: 5~20N
 3. / withdrawal Force: 5~20N.

ANGLE TOLERANCE	PROJECTION	Description:
±3°		4 Pole Chassis Connector Flange
GENERAL TOLERANCE	UNITS	mm
x.x ±0.30	SHEET SIZE	A4
x.xx ±0.20	Draw:	Daniel 2021-08-28
x.xxx ±0.10	Check:	Daniel 2021-08-28

L-KLS1-SLS-0614-04-BK

 NingBo KLS ELECTRONIC CO.,LTD.