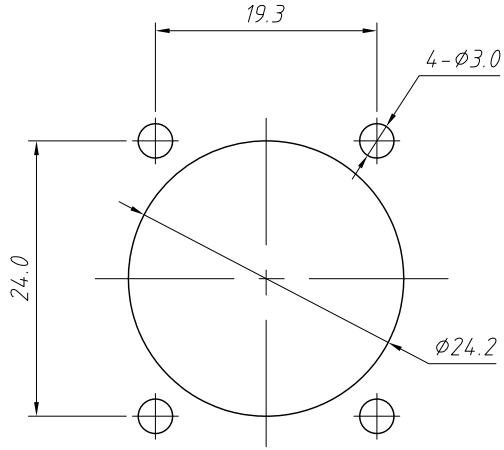
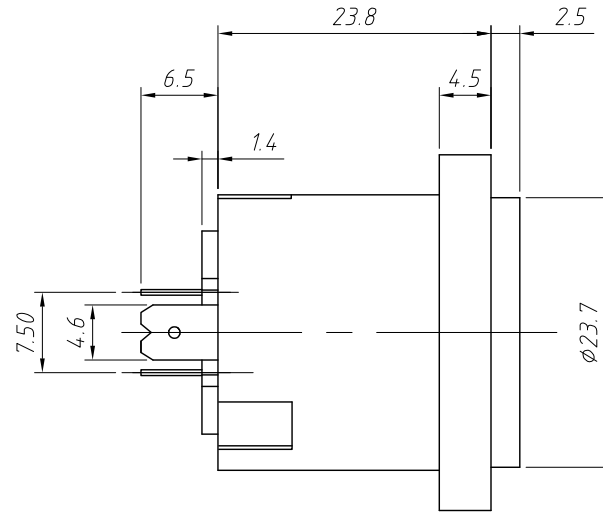
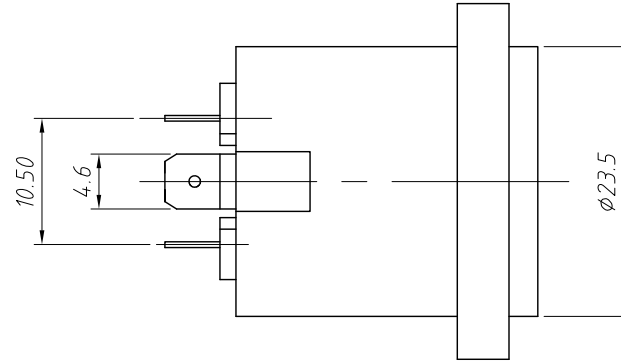


RoHS Compliance



Panel Cut Out

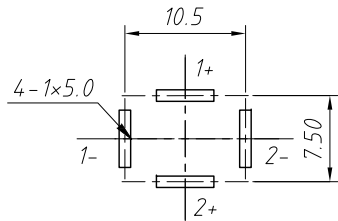


Electrical:

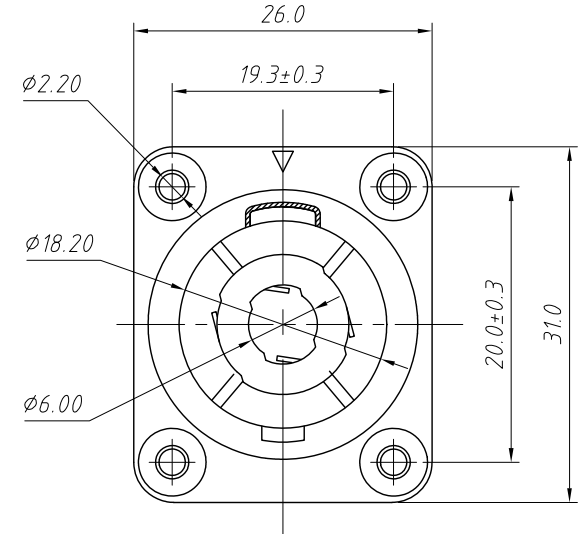
- 1.Voltage Rating: 250VAC
- 2.Current Rating: XLR:20A Max. / JACK: 15A Max.
- 3.Contact Resistance: 30mΩ Max.
- 4.Insulation Resistance: 1000MΩ Min.
- 5.Withstanding Resistance :1000VAC Min.

Mechanical:

- 1.Durability: 1000 cycles Min.
- 2.Insertion Force: 5~20N
- 3./withdrawal Force: 5~20N.

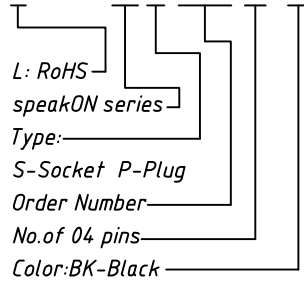


PCB Layout Top View



Order Information:

L-KLS1-SL S-0611-04-BK



ANGLE TOLERANCE	PROJECTION	Description:	
±3°		4 Pole Chassis Connector Flange	
GENERAL TOLERANCE	UNITS	mm	KLS P/N:
x.x ±0.30	SHEET SIZE	A4	L-KLS1-SLS-0611-04-BK
x.xx ±0.20	Draw:	Daniel	2021-08-28
x.xxx ±0.10	Check:	Daniel	2021-08-28



NingBo KLS ELECTRONIC CO.,LTD.