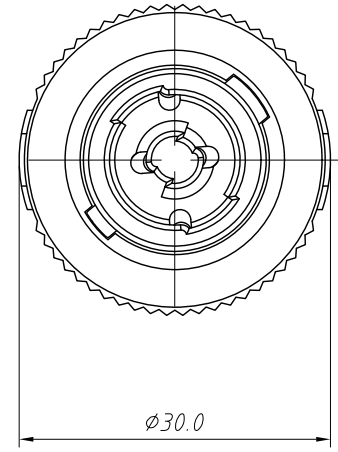
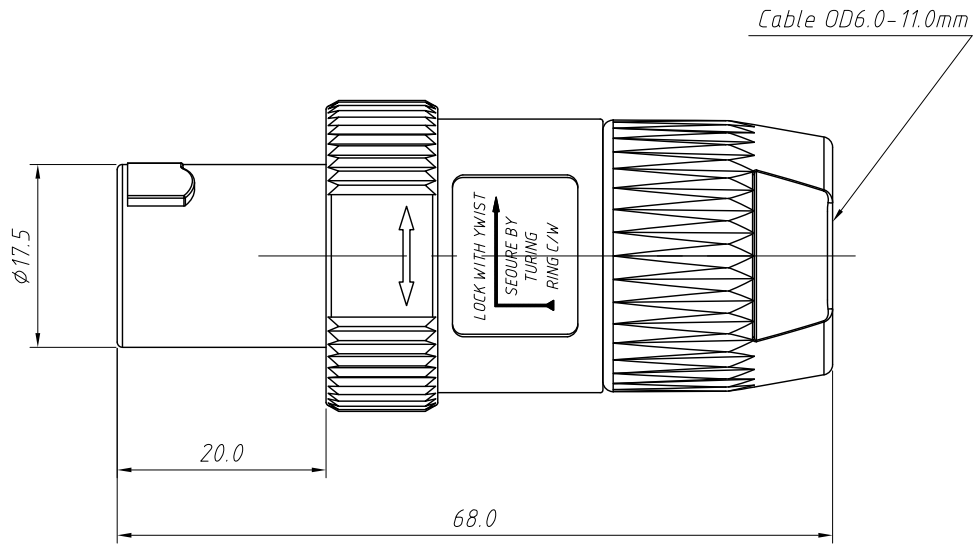


1
RoHS Compliance



- Electrical:**
- 1.Voltage Rating: 250VAC
 - 2.Current Rating: 15A Max.
 - 3.Contact Resistance: 30mΩ Max.
 - 4.Insulation Resistance: 1000MΩ Min.
 - 5.Withstanding Resistance :1000VAC Min.
- Mechanical:**
- 1.Durability: 1000 cycles Min.
 - 2.Insertion Force: 5~20N
 - 3./withdrawal Force: 5~20N.

Order Information:
 L-KLS1-SL P-0604-04-BL

ANGLE TOLERANCE	PROJECTION	Description:	
±3°		4 Pole SpeakON Connectors Plug	
GENERAL TOLERANCE	UNITS	mm	KLS P/N:
x.x ±0.30	SHEET SIZE	A4	L-KLS1-SLP-0604-04-BL
x.xx ±0.20	Draw:	Daniel	2021-08-28
x.xxx ±0.10	Check:	Daniel	2021-08-28

