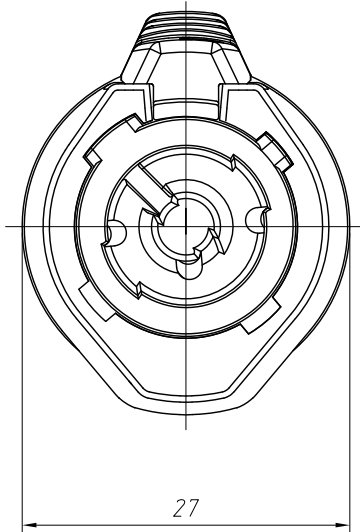
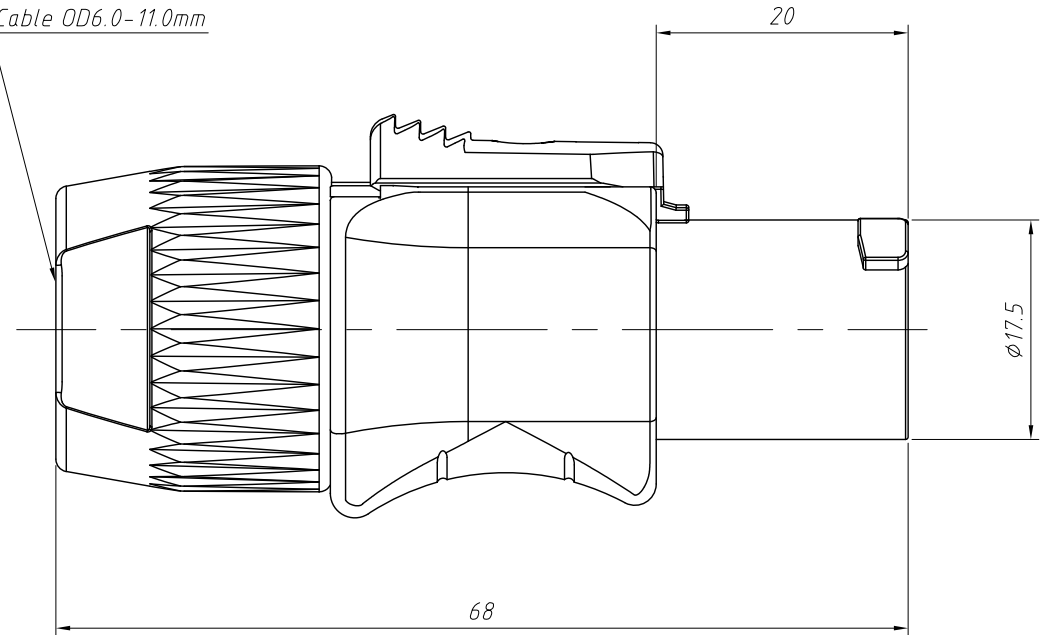


1
RoHS Compliance



Cable OD 6.0-11.0mm



Electrical:
 1.Voltage Rating: 250VAC
 2.Current Rating: 20A Max.
 3.Contact Resistance: 30mΩ Max.
 4.Insulation Resistance: 1000MΩ Min.
 5.Withstanding Resistance :1000VAC Min.

Mechanical:
 1.Durability: 1000 cycles Min.

Order Information:
 L-KLS1-SL P-0702-02-BL
 L: RoHS
 speakON series
 Type: S-socket P-Plug
 Order Number
 No. of 02 pins
 Color:BL-Blue

ANGLE TOLERANCE	PROJECTION	Description:	
±3°		2+PE AC PowerCON Blue Plug	
GENERAL TOLERANCE	UNITS	mm	KLS P/N:
x.x ±0.30	SHEET SIZE	A4	L-KLS1-SLP-0702-02-BL
x.xx ±0.20	Draw:	Daniel	2021-08-28
x.xxx ±0.10	Check:	Daniel	2021-08-28



NingBo KLS ELECTRONIC CO.,L TD.