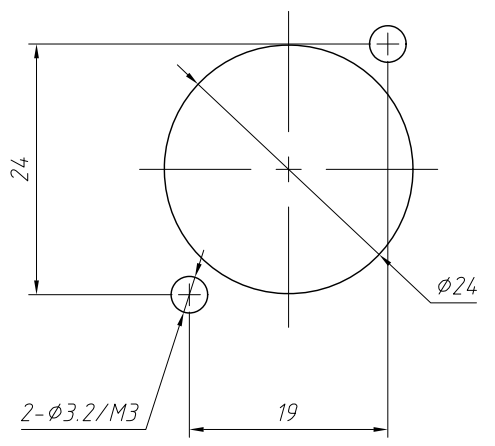
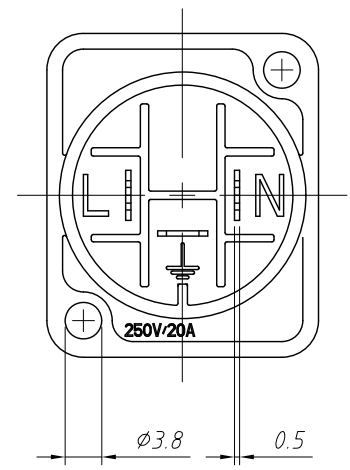
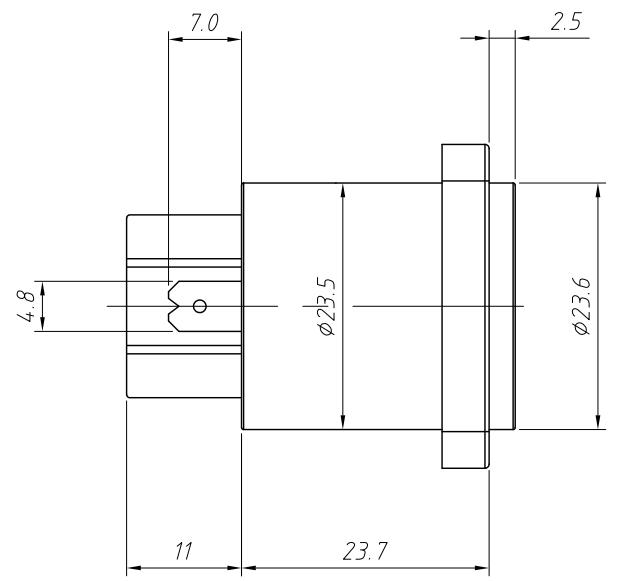
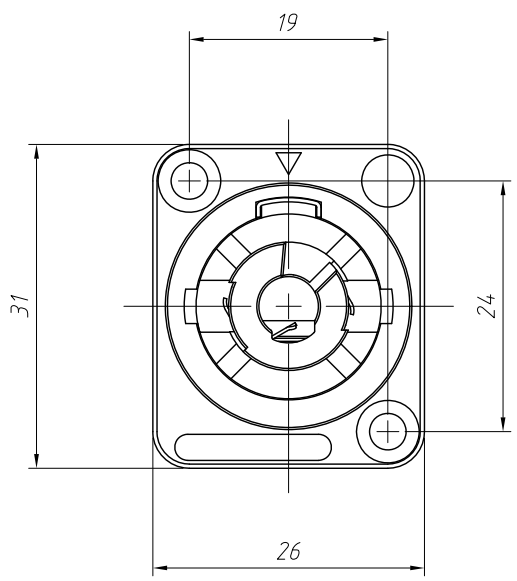


1  
RoHS Compliance



Mounting Hole Dimensions

**Electrical:**

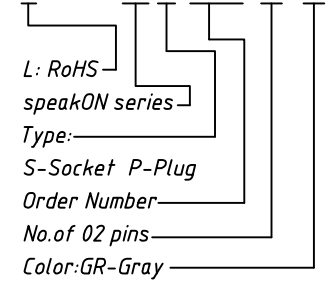
- 1.Voltage Rating: 250VAC
- 2.Current Rating: 20A Max.
- 3.Contact Resistance: 30mΩ Max.
- 4.Insulation Resistance: 1000MΩ Min.
- 5.Withstanding Resistance :1000VAC Min.

**Mechanical:**

- 1.Durability: 1000 cycles Min.

**Order Information:**

L-KLS1-SL S-0701-02-GR



ANGLE TOLERANCE	PROJECTION	Description:	
±3°		2+PE AC PowerCON Gray Socket	
GENERAL TOLERANCE	UNITS	mm	KLS P/N:
x.x ±0.30	SHEET SIZE	A4	1 / 1 page
x.xx ±0.20	Draw:	Daniel	2021-08-28
x.xxx ±0.10	Check:	Daniel	2021-08-28



NingBo KLS ELECTRONIC CO.,LTD.