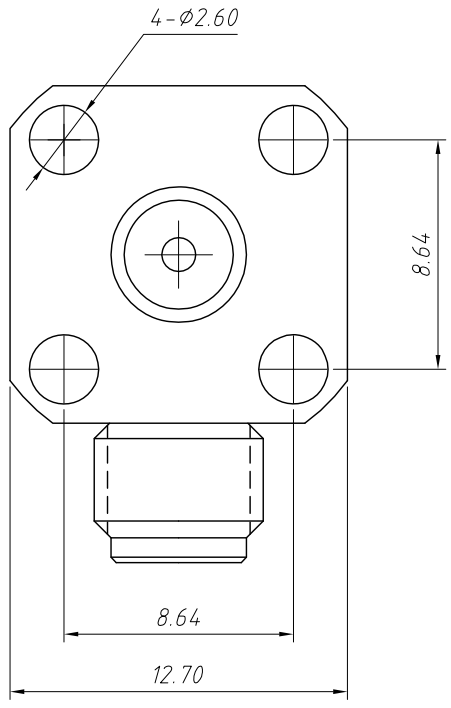
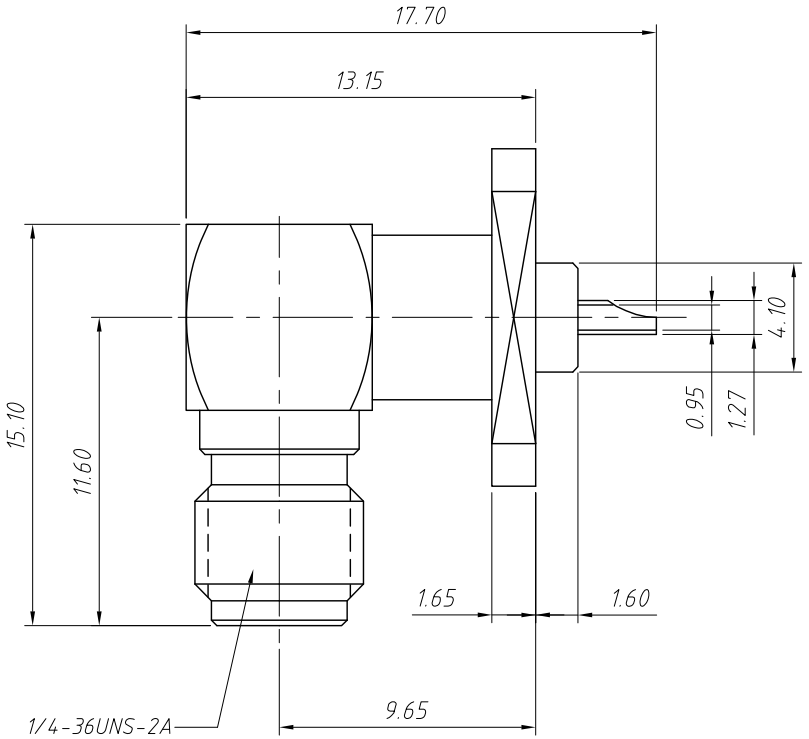


1
RoHS Compliance



Material:
 Body:Brass,Gold Plating
 Housing:Brass,Gold Plating
 Contact Pin:Ber.Copper,Gold Plating
 Insulator:TEFLON,Natural
 Cover:Brass,Gold Plating
 Ping:Brass,Gold Plating

Electrical:
 Impedance:50Ω

Mechanical:
 Durability:500 Cycles Min.
 Temperature Range:-65°C to +165°C

ANGLE TOLERANCE	PROJECTION	Description:	4-Hole Flange Panel Mount SMA Connector Right Angle (Jack,Female,50Ω)	
±3°				
GENERAL TOLERANCE	UNITS	mm	KLS P/N:	L-KLS1-SMA105
x.x ±0.30	SHEET SIZE	A4		
x.xx ±0.20	Draw:	Daniel	2020-11-11	NingBo KLS ELECTRONIC CO.,L TD.
x.xxx ±0.10	Check:	Daniel	2020-11-11	