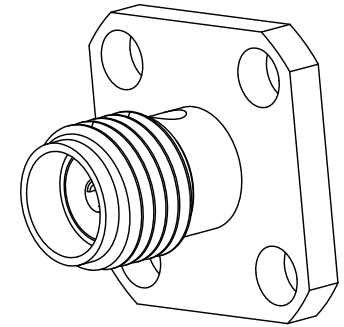
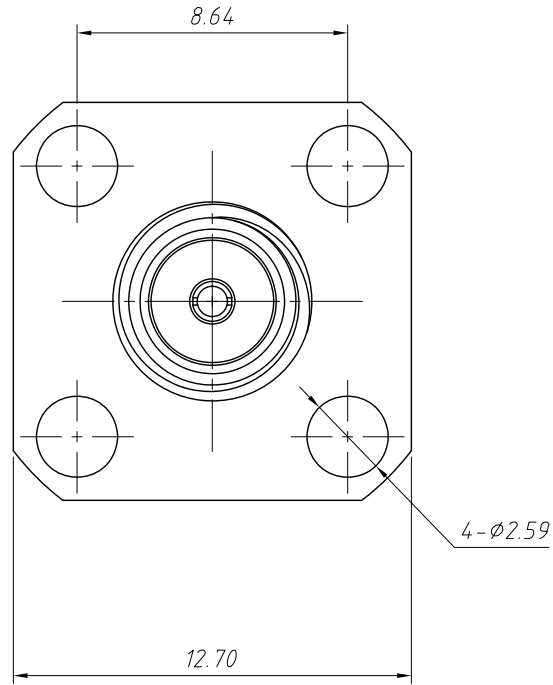
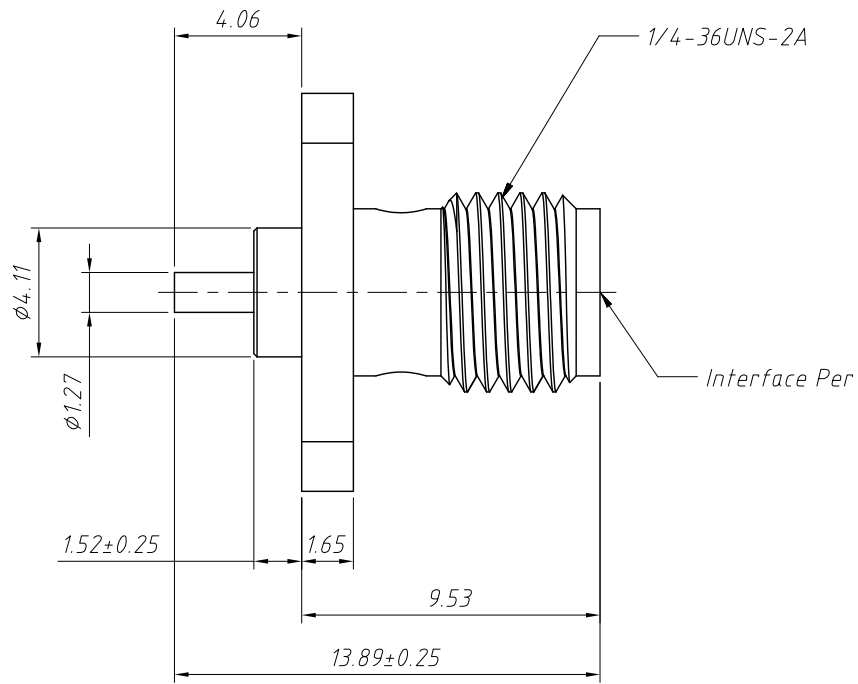


1
RoHS Compliance



Material:
 Body:Stainless Steel, Passivated
 Contact:Beryllium Copper,Gold Plating
 Insulator:PTFE

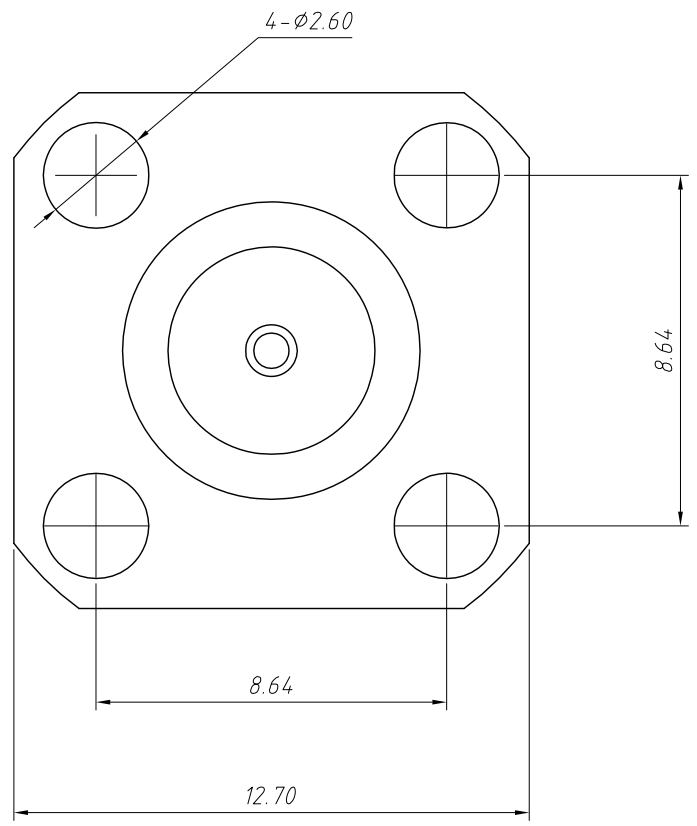
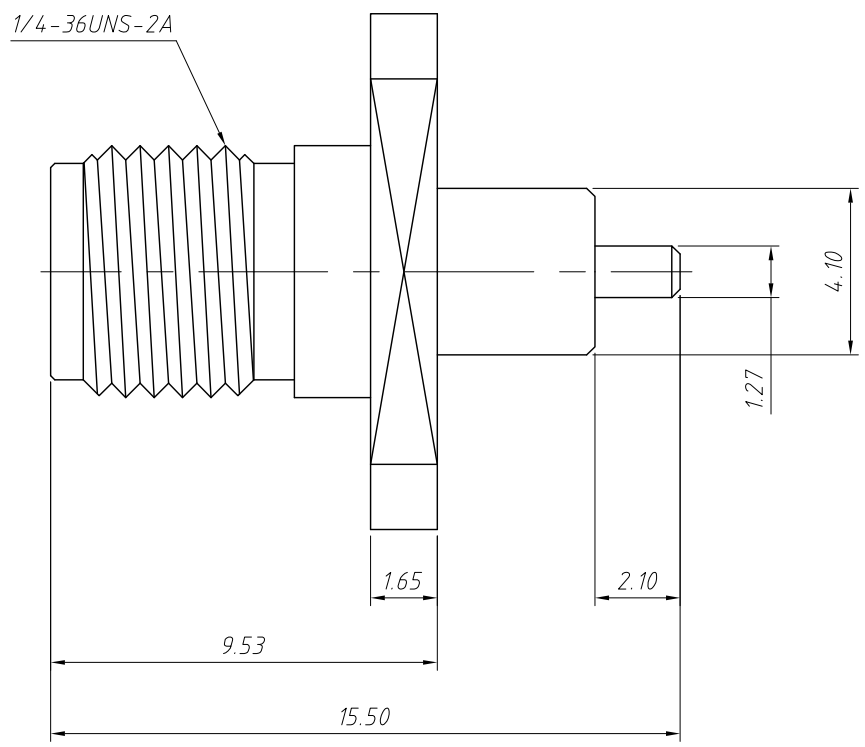
Electrical:
 Impedance:50Ω

Mechanical:
 Durability:500 Cycles Min.
 Temperature Range:-65°C to +165°C

Packaging:
 Quantity: Single Pack
 Marking: Bag To Be Marked

ANGLE TOLERANCE	PROJECTION	Description:	4-Hole Flange Panel Mount SMA Connector Straight Jack, Female L13.6mm	
±3°				
GENERAL TOLERANCE	UNITS	mm	KLS P/N:	L-KLS1-SMA098-L13.6
x.x ±0.30	SHEET SIZE	A4		
x.xx ±0.20	Draw:	Daniel	2020-11-11	NingBo KLS ELECTRONIC CO.,LTD.
x.xxx ±0.10	Check:	Daniel	2020-11-11	

1
RoHS Compliance



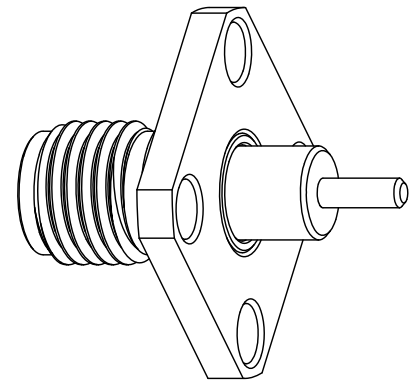
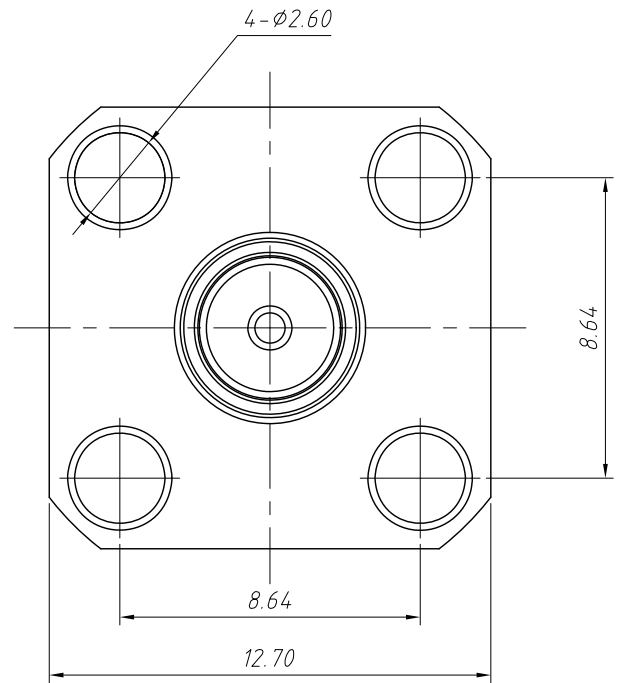
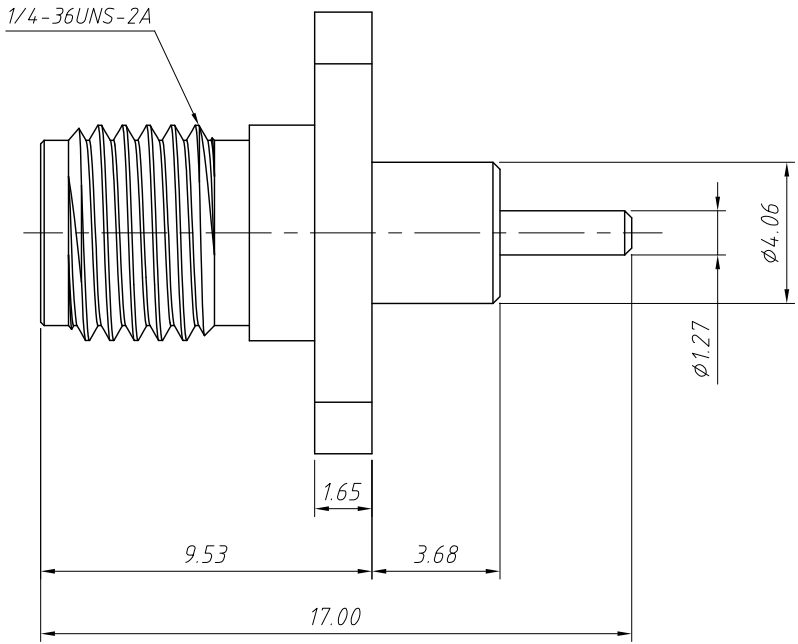
Material:
 Body: Brass, Gold Plating
 Contact Pin: Ber. Copper, Gold Plating
 Insulator: Teflon, Natural

Electrical:
 Impedance: 50Ω

Mechanical:
 Durability: 500 Cycles Min.
 Temperature Range: -65°C to +165°C

ANGLE TOLERANCE	PROJECTION		Description:	4-Hole Flange Panel Mount SMA Connector
±3°				Straight Jack, Female L15.5mm
GENERAL TOLERANCE	UNITS	mm	KLS P/N:	L-KLS1-SMA098-L15.5
x.x ±0.30	SHEET SIZE	A4		NingBo KLS ELECTRONIC CO.,LTD.
x.xx ±0.20	Draw:	Daniel	2020-11-11	
x.xxx ±0.10	Check:	Daniel	2020-11-11	

1
RoHS Compliance



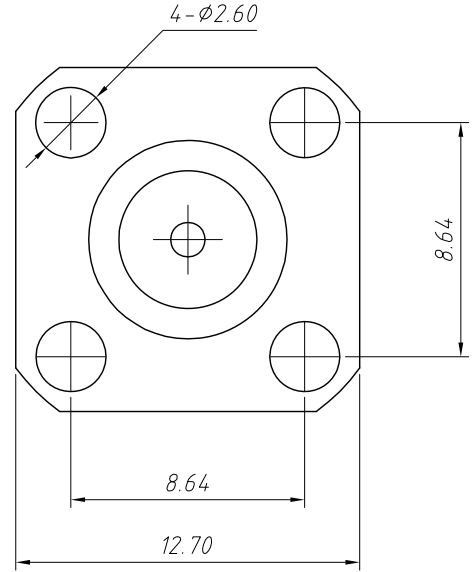
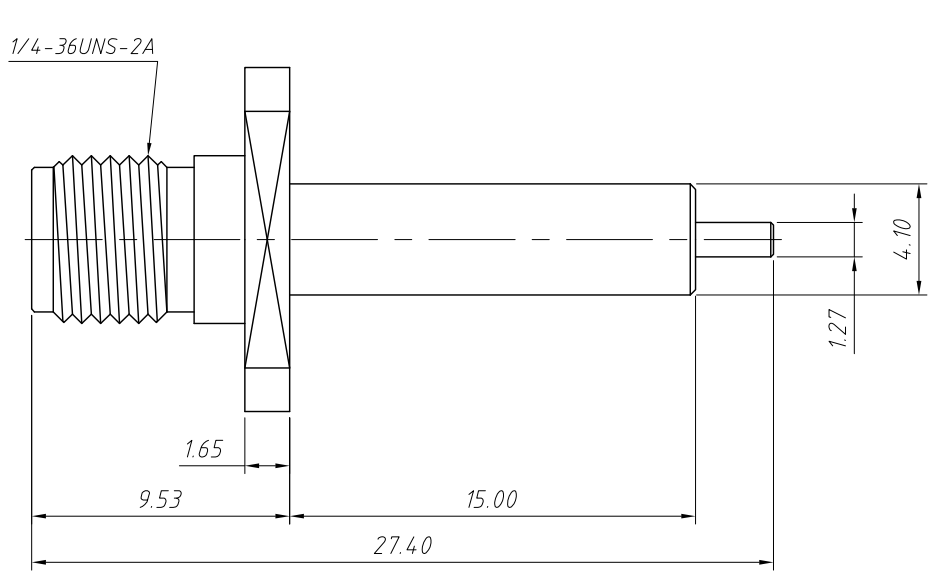
Material:
 Body: Brass, Gold Plating
 Contact Pin: Ber. Copper, Gold Plating
 Insulator: PTFE, Natural

Electrical:
 Impedance: 50Ω
 Frequency Range: DC - 12.4 GHz
 Dielectric Withstanding Voltage: 1000 VRMS Min

Mechanical:
 Durability: 500 Cycles Min.
 Temperature Range: -65°C to +165°C
 The Contact Pin Must Withstand A 6 LBS. Min. Axial Force
 And 4 In-Oz Rotational Torque

ANGLE TOLERANCE	PROJECTION	Description:	4-Hole Flange Panel Mount SMA Connector Straight Jack, Female L17.0mm	
±3°				
GENERAL TOLERANCE	UNITS	mm	KLS P/N:	L-KLS1-SMA098-L17.0
x.x ±0.30	SHEET SIZE	A4		
x.xx ±0.20	Draw:	Daniel	2020-11-11	NingBo KLS ELECTRONIC CO.,L TD.
x.xxx ±0.10	Check:	Daniel	2020-11-11	

1
RoHS Compliance



Material:
 Body: Brass, Gold Plating
 Housing: Brass, Gold Plating
 Contact Pin: Ber. Copper, Gold Plating
 Insulator: TEFLON, Natural

Electrical:
 Impedance: 50Ω

Mechanical:
 Durability: 500 Cycles Min.
 Temperature Range: -65°C to +165°C

ANGLE TOLERANCE	PROJECTION		Description:	4-Hole Flange Panel Mount SMA Connector Straight Jack, Female L27.4mm
±3°				
GENERAL TOLERANCE	UNITS	mm	KLS P/N:	L-KLS1-SMA098-L27.4
x.x ±0.30	SHEET SIZE	A4		NingBo KLS ELECTRONIC CO.,L TD.
x.xx ±0.20	Draw:	Daniel	2020-11-11	
x.xxx ±0.10	Check:	Daniel	2020-11-11	