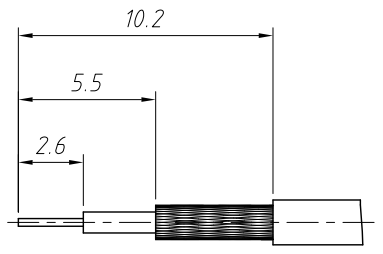
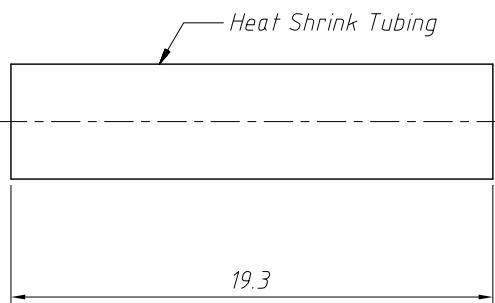
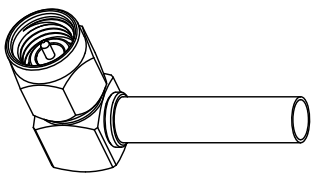


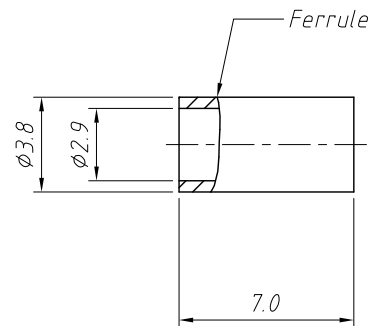
1
RoHS Compliance



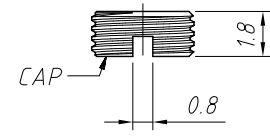
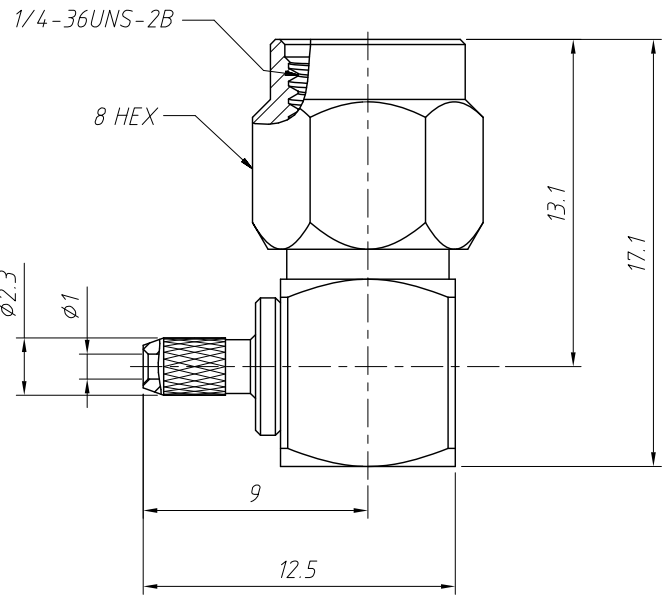
Recommended Cable Stripping Dims



Heat Shrink Tubing



Ferrule



Crimped Ferrule HEX Crimp Size
Solder Cable Center Conductor
To Connector Center Contact
Connector Meets Corrosion Requirements Per
MIL-STD-202, Method 101, Test Condition B

Electrical:
Impedance: 50Ω
Frequency Range: 0-3 GHz
Dielectric Withstanding Voltage: 500 VRMS . Min

Mechanical:
Durability: 500 Cycles Min.
Temperature Range: -65°C to +165°C

Material:
Ferrule: Copper, Gold Plating
Cover: Brass, Gold Plating
Body: Brass, Gold Plating
Contact: Brass, Gold Plating
Retainer Ring: SUS 304 , Natural
Gasket: Silicon Rubber, Red
Insulator: PTFE, Natural

ANGLE TOLERANCE	PROJECTION	Description:	SMA Cable Connector Right Angle (Plug, Male, 50Ω)
±3°			
GENERAL TOLERANCE	UNITS	mm	KLS P/N: L-KLS1-SMA094
x.x ±0.30	SHEET SIZE	A4	
x.xx ±0.20	Draw:	Daniel	2020-11-11
x.xxx ±0.10	Check:	Daniel	2020-11-11

