

1
RoHS Compliance

2

3

4

5

6

7

8

A

B

C

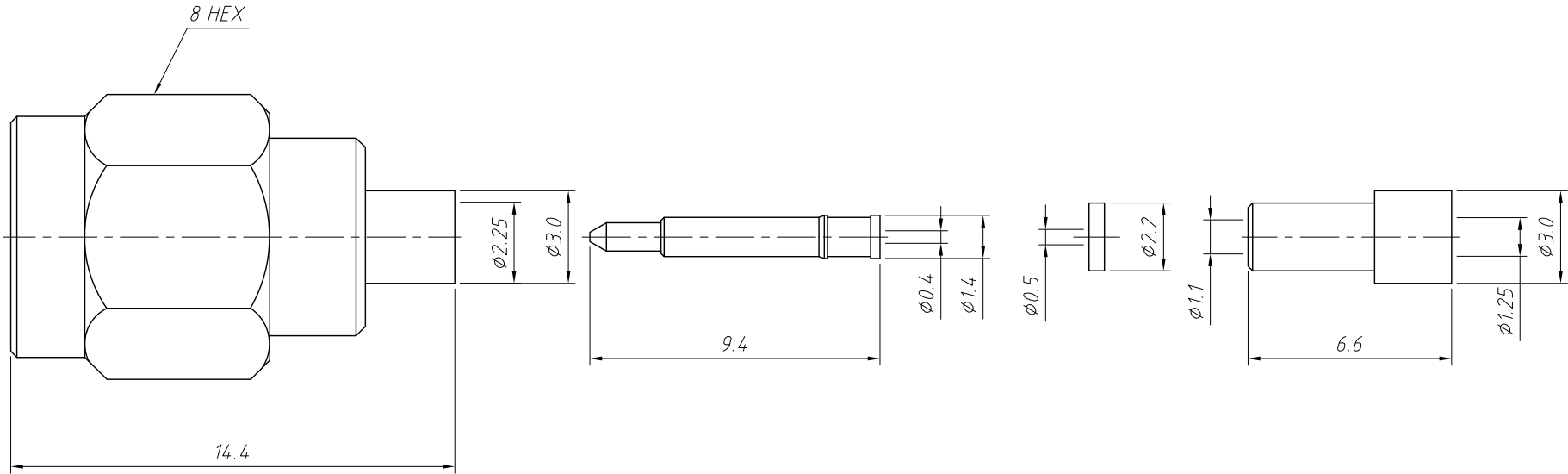
D

E

F

G

H



Material:

Body: Brass, Gold Plating
 Contact Pin: Ber. Copper, Gold Plating
 Insulator: PTFE
 Retainer Ring: SUS 304, Natural
 Gasket: Silicon Rubber, Red
 Shell: Brass, Gold Plating

Electrical:

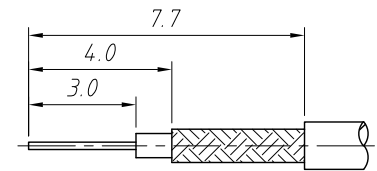
Impedance: 50 Ω

Mechanical:

Durability: 500 Cycles Min.
 Temperature Range: -65°C to +165°C

Notes : Finish (Plating Thickness In MicRO-Inches)

1. Brass
2. Thin Gold Over Nickel PL . 50 Min . Thick
Over Copper PL.50 Min . Thick
3. Gold PL . 3 Min . Thick Over Nickel PL.50 Min . Thick
Over Copper PL.50 Min . Thick
4. Teflon



Recommended
Cable Stripping Dims

ANGLE TOLERANCE	PROJECTION	Description:	RF Connector SMA Straight Crimp Plug	
$\pm 3^\circ$			1.13 mm Micro-cable (Plug, Male, 50 Ω)	
GENERAL TOLERANCE	UNITS	mm	KLS P/N: L-KLS1-SMA090	
x.x ± 0.30	SHEET SIZE	A4	NingBo KLS ELECTRONIC CO.,LTD.	
x.xx ± 0.20	Draw:	Daniel		2020-11-11
x.xxx ± 0.10	Check:	Daniel		2020-11-11

1

2

3

4

5

6

7

8