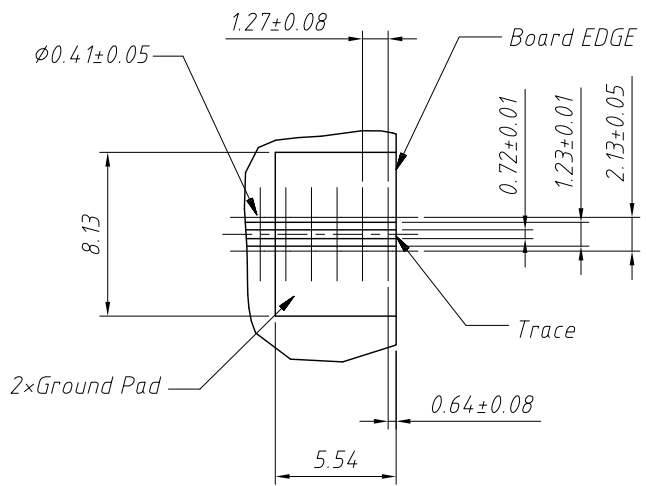
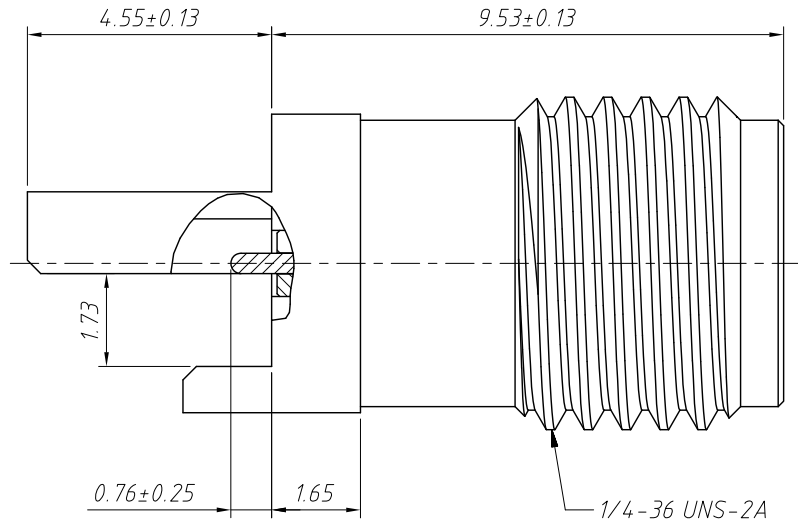
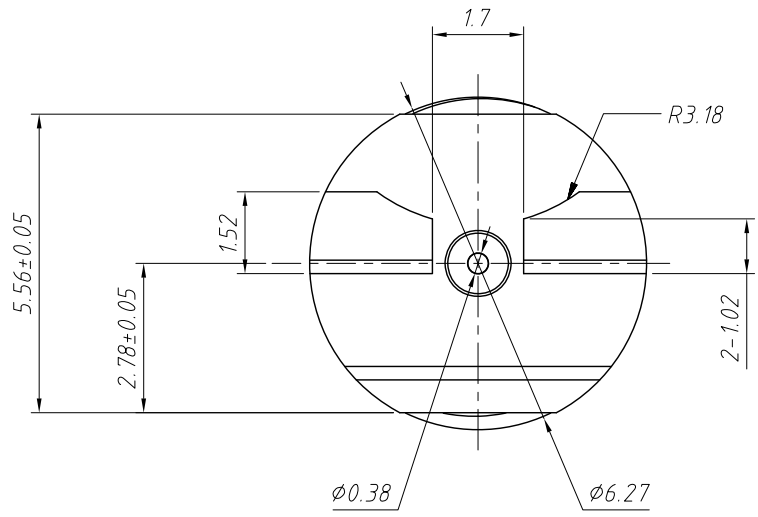
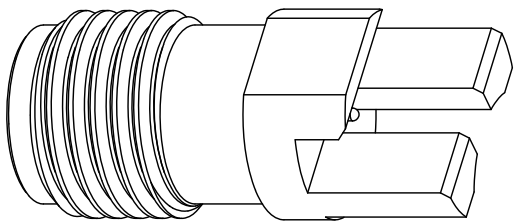


1
RoHS Compliance



Mounting Footprint



Material:
 Body: Brass, Gold Plating
 Contact Pin: Ber. Copper, Gold Plating
 Insulator: PTFE, Natural

Electrical:
 Impedance: 50Ω
 Frequency Range: DC 0-18 GHz
 Dielectric Withstanding Voltage: 1000 VRMS, Min.

Mechanical:
 Durability: 500 Cycles Min.
 Temperature Range: -65°C to +165°C

ANGLE TOLERANCE	PROJECTION	Description:	SMA PCB End Launch Str Pl 50Ω (Plug, Male) L17.4mm
±3°			
GENERAL TOLERANCE	UNITS	mm	KLS P/N: L-KLS1-SMA087
x.x ±0.30	SHEET SIZE	A4	NingBo KLS ELECTRONIC CO.,L TD.
x.xx ±0.20	Draw:	Daniel	
x.xxx ±0.10	Check:	Daniel	