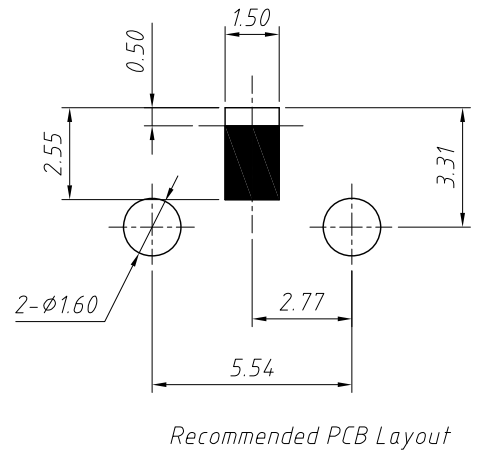
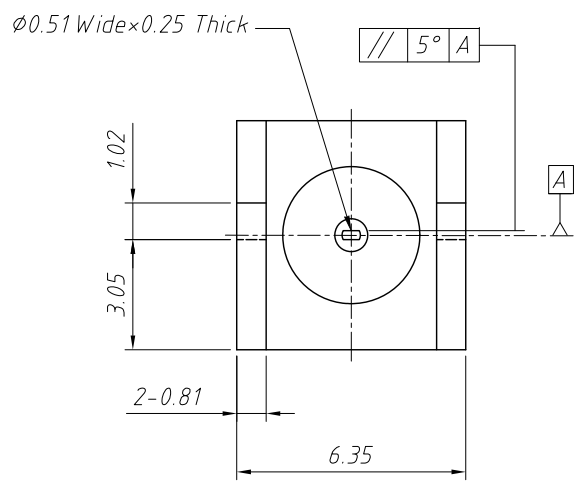
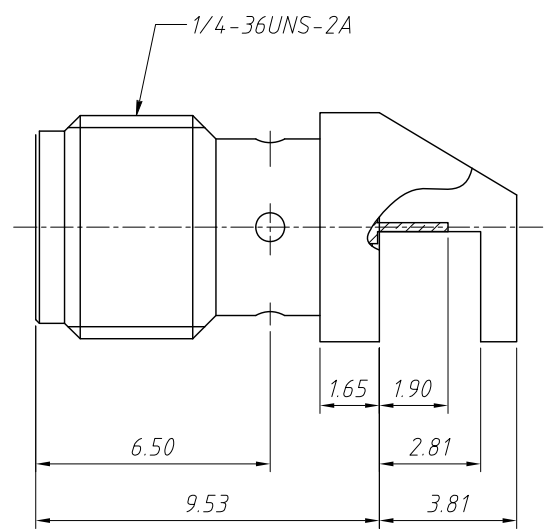


1  
RoHS Compliance



**Material:**  
 1.Body:Brass,Gold Plating  
 2.Insulator:PTFE,Natural  
 3.Contact Pin:Beryllium.Copper,Gold Plating

**Electrical:**  
 1.Impedance:50Ω  
 2.Max.Panel Thickness=4.5mm

ANGLE TOLERANCE	PROJECTION	Description:	RF Connector SMA PCB End Launch Str Jk 50Ω (Jack, Female)
±3°			
GENERAL TOLERANCE	UNITS	mm	KLS P/N: L-KLS1-SMA080
x.x ±0.30	SHEET SIZE	A4	
x.xx ±0.20	Draw:	Daniel	2020-11-11
x.xxx ±0.10	Check:	Daniel	2020-11-11

