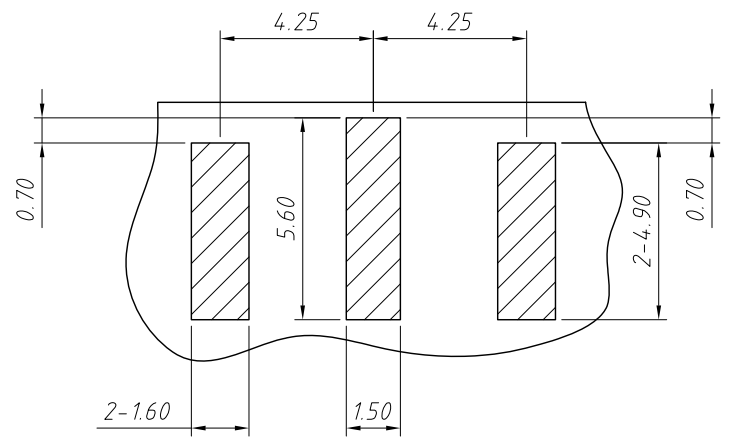
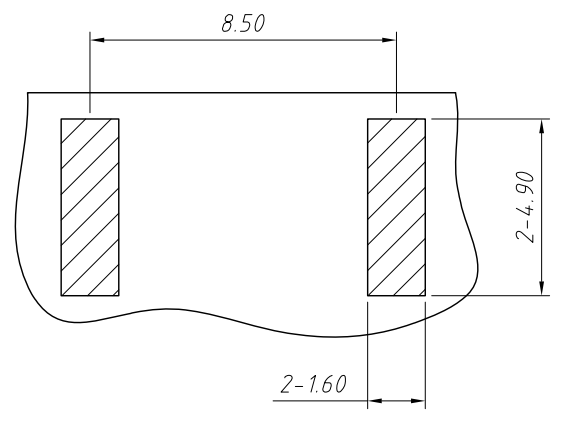


1
RoHS Compliance

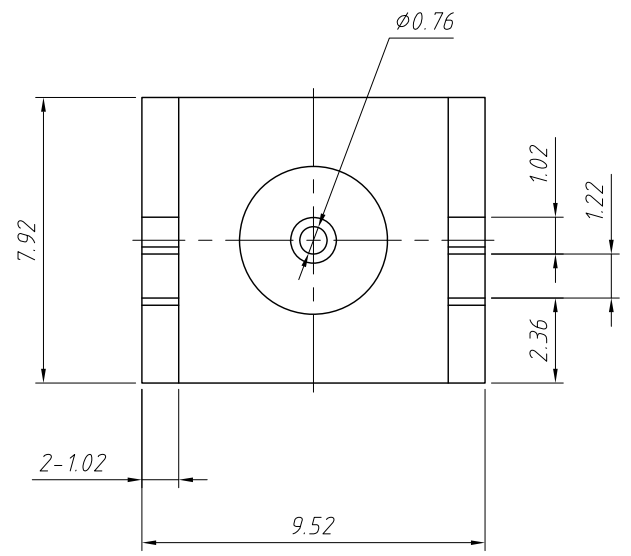
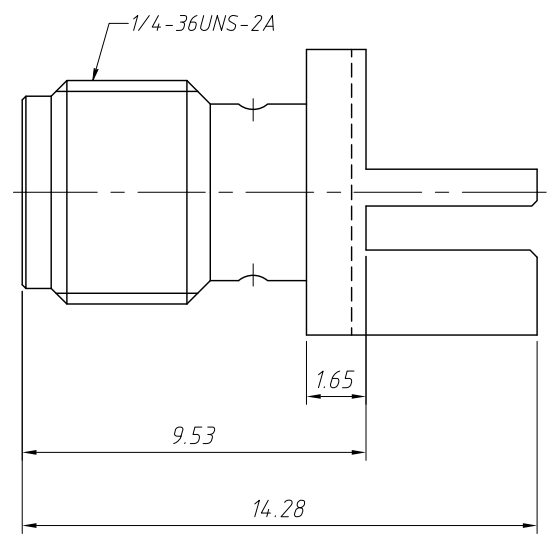


TOP VIEW

RECOMMENDED PCB LAYOUT



BOTTOM VIEW



Material:
 1.Body:Brass,Gold Plating
 2.Insulator:PTFE,Nautral
 3.Contact Pin:Ber.Copper,Gold Plating

ANGLE TOLERANCE	PROJECTION	Description:	RF Connector SMA PCB End Launch Jack Female 50Ω	
±3°				
GENERAL TOLERANCE	UNITS	mm	KLS P/N:	L-KLS1-SMA068
x.x ±0.30	SHEET SIZE	A4		
x.xx ±0.20	Draw:	Daniel	2020-11-11	NingBo KLS ELECTRONIC CO.,L TD.
x.xxx ±0.10	Check:	Daniel	2020-11-11	