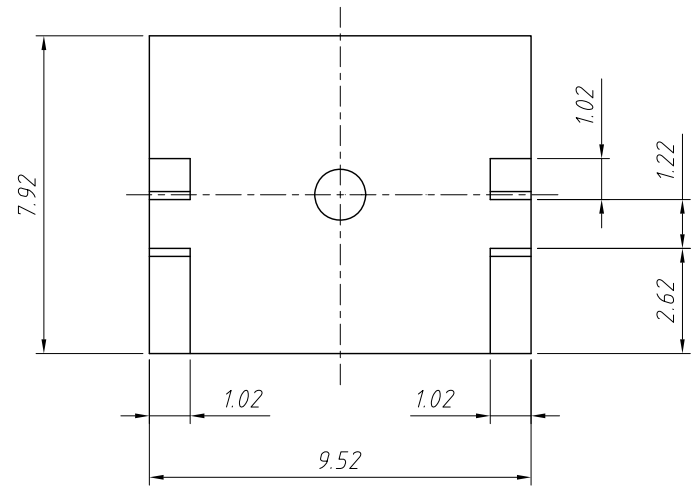
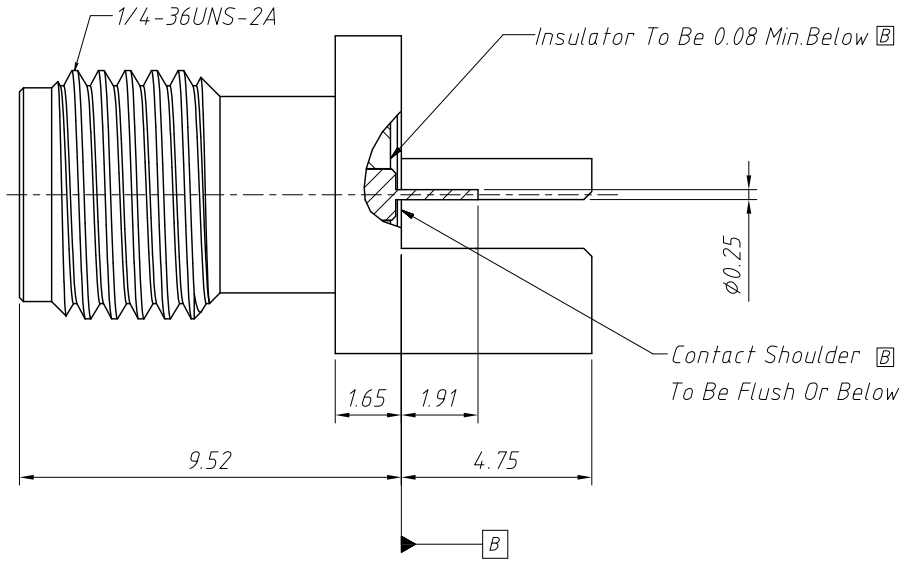
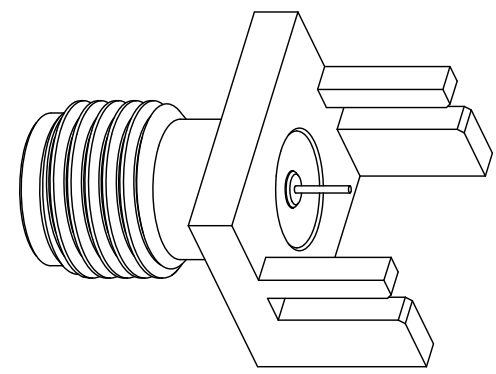


1
RoHS Compliance



- Material:**
- 1.Body:Brass,Gold Plating
 - 2.Insulator:PTFE,Neutral
 - 3.Contact Pin:Beryllium Copper,Gold Plating
- Electrical Specifications:**
- 1.Impedance:50Ω
 - 2.Frequency Range:DC-18GHz
 - 3.VSWR:1.28 Max
 - 4.Dielectric Withstanding Voltage:1000 vrms Min
- Mechanical:**
- 1.Durability:500 Cycles Min.
 - 2.Temperature Range:- 65°C to +165°C



ANGLE TOLERANCE	PROJECTION	Description:	RF Connector SMA PCB End Launch Jack Female 50Ω	
±3°				
GENERAL TOLERANCE	UNITS	mm	KLS P/N:	L-KLS1-SMA066
x.x ±0.30	SHEET SIZE	A4		
x.xx ±0.20	Draw:	Daniel	2020-11-11	
x.xxx ±0.10	Check:	Daniel	2020-11-11	

NingBo KLS ELECTRONIC CO.,L TD.