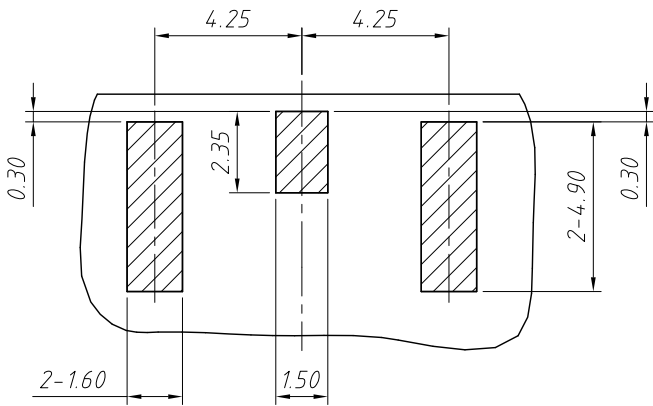
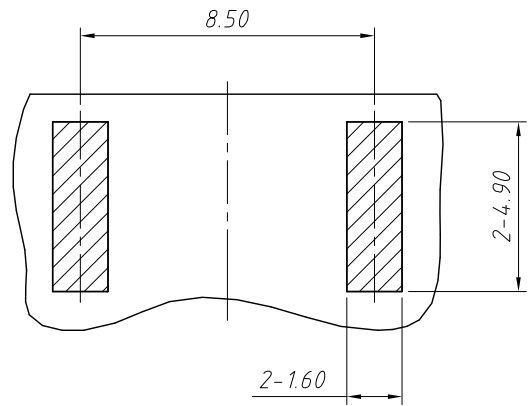


1
RoHS Compliance



TOP VIEW

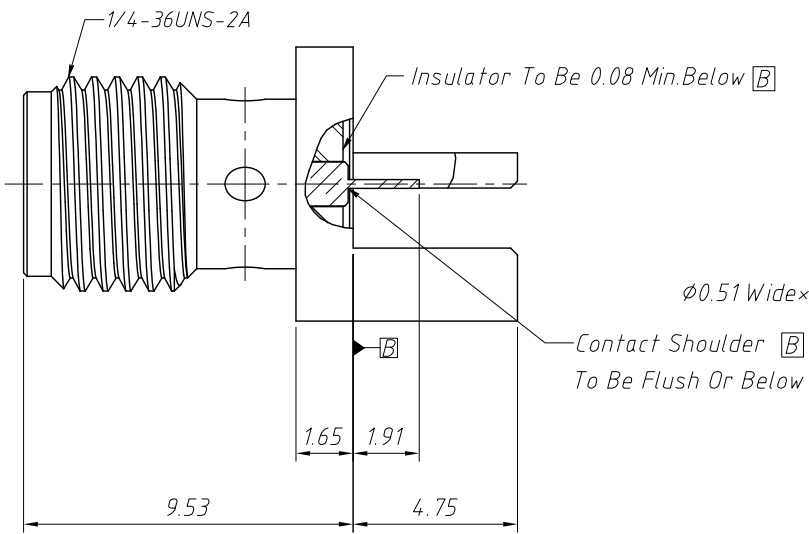
RECOMMENDED PCB LAYOUT



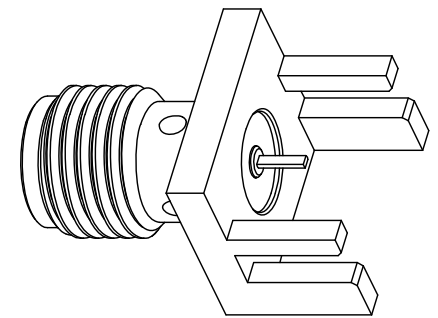
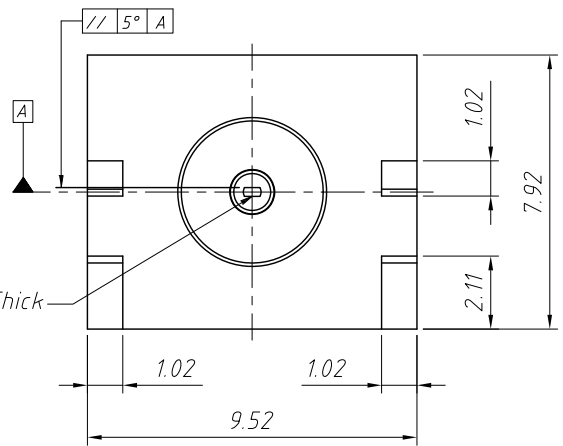
BOTTOM VIEW

- Material:**
- 1.Body:Brass,Gold Plating
 - 2.Insulator:PTFE,Neutral
 - 3.Contact Pin:Ber.Copper,Gold Plating

- Electrical Specifications:**
- 1.Impedance:50Ω
 - 2.Frequency Range:DC-18GHz
 - 3.VSWR:Not Applicable
 - 4.Dielectric Withstanding Voltage:1000 vrms Min
 - 5.Durability:500 Cycles Min.
 - 6.Temperature Range:- 65°C to +165°C
 - 7.Contact Pin Must Withstand 6 LBS Min .
Axial In Both Directions And 4 IN-OZ Min .
Radial Force
 - 8.Bottom Of Contact To Be In Line With
Mounting Leg Within
 - 9.Board Thickness=1.57mm



∅0.51 Wide×0.25 Thick



ANGLE TOLERANCE	PROJECTION	Description:	RF Connector SMA PCB End Launch Jack Female 50Ω
±3°			
GENERAL TOLERANCE	UNITS	mm	KLS P/N: L-KLS1-SMA063
x.x ±0.30	SHEET SIZE	A4	
x.xx ±0.20	Draw:	Daniel	2020-11-11
x.xxx ±0.10	Check:	Daniel	2020-11-11

