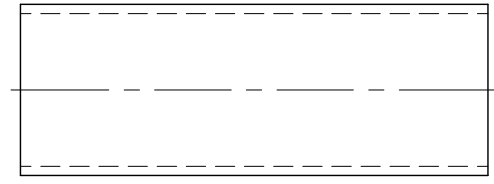
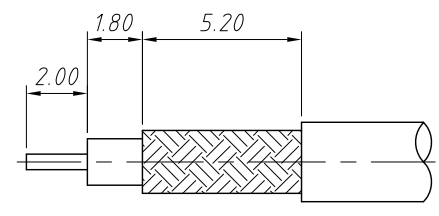
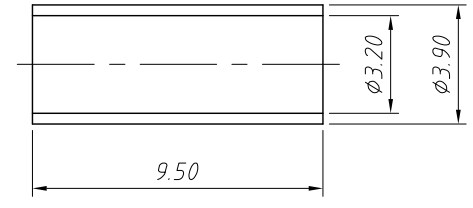
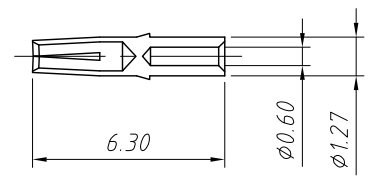
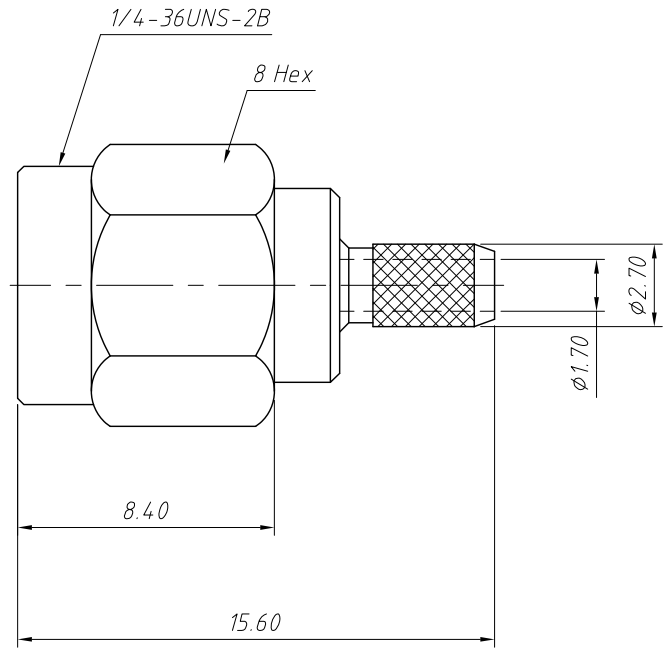


1
RoHS Compliance



Material:
 Body: Brass, Gold Plating
 Contact Pin: Ber. Copper, Gold Plating
 Insulator: PTFE, Natural
 Ferrule: Copper, Gold Plating
 Heat Shrink Tubing: Blak

Note:
 Impedance: 50Ω
 Crimped Ferrule Hex Crimp Size 3.25
 Contact Pin To Solder

ANGLE TOLERANCE	PROJECTION	Description:	SMA Cable Connector Straight (Plug, Female, 50Ω)	
±3°				
GENERAL TOLERANCE	UNITS	mm	KLS P/N:	L-KLS1-SMA014
x.x ±0.30	SHEET SIZE	A4		
x.xx ±0.20	Draw:	Daniel	2020-11-11	NingBo KLS ELECTRONIC CO.,LTD.
x.xxx ±0.10	Check:	Daniel	2020-11-11	