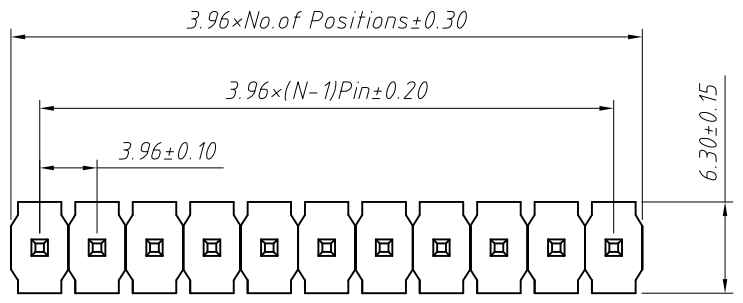
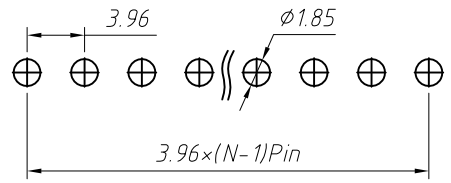


1
RoHS Compliance



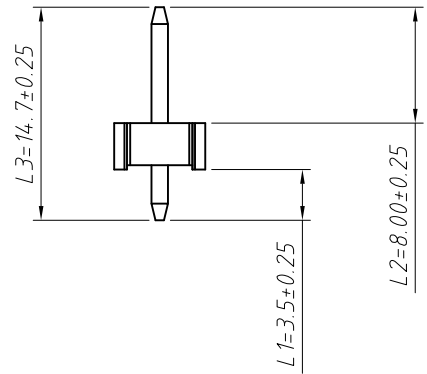
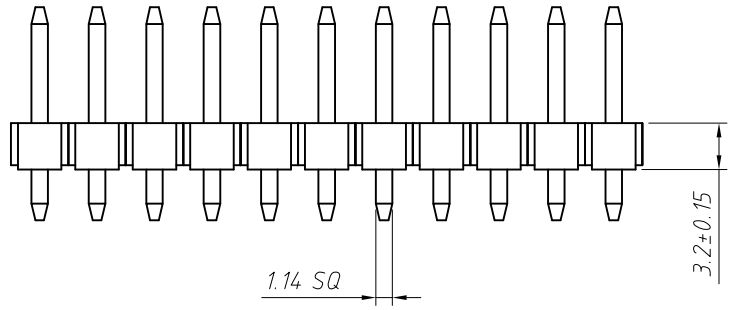
Recommended PCB Layout (Top Side)
(PCB Board Tolerance ± 0.05)



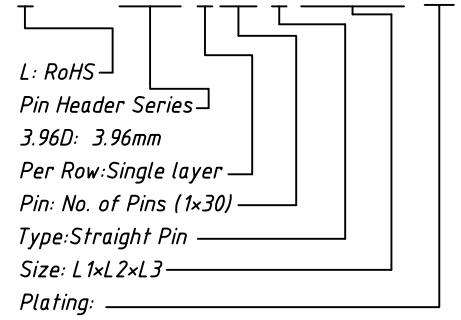
Material:
Standard: LCP
Contact: Brass
Insulator: Polyester, UL 94V-0

Electrical Characteristics:
Rated Current: 5AMP
Contact Resistance: 20mΩ Max
Withstand Voltage: 500V AC/DC
Insulator Resistance: 1000MΩ Min

Mechanical
Operating Temperature: -40°C ~ +105°C
Max. Processing Temp: 230°C for 30-60 seconds (260°C for 5 seconds)



Order Information:
L-KLS1-3.96D-1-XX-S-L1xL2xL3-SN



Plating:
G0=Gold Flash G1=1u" Gold
G10=10u" Gold G15=15u" Gold
G30=30u" Gold SN= Tin

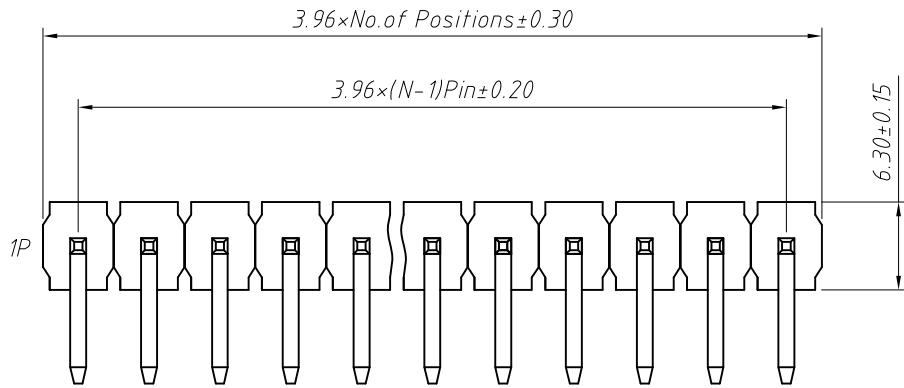
Dimension antitheses list (mm)

ITEM	L1	L2	L3	Plastic Height
Standard	3.5	8.00	14.7	3.2
Nonstandard	---	---	---	---

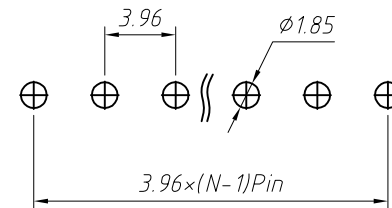
ANGLE TOLERANCE	PROJECTION	Description:	3.96x3.2 Pin Header	
±3°		Single layer, Straight Pin, 1xN Pin		
GENERAL TOLERANCE	UNITS	mm	KLS P/N:	L-KLS1-3.96D-1-XX-S-L1xL2xL3-SN
x.x ±0.30	SHEET SIZE	A4		
x.xx ±0.20	Draw:	Daniel	2018-07-10	
x.xxx ±0.10	Check:	Daniel	2018-07-10	

NingBo KLS ELECTRONIC CO.,L TD.

1 RoHS Compliance



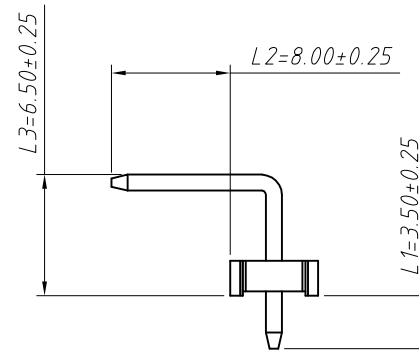
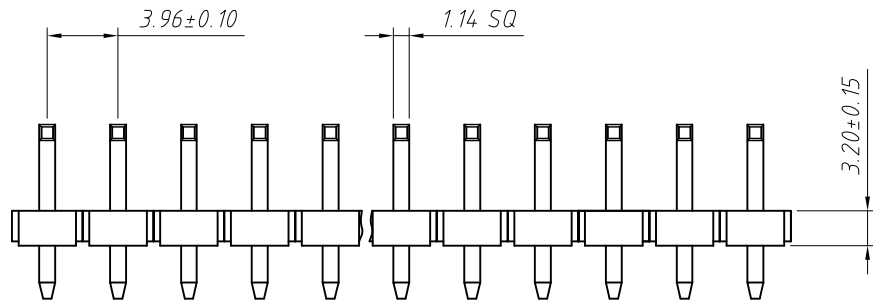
Recommended PCB Layout (Top Side)
(PCB Board Tolerance ± 0.05)



Material:
Standard: PA6T
Contact: Brass
Insulator: Polyester, UL94V-0

Electrical Characteristics:
Rated Current: 7AMP
Contact Resistance: 20mΩ Max
Withstand Voltage: 1000V AC/DC
Insulator Resistance: 1000MΩ Min

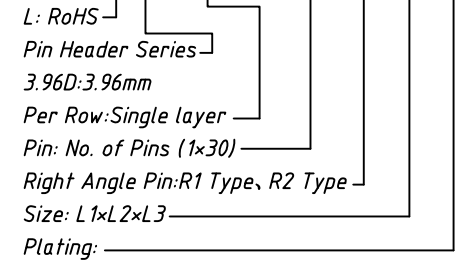
Mechanical
Operating Temperature: -40°C ~ +105°C
Max. Processing Temp: 230°C for 30-60 seconds (260°C for 5 seconds)



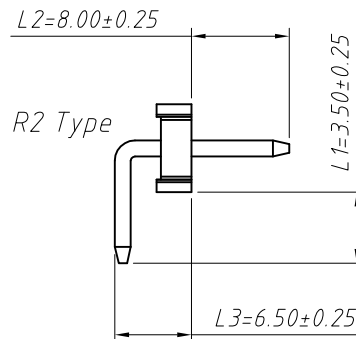
R1 Type

Order Information:

L-KLS1-3.96D-1-XX-R1-L1xL2xL3-SN



Plating:
G0=Gold Flash G1=1u" Gold
G10=10u" Gold G15=15u" Gold
G30=30u" Gold SN=Tin



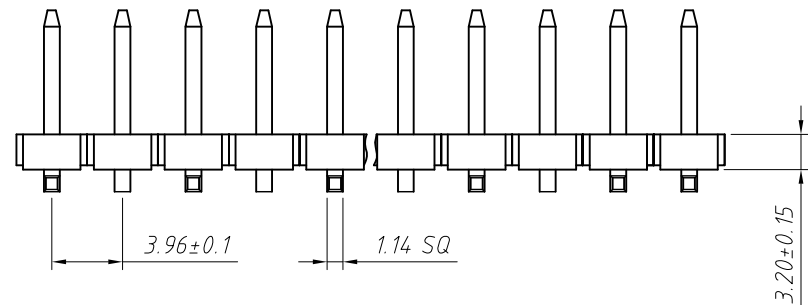
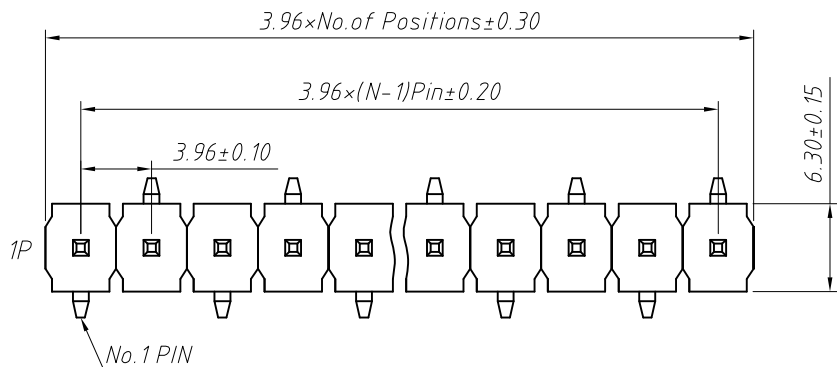
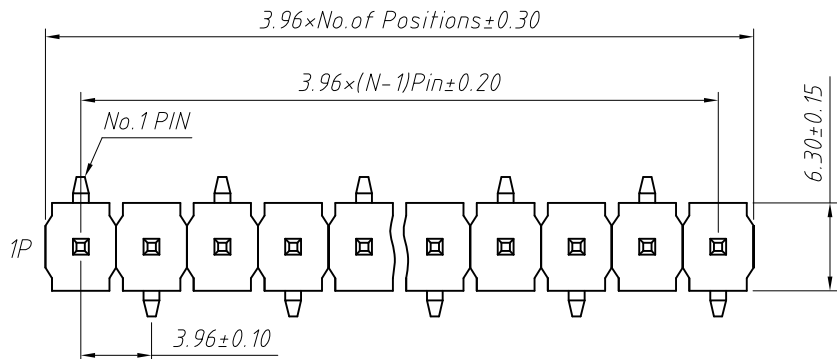
R2 Type

Dimension antitheses list (mm)				
ITEM	L1	L2	L3	Plastic Height
Standard	3.50	8.00	6.50	3.20
Nonstandard	---	---	---	---

ANGLE TOLERANCE	PROJECTION	Description:	3.96x3.2 Pin Header	
±3°		Single layer, Right Angle Pin, 1xN Pin		
GENERAL TOLERANCE	UNITS	mm	KLS P/N:	L-KLS1-3.96D-1-XX-R1-L1xL2xL3-SN
x.x ±0.30	SHEET SIZE	A4		
x.xx ±0.20	Draw:	Daniel	2018-07-10	
x.xxx ±0.10	Check:	Daniel	2018-07-10	

NingBo KLS ELECTRONIC CO.,LTD.

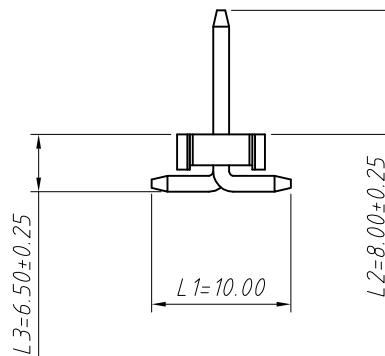
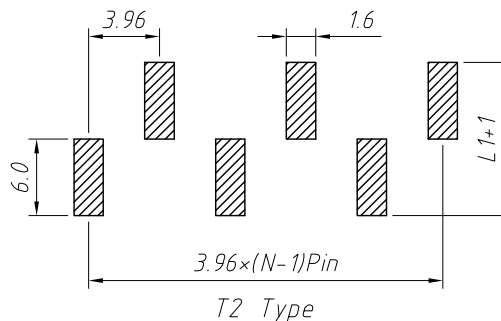
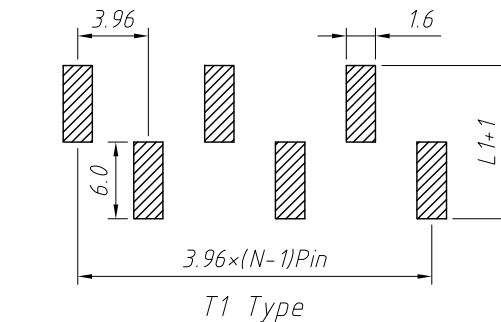
RoHS Compliance



Dimension antitheses list (mm)

ITEM	L1	L2	L3	Plastic Height
Standard	10.00	8.00	6.50	3.20
Nonstandard	---	---	---	---

Recommended PCB Layout (Top Side)
(PCB Board Tolerance ± 0.05)



Material:
Standard: LCP
Contact: Brass
Insulator: Polyester, UL 94 V-0

Electrical Characteristics:
Rated Current: 7AMP
Contact Resistance: 20mΩ Max
Withstand Voltage: 1000V AC/DC
Insulator Resistance: 1000MΩ Min

Mechanical
Operating Temperature: -40°C ~ +105°C
Max. Processing Temp: 230°C for 30-60 seconds (260°C for 5 seconds)

Order Information:
L-KLS1-3.96D-1-XX-T1-L1xL2xL3-SN

L: RoHS
Pin Header Series
3.96D: 3.96mm
Per Row: Single layer
Pin: No. of Pins (1x30)
SMT Pin: T1 Type, T2 Type
Size: L1xL2xL3
Plating:
G0=Gold Flash G1=1u" Gold
G10=10u" Gold G15=15u" Gold
G30=30u" Gold SN= Tin

ANGLE TOLERANCE	PROJECTION	Description:
±3°		3.96x3.2 Pin Header Single layer, SMT, 1xN Pin
GENERAL TOLERANCE	UNITS	mm
x.x ±0.30	SHEET SIZE	A4
x.xx ±0.20	Draw:	Daniel 2018-07-10
x.xxx ±0.10	Check:	Daniel 2018-07-10



NingBo KLS ELECTRONIC CO., L TD.