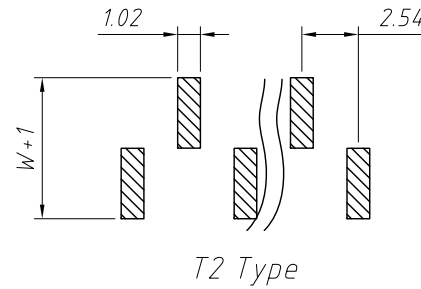
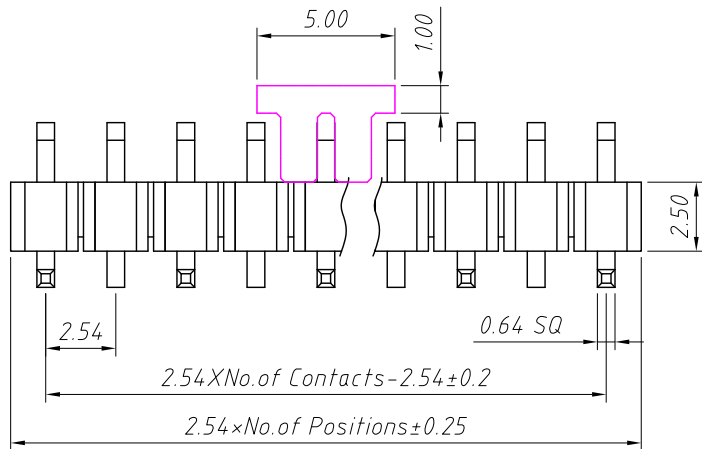
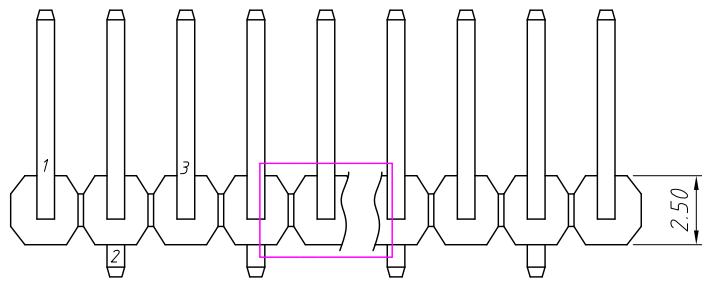
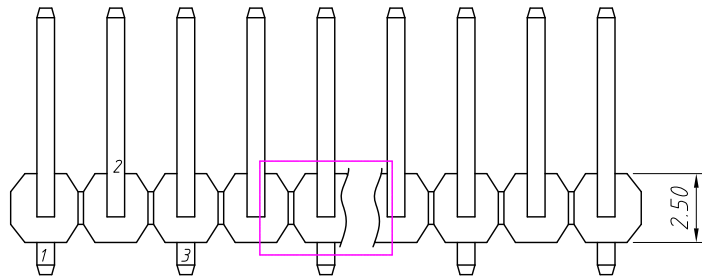
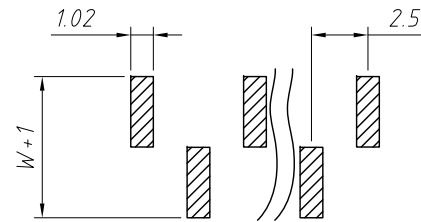


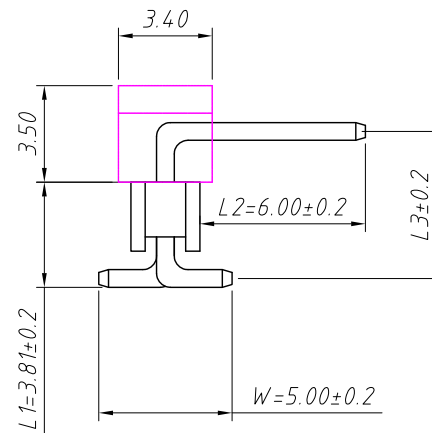
RoHS Compliance



T2 Type



T1 Type



Material:
Housing: PA6T
Contact: Brass

Electrical Characteristics:
Rated Current: 3AMP
Contact Resistance: 20mΩ Max
Withstand Voltage: 1000V AC/DC
Insulator Resistance: 1000MΩ Min
Withstanding Voltage: AC 500V

Mechanical
Operating Temperature: -40°C ~ +105°C

Order Information:

L-KLS1-207AB-1-XX-T1-L1xL2xL3xW-G0-N-R

L: RoHS
Pin Header Series-
207AB: 2.54mm
Per Row: Single layer
Pin: No. of Pins (1x40)
SMT Pin: T1 Type, T2 Type
Size: L1xL2xL3xW
Plating:
G0=Gold Flash G1=1u" Gold G10=10u" Gold
G15=15u" Gold G30=30u" Gold
Post: W=With Post N=W/O Post
Packing:
0=PE Bag A=Tray T=Tube
P=Tube+Cap R=Reel+Cap

Dimension antitheses list (mm)

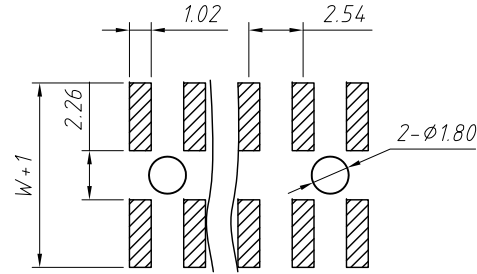
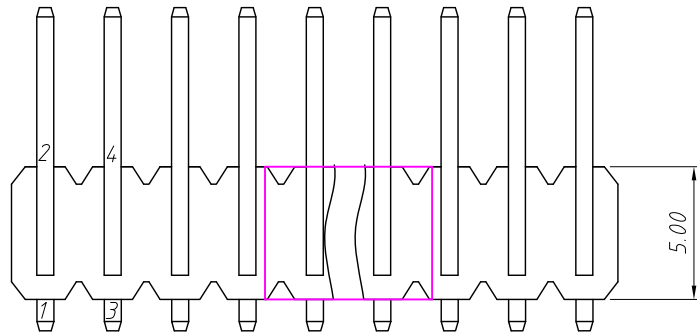
ITEM	L1	L2	L3	W	Plastic Height
Standard	3.81	6.00	---	5.00	2.50
Nonstandard	---	---	---	---	---

ANGLE TOLERANCE	PROJECTION	Description:
±3°		2.54x2.5Pin Header Single layer, 1xN Pin horizontal SMT
GENERAL TOLERANCE	UNITS	mm
x.x ±0.30	SHEET SIZE	A4
x.xx ±0.20	Draw:	Daniel 2018-07-10
x.xxx ±0.10	Check:	Daniel 2018-07-10



NingBo KLS ELECTRONIC CO.,L TD.

RoHS Compliance

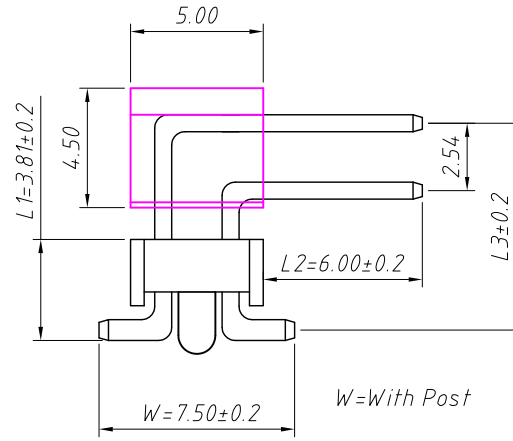
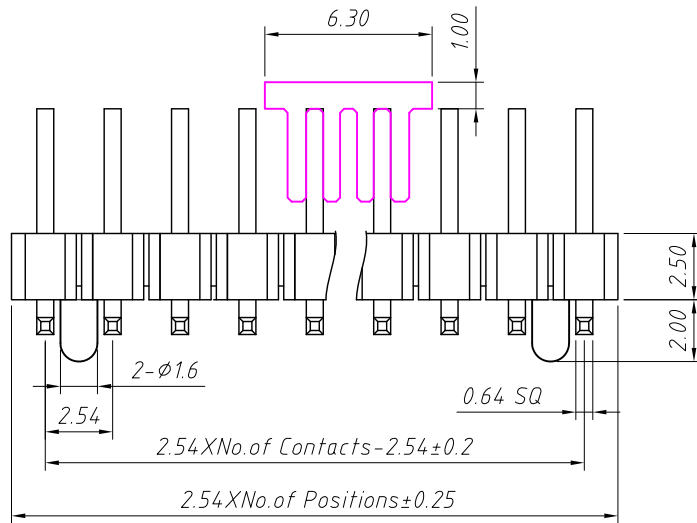


Recommended P.C.B Layout

Material:
Housing:PA6T
Contact: Brass

Electrical Characteristics:
Rated Current: 3AMP
Contact Resistance: 20mΩ Max
Withstand Voltage: 1000V AC/DC
Insulator Resistance: 1000MΩ Min
Withstanding Voltage: AC 500V

Mechanical
Operating Temperature: -40°C ~ +105°C



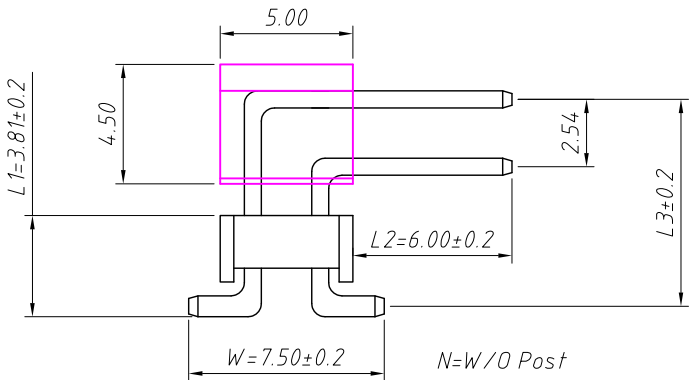
Order Information:

L-KLS1-207AB-2-XX-T-L1xL2xL3xW-G0-W-R

L: RoHS
Pin Header Series: 207AB:2.54mm
Per Row: Double layer
Pin: No. of Pins (02~80)
Type: Horizontal SMT
Size: L1xL2xL3xW
Plating:
G0=Gold Flash G1=1u" Gold G10=10u" Gold
G15=15u" Gold G30=30u" Gold
Post: W=With Post N=W/O Post
Packing:
0=PE Bag A=Tray T=Tube
P=Tube+Cap R=Reel+Cap

Dimension antitheses list (mm)

ITEM	L1	L2	L3	W	Plastic Height
Standard	3.81	6.00	---	7.50	2.50
Nonstandard	---	---	---	---	---

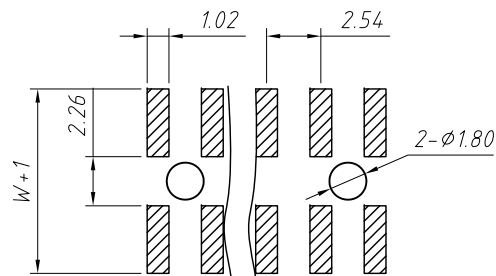
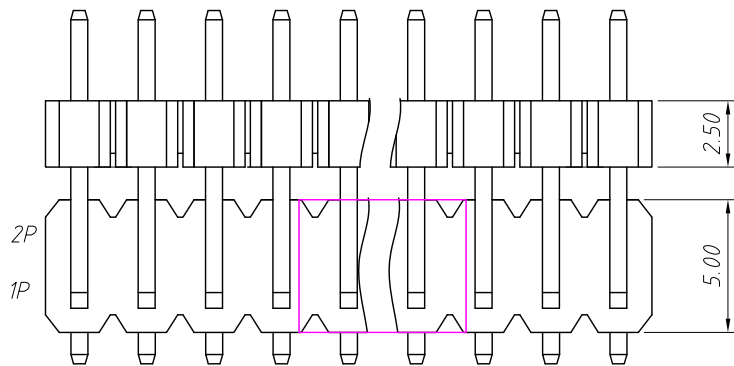


ANGLE TOLERANCE	PROJECTION	Description:
±3°		2.54x2.5Pin Header Double layer, 2xN Pin horizontal SMT
GENERAL TOLERANCE	UNITS	mm
x.x ±0.30	SHEET SIZE	A4
x.xx ±0.20	Draw:	Daniel 2018-07-10
x.xxx ±0.10	Check:	Daniel 2018-07-10



NingBo KLS ELECTRONIC CO.,L TD.

RoHS Compliance

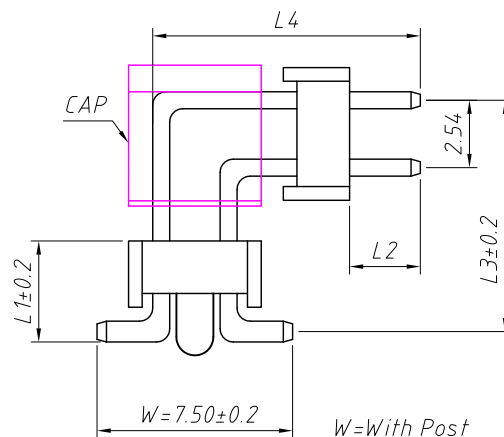
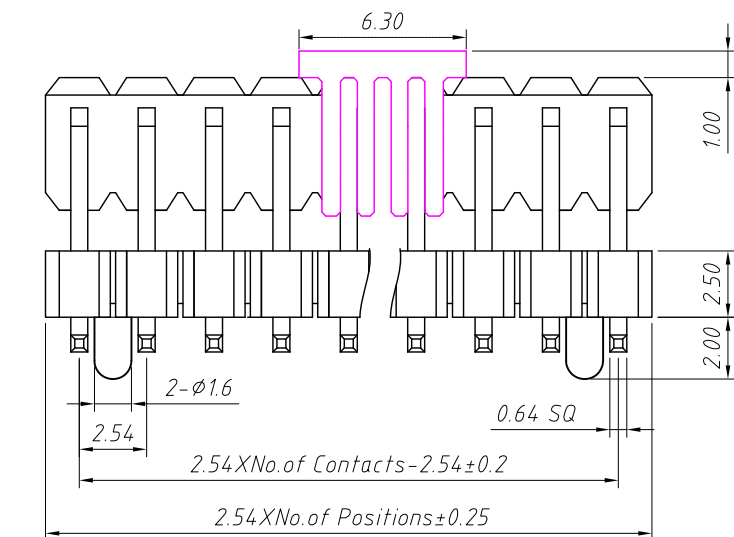


Recommended P.C.B Layout

Material:
Housing:PA6T
Contact: Brass

Electrical Characteristics:
Rated Current: 3AMP
Contact Resistance: 20mΩ Max
Withstand Voltage: 1000V AC/DC
Insulator Resistance: 1000MΩ Min
Withstanding Voltage: AC 500V

Mechanical
Operating Temperature: -40°C~+105°C

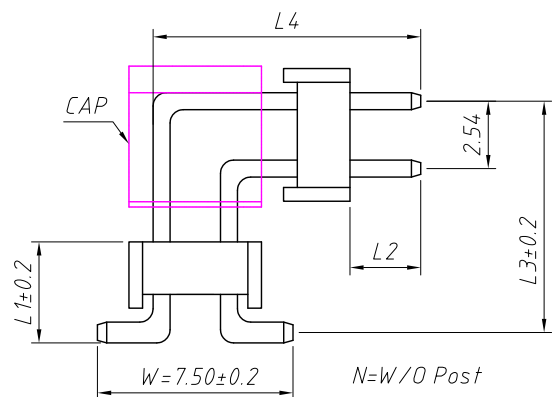


Order Information:

L-KLS1-207AB-2-XX-T1-L1xL2xxL3xL4xW-G0-W-R

L: RoHS
Pin Header Series
207AB:2.54mm
Per Row:Double layer
Pin: No. of Pins (02~80)
Type:SMT Double Plastics
Size:L1xL2xxL3xL4xW
Plating:
G0=Gold Flash G1=1u" Gold G10=10u" Gold
G15=15u" Gold G30=30u" Gold
Post:W=With Post N=W/O Post
Packing:
0=PE Bag A=Tray T=Tube
P=Tube+Cap R=Reel+Cap

Dimension antitheses list (mm)						
ITEM	L1	L2	L3	L4	W	Plastic Height
Standard	---	---	---	---	7.50	2.50
Nonstandard	---	---	---	---	---	---



ANGLE TOLERANCE	PROJECTION	Description:
±3°		2.54x2.5Pin Header Double layer,2xN Pin horizontal SMT
GENERAL TOLERANCE	UNITS	mm
x.x	±0.30	SHEET SIZE A4
x.xx	±0.20	Draw: Daniel 2018-07-10
x.xxx	±0.10	Check: Daniel 2018-07-10

NingBo KLS ELECTRONIC CO.,L TD.