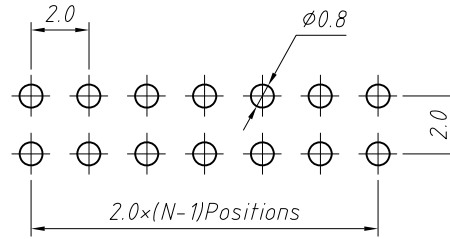
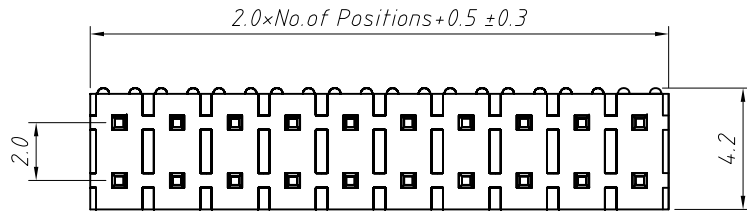


RoHS Compliance

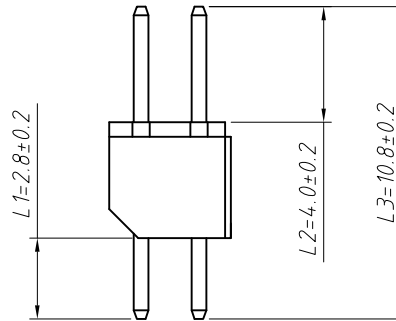
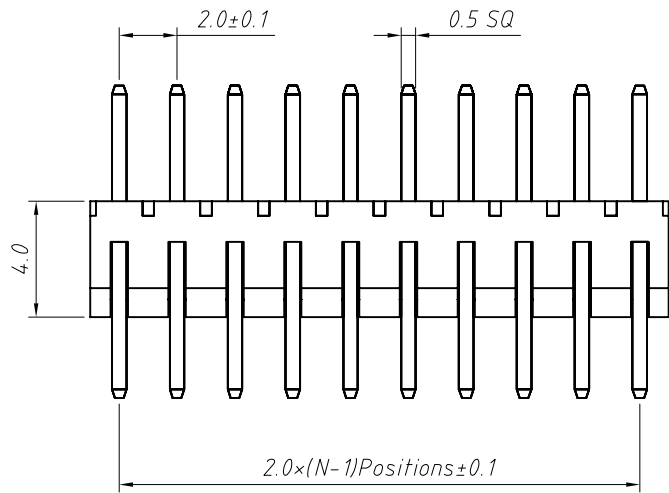


Recommended P.C.B Hole Layout

Material:
 Standard: PA6T
 Contact: Brass
 Insulator: Polyester, UL 94 V-0

Electrical Characteristics:
 Rated Current: 1.5AMP
 Contact Resistance: 20mΩ Max
 Withstand Voltage: 500V AC/DC
 Insulator Resistance: 1000MΩ Min

Mechanical
 Operating Temperature: -40°C ~ +105°C
 Max. Processing Temp: 240 for 30-60 seconds
 (260°C for 10 seconds)



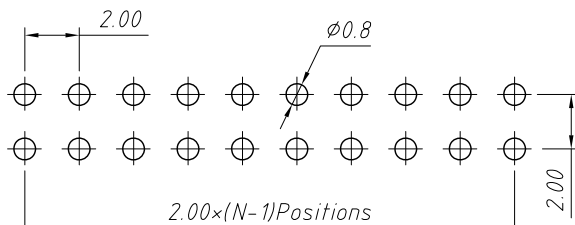
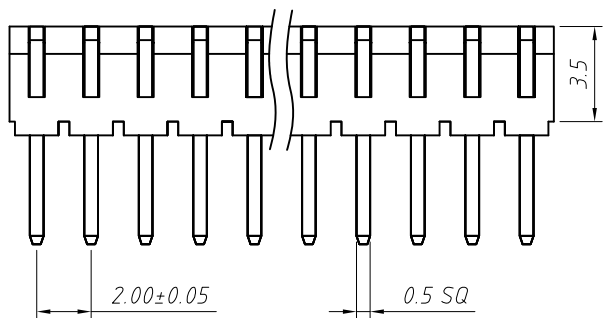
Order Information:
 L-KLS1-207BC-2-XX-S-L1xL2xL3-G0

L: RoHS
 Pin Header Series: 207BC: 2.00mm
 Per Row: Double layer
 Pin: No. of Pins (02~80)
 Type: Straight Pin
 Size: L1xL2xL3
 Plating:
 G0=Gold Flash G1=1u" Gold
 G10=10u" Gold G15=15u" Gold
 G30=30u" Gold

Dimension antitheses list (mm)				
ITEM	L1	L2	L3	Plastic Height
Standard	2.8	4.0	10.8	4.0
Nonstandard	---	---	---	---

ANGLE TOLERANCE	PROJECTION	Description:	2.00mm Pin Header
±3°			Double layer, Straight Pin, 2xN Pin
GENERAL TOLERANCE	UNITS	mm	KLS P/N: L-KLS1-207BC-2-XX-S-L1xL2xL3-G0
x.x ±0.30	SHEET SIZE	A4	NingBo KLS ELECTRONIC CO.,L TD.
x.xx ±0.20	Draw:	Daniel	
x.xxx ±0.10	Check:	Daniel	

RoHS Compliance

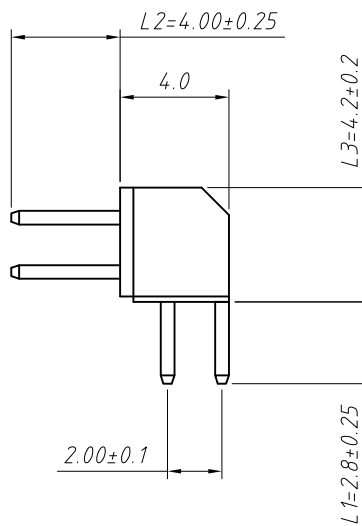
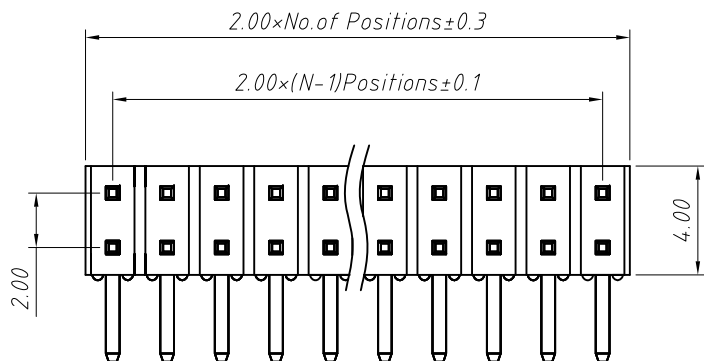


Recommended P.C.B Hole Layout

Material:
 Standard: PA6T
 Contact: Brass
 Insulator: Polyester, UL 94V-0

Electrical Characteristics:
 Rated Current: 1.5AMP
 Contact Resistance: 20mΩ Max
 Withstand Voltage: 500V AC/DC
 Insulator Resistance: 1000MΩ Min

Mechanical
 Operating Temperature: -40°C ~ +105°C
 Max. Processing Temp: 240 for 30-60 seconds
 (260°C for 10 seconds)



Order Information:
 L-KLS1-207BC-2-XX-R-L1xL2xL3-G0

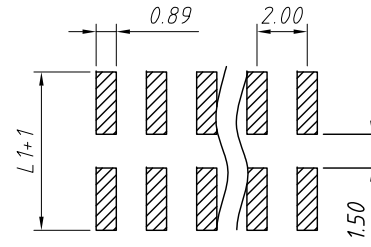
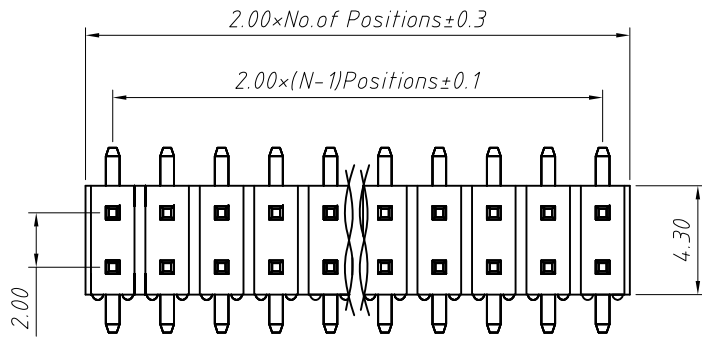
L: RoHS
 Pin Header Series
 207BC: 2.00mm
 Per Row: Double layer
 Pin: No. of Pins (02~80)
 Type: Right angle Pin
 Size: L1xL2xL3
 Plating:
 G0=Gold Flash G1=1u" Gold
 G10=10u" Gold G15=15u" Gold
 G30=30u" Gold

Dimension antitheses list (mm)

ITEM	L1	L2	L3	Plastic Height
Standard	2.80	4.00	4.20	4.00
Nonstandard	---	---	---	---

ANGLE TOLERANCE	PROJECTION	Description:	2.00mm Pin Header		
±3°		Double layer, Right angle Pin, 2xN Pin			
GENERAL TOLERANCE	UNITS	mm	KLS P/N:	L-KLS1-207BC-2-XX-R-L1xL2xL3-G0	
x.x ±0.30	SHEET SIZE	A4	NingBo KLS ELECTRONIC CO.,L TD.		
x.xx ±0.20	Draw:	Daniel			2018-07-10
x.xxx ±0.10	Check:	Daniel			2018-07-10

RoHS Compliance

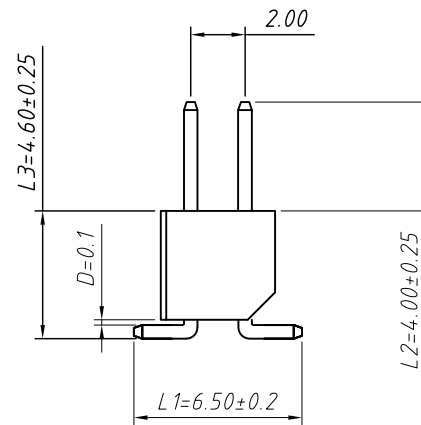
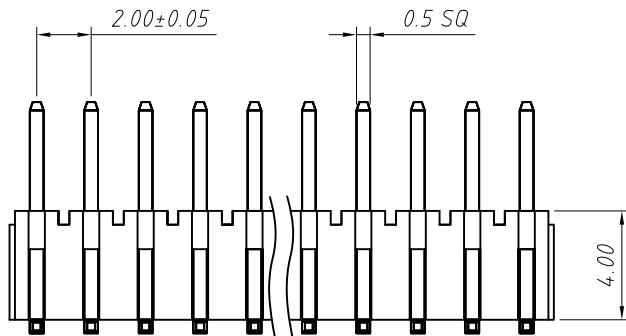


Recommended P.C.B Hole Layout

Material:
 Standard: PA6T
 Contact: Brass
 Insulator: Polyester, UL 94V-0

Electrical Characteristics:
 Rated Current: 1.5AMP
 Contact Resistance: 20mΩ Max
 Withstand Voltage: 500V AC/DC
 Insulator Resistance: 1000MΩ Min

Mechanical
 Operating Temperature: -40°C ~ +105°C
 Max. Processing Temp: 240 for 30-60 seconds
 (260°C for 10 seconds)



Order Information:
 L-KLS1-207BC-2-XX-T-L1xL2xL3xD-G0

L: RoHS
 Pin Header Series
 207BC: 2.00mm
 Per Row: Double layer
 Pin: No. of Pins (02~80)
 Type: SMT Pin
 Size: L1xL2xL3xD
 Plating:
 G0=Gold Flash G1=1u" Gold
 G10=10u" Gold G15=15u" Gold
 G30=30u" Gold

Dimension antitheses list (mm)

ITEM	L1	L2	L3	D	Plastic Height
Standard	6.50	4.00	4.60	0.10	4.00
Nonstandard	---	---	---	---	---

ANGLE TOLERANCE	PROJECTION	Description:
±3°		2.00mm Pin Header Double layer, SMT Pin, 2xN Pin
GENERAL TOLERANCE	UNITS	mm
x.x ±0.30	SHEET SIZE	A4
x.xx ±0.20	Draw:	Daniel 2018-07-10
x.xxx ±0.10	Check:	Daniel 2018-07-10



NingBo KLS ELECTRONIC CO., L TD.