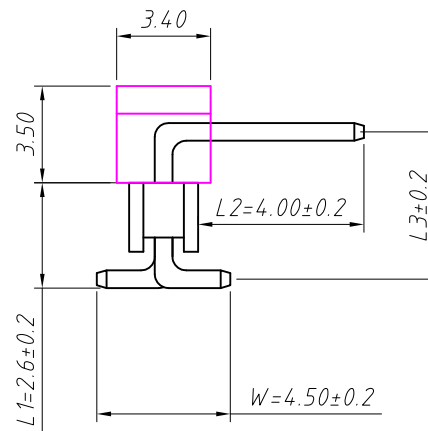
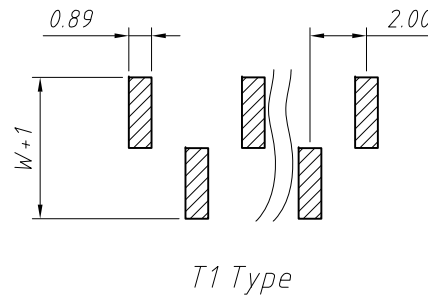
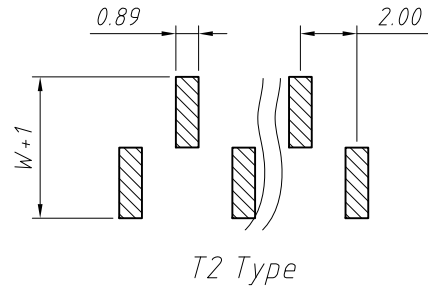
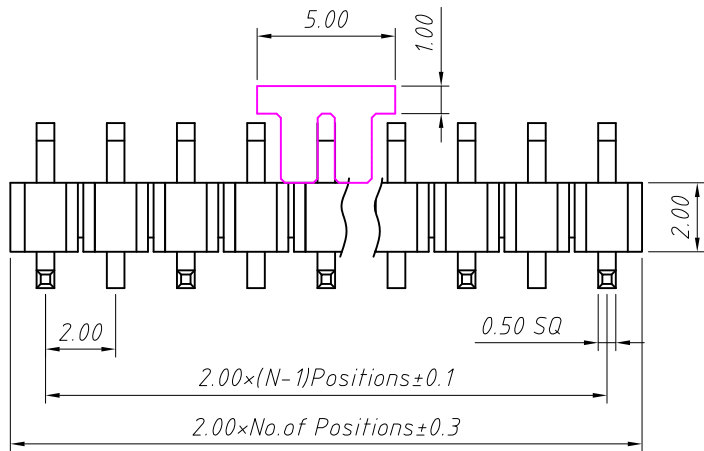
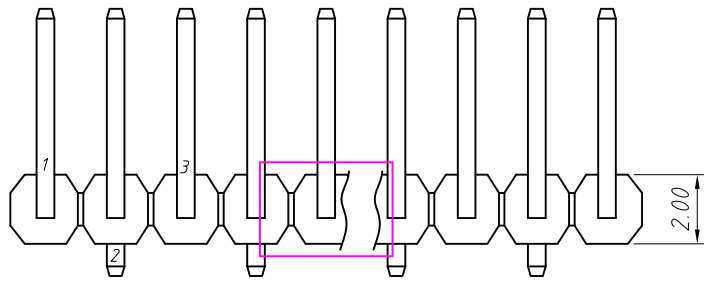
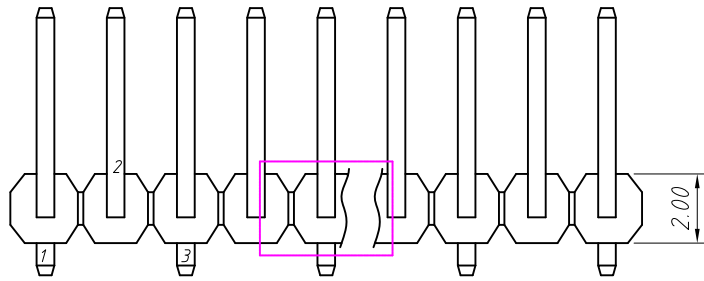


RoHS Compliance



Material:
Standard:PA6T
Contact:Brass
Insulator:Polyester,UL94V-0

Electrical Characteristics:
Rated Current: 1.5AMP
Contact Resistance: 20mΩ Max
Withstand Voltage: 500V AC/DC
Insulator Resistance: 1000MΩ Min

Mechanical
Operating Temperature: -40°C ~ +105°C
Max.Processing Temp:230 for 30-60 seconds
(260°C for 5seconds)

Order Information:
L-KLS1-207BB-1-XX-T1-L1xL2xL3xW-G0-N-R

L: RoHS
Pin Header Series: 207BB:2.00mm
Per Row: Single layer
Pin: No. of Pins (1x40)
SMT Pin: T1 Type, T2 Type
Size: L1xL2xL3xW
Plating:
G0=Gold Flash G1=1u" Gold G10=10u" Gold
G15=15u" Gold G30=30u" Gold
Post:W=With Post N=W/O Post
Packing:
0=PE Bag A=Tray T=Tube
P=Tube+Cap R=Reel+Cap

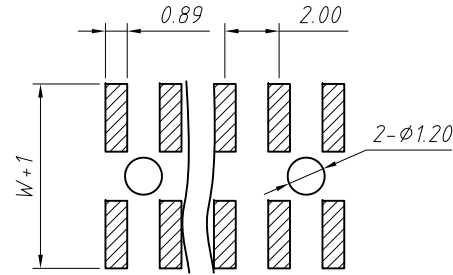
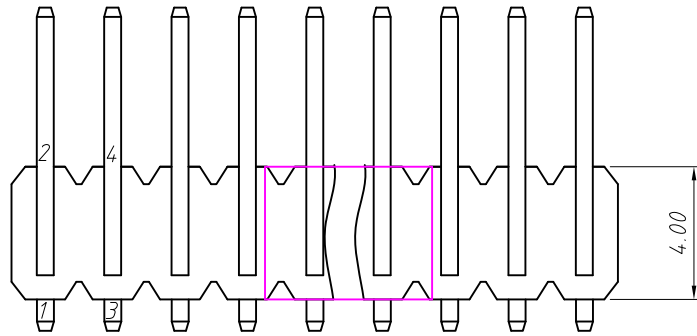
Dimension antitheses list (mm)					
ITEM	L1	L2	L3	W	Plastic Height
Standard	2.60	4.00	---	4.50	2.00
Nonstandard	---	---	---	---	---

ANGLE TOLERANCE	PROJECTION	Description:	2.00mm Pin Header	
±3°		Single layer, 1xN Pin horizontal SMT		
GENERAL TOLERANCE	UNITS	mm	KLS P/N:	L-KLS1-207BB-1-XX-T1-L1xL2xL3xW-G0-N-R
x.x ±0.30	SHEET SIZE	A4		
x.xx ±0.20	Draw:	Daniel	2018-07-10	
x.xxx ±0.10	Check:	Daniel	2018-07-10	



NingBo KLS ELECTRONIC CO.,L TD.

RoHS Compliance



Recommended P.C.B Layout

Material:
Standard:PA6T
Contact:Brass
Insulator:Polyester,UL94V-0

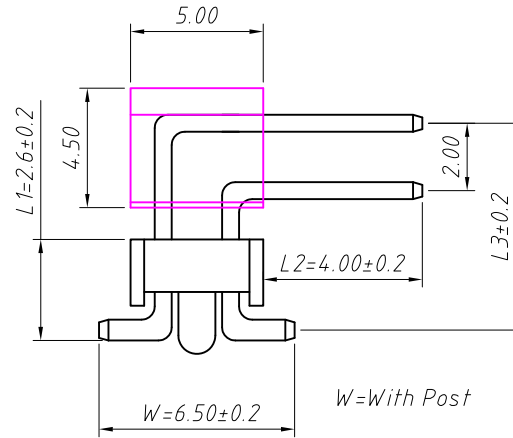
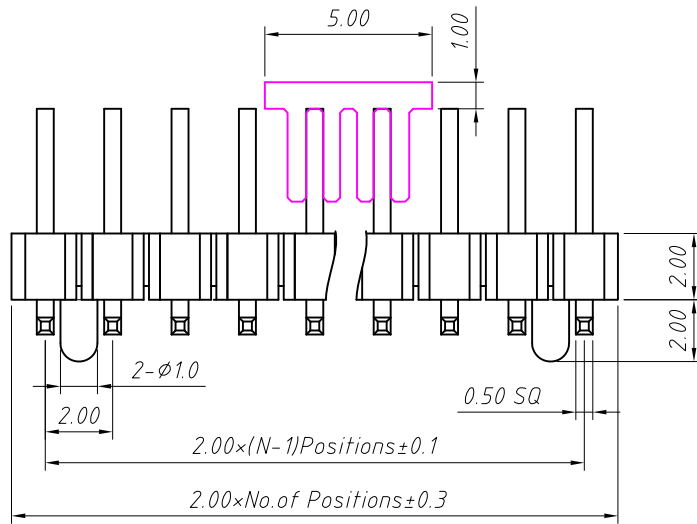
Electrical Characteristics:
Rated Current: 15AMP
Contact Resistance: 20mΩ Max
Withstand Voltage: 500V AC/DC
Insulator Resistance: 1000MΩ Min

Mechanical
Operating Temperature: -40°C ~ +105°C
Max.Processing Temp:230 for 30-60 seconds
(260°C for 5seconds)

Order Information:

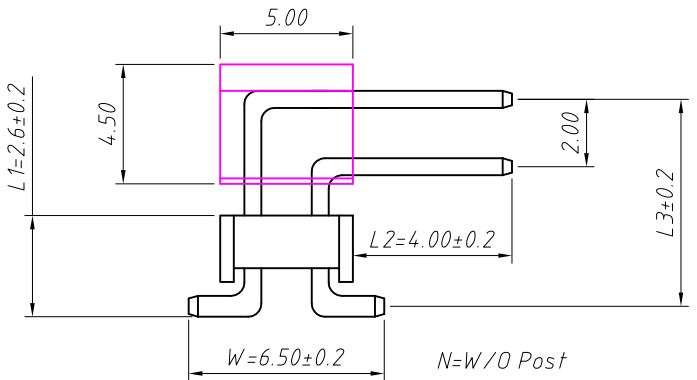
L-KLS1-207BB-2-XX-T-L1xL2xL3xW-G0-W-R

L: RoHS
Pin Header Series-
207BB:2.00mm
Per Row:Double layer
Pin: No. of Pins (2~80)
Type:Horizontal SMT
Size:L1xL2xL3xW
Plating:
G0=Gold Flash G1=1u" Gold G10=10u" Gold
G15=15u" Gold G30=30u" Gold
Post:W=With Post N=W/O Post
Packing:
0=PE Bag A=Tray T=Tube
P=Tube+Cap R=Reel+Cap



Dimension antitheses list (mm)

ITEM	L1	L2	L3	W	Plastic Height
Standard	2.60	4.00	---	6.50	2.00
Nonstandard	---	---	---	---	---

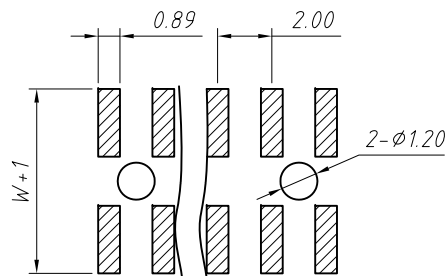
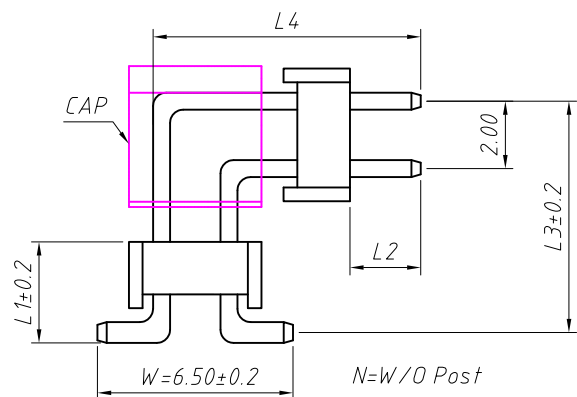
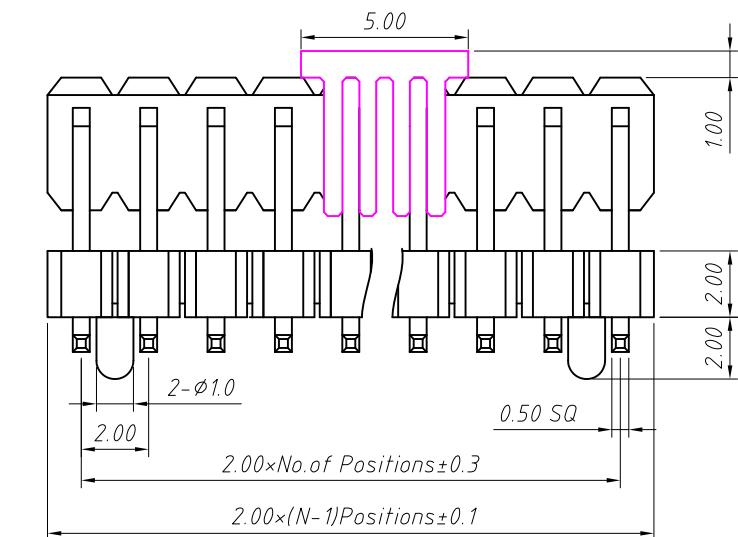
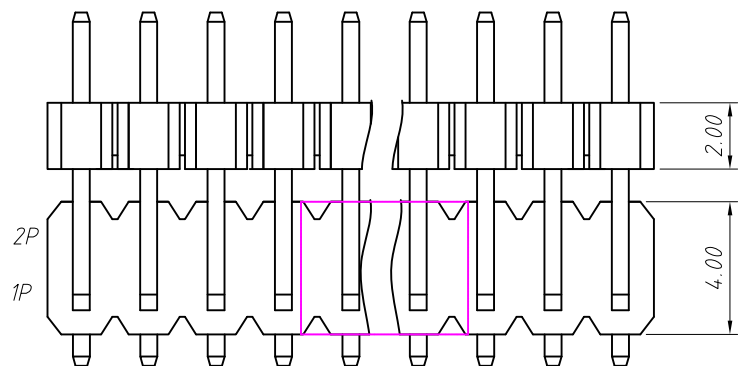


ANGLE TOLERANCE	PROJECTION	Description:
±3°		2.00mm Pin Header Double layer, 2xN Pin horizontal SMT
GENERAL TOLERANCE	UNITS	mm
x.x	±0.30	SHEET SIZE A4
x.xx	±0.20	Draw: Daniel 2018-07-10
x.xxx	±0.10	Check: Daniel 2018-07-10

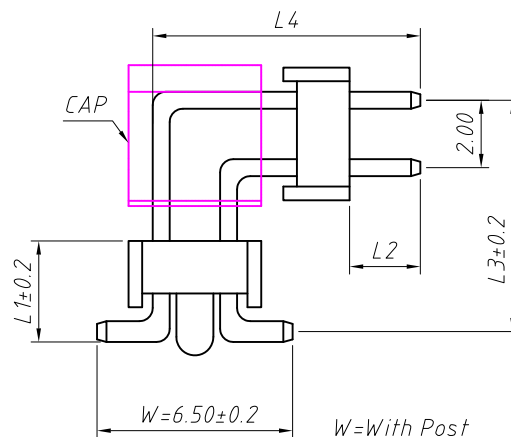


NingBo KLS ELECTRONIC CO.,L TD.

RoHS Compliance



Recommended P.C.B Layout



Dimension antitheses list (mm)						
ITEM	L1	L2	L3	L4	W	Plastic Height
Standard	---	---	---	---	6.50	2.00
Nonstandard	---	---	---	---	---	---

Material:
Standard:PA6T
Contact:Brass
Insulator:Polyester,UL94V-0

Electrical Characteristics:
Rated Current: 1.5AMP
Contact Resistance: 20mΩ Max
Withstand Voltage: 500V AC/DC
Insulator Resistance: 1000MΩ Min

Mechanical
Operating Temperature: -40°C~+105°C
Max.Processing Temp:230 for 30-60 seconds
(260°C for 5seconds)

Order Information:

L-KLS1-207BB-2-XX-T1-L1xL2xxL3xL4xW-G0-W-R

L: RoHS
Pin Header Series
207BB:2.00mm
Per Row:Double layer
Pin: No. of Pins (2~80)
Type:SMT Double Plastics
Size:L1xL2xxL3xL4xW
Plating:
G0=Gold Flash G1=1u" Gold G10=10u" Gold
G15=15u" Gold G30=30u" Gold
Post:W=With Post N=W/O Post
Packing:
0=PE Bag A=Tray T=Tube
P=Tube+Cap R=Reel+Cap

ANGLE TOLERANCE	PROJECTION	Description:
±3°		2.00mm Pin Header Double layer,2xN Pin horizontal SMT
GENERAL TOLERANCE	UNITS	mm
x.x ±0.30	SHEET SIZE	A4
x.xx ±0.20	Draw:	Daniel
x.xxx ±0.10	Check:	Daniel
KLS P/N:		L-KLS1-207BB-2-XX-L1xL2xxL3xL4xW-G0-W-R

NingBo KLS ELECTRONIC CO.,L TD.