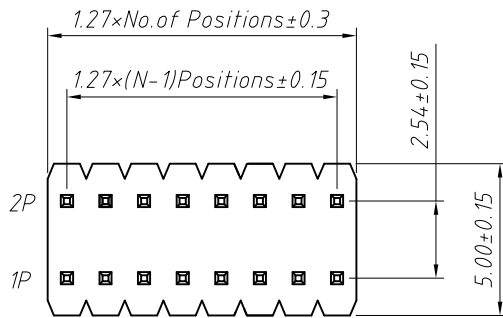
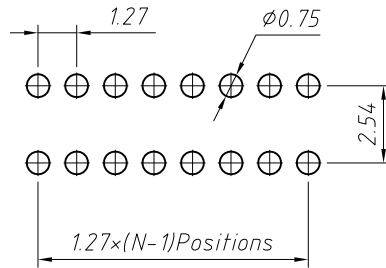


RoHS Compliance



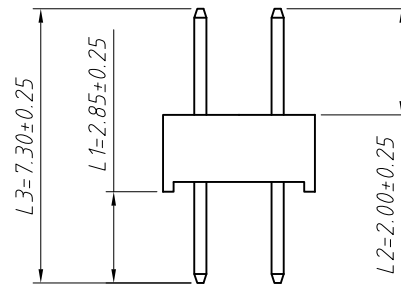
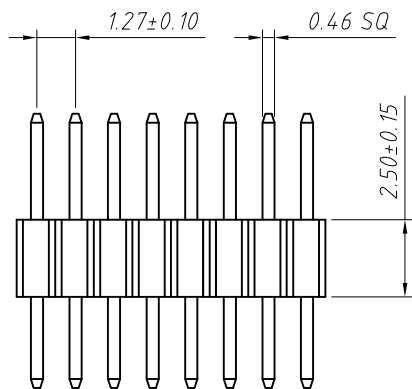
Recommended P.C.B Hole Layout



**Material:**  
**Standard:** PA6T  
**Contact:** Brass  
**Insulator:** Polyester, UL 94 V-0

**Electrical Characteristics:**  
**Rated Current:** 1.0AMP  
**Contact Resistance:** 20mΩ Max  
**Withstand Voltage:** 500V AC/DC  
**Insulator Resistance:** 1000MΩ Min

**Mechanical**  
**Operating Temperature:** -40°C ~ +105°C  
**Max. Processing Temp:** 230°C for 30-60 seconds  
 (260°C for 10 seconds)



**Order Information:**  
**L-KLS1-207D-2-XX-S-L1xL2xL3-G0**

**L:** RoHS  
**Pin Header Series:** 207D: 1.27mm  
**Per Row:** Double layer  
**Pin: No. of Pins (02~100)**  
**Type:** Straight Pin  
**Size:** L1xL2xL3  
**Plating:**  
 G0=Gold Flash    G1=1u" Gold  
 G10=10u" Gold    G15=15u" Gold  
 G30=30u" Gold

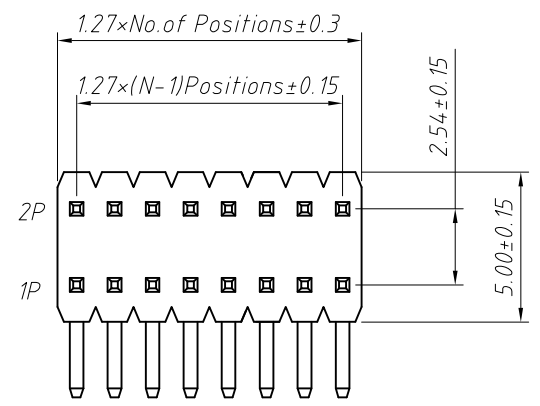
Dimension antitheses list (mm)				
ITEM	L1	L2	L3	Plastic Height
Standard	2.85	2.00	7.30	2.50
Nonstandard	---	---	---	---

ANGLE TOLERANCE	PROJECTION	Description:
±3°		1.27mm Pin Header Double layer, Straight Pin, 2xN Pin
GENERAL TOLERANCE	UNITS	mm
x.x ±0.30	SHEET SIZE	A4
x.xx ±0.20	Draw:	Daniel 2018-07-10
x.xxx ±0.10	Check:	Daniel 2018-07-10

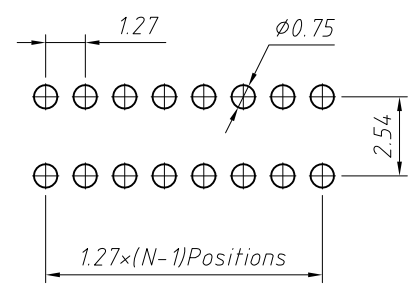


NingBo KLS ELECTRONIC CO.,L TD.

1  
RoHS Compliance



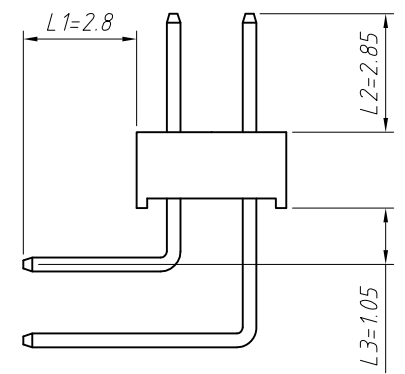
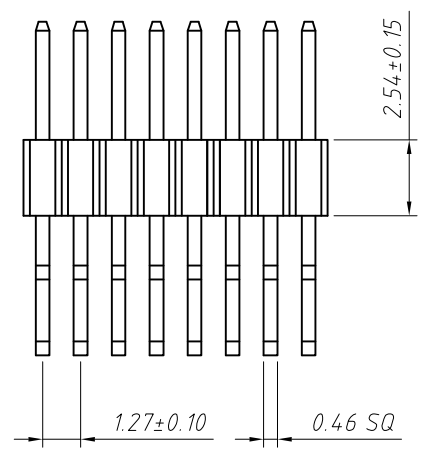
Recommended P.C.B Hole Layout



Material:  
Standard:PA6T  
Contact: Brass  
Insulator:Polyester,UL94V-0

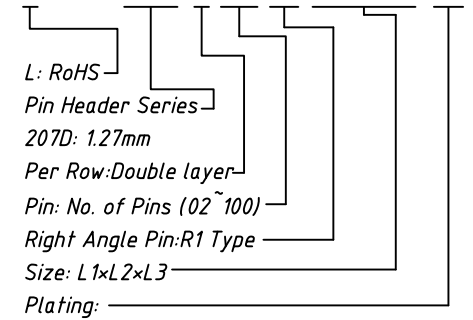
Electrical Characteristics:  
Rated Current: 1.0AMP  
Contact Resistance: 20mΩ Max  
Withstand Voltage: 500V AC/DC  
Insulator Resistance: 1000MΩ Min

Mechanical  
Operating Temperature: -40°C ~ +105°C  
Max.Processing Temp:230°C for 30-60 seconds  
(260°C for 10 seconds)



R1 Type

Order Information:  
L-KLS1-207D-2-XX-R1-L1xL2xL3-G0



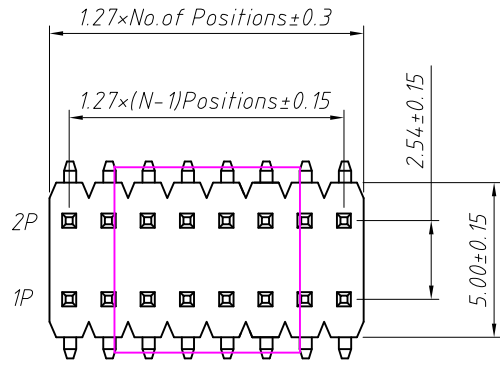
L: RoHS  
Pin Header Series  
207D: 1.27mm  
Per Row:Double layer  
Pin: No. of Pins (02~100)  
Right Angle Pin:R1 Type  
Size: L1xL2xL3  
Plating:  
G0=Gold Flash G1=1u" Gold  
G10=10u" Gold G15=15u" Gold  
G30=30u" Gold

Dimension antitheses list (mm)

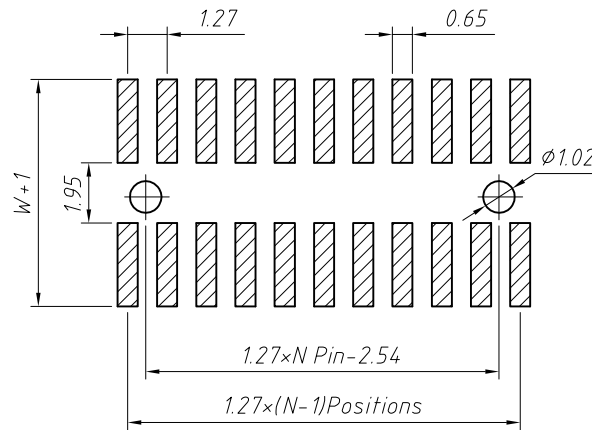
ITEM	L1	L2	L3	Plastic Height
Standard	2.80	2.85	1.05	2.54
Nonstandard	---	---	---	---

ANGLE TOLERANCE	PROJECTION	Description:	1.27mm Pin Header	
±3°		Double layer,Right Angle Pin,2xN Pin		
GENERAL TOLERANCE	UNITS	mm	KLS P/N:	L-KLS1-207D-2-XX-R1-L1xL2xL3-G0
x.x ±0.30	SHEET SIZE	A4		NingBo KLS ELECTRONIC CO.,L TD.
x.xx ±0.20	Draw:	Daniel	2018-07-10	
x.xxx ±0.10	Check:	Daniel	2018-07-10	

RoHS Compliance



Recommended P.C.B Hole Layout



Material:  
Standard: PA6T  
Contact: Brass  
Insulator: Polyester, UL 94V-0

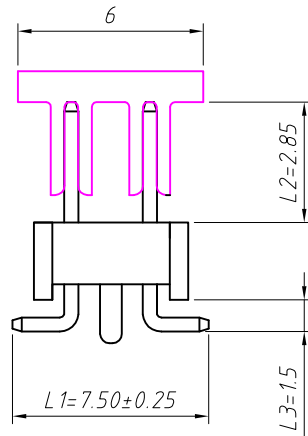
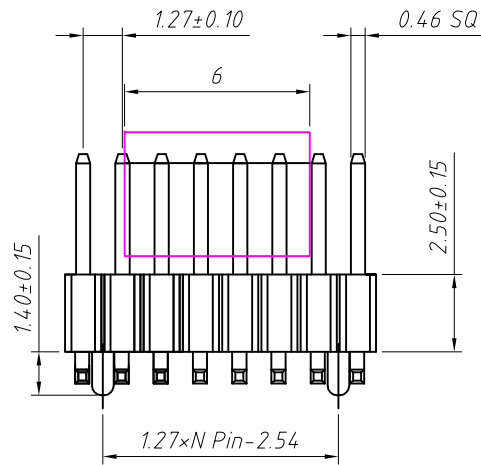
Electrical Characteristics:  
Rated Current: 1.0AMP  
Contact Resistance: 20mΩ Max  
Withstand Voltage: 500V AC/DC  
Insulator Resistance: 1000MΩ Min

Mechanical  
Operating Temperature: -40°C ~ +105°C  
Max. Processing Temp: 230°C for 30-60 seconds  
(260°C for 10 seconds)

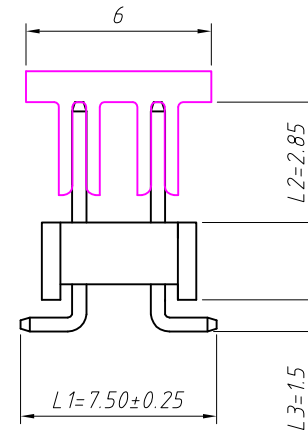
Order Information:

L-KLS1-207D-2-XX-T-L1xL2xL3-G0-R

L: RoHS  
Pin Header Series  
207D: 1.27mm  
Per Row: Double layer  
Pin: No. of Pins (02~100)  
SMT:  
T=Without Post, T3=With Post  
Size: L2xL4xW  
Plating:  
G0=Gold Flash G1=1u" Gold  
G10=10u" Gold G15=15u" Gold  
G30=30u" Gold  
Packing:  
0=PE Bag A=Tray T=Tube  
P=Tube+Cap R=Reel+Cap



T3=With Post



T=Without Post

Dimension antitheses list (mm)

ITEM	L1	L2	L3	Plastic Height
Standard	7.50	2.85	1.50	2.50
Nonstandard	---	---	---	---

ANGLE TOLERANCE	PROJECTION	Description:
±3°		1.27mm Pin Header Double layer, SMT Pin, 2xN Pin
GENERAL TOLERANCE	UNITS	mm
x.x ±0.30	SHEET SIZE	A4
x.xx ±0.20	Draw:	Daniel 2018-07-10
x.xxx ±0.10	Check:	Daniel 2018-07-10



NingBo KLS ELECTRONIC CO., L TD.