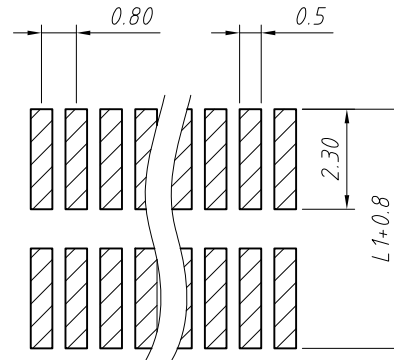
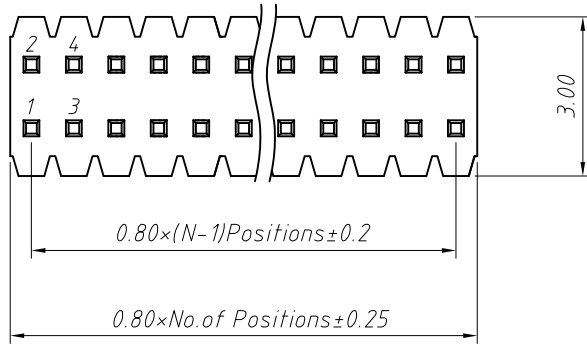


RoHS Compliance

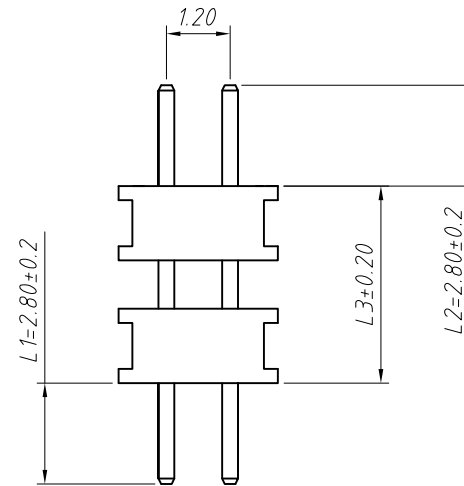
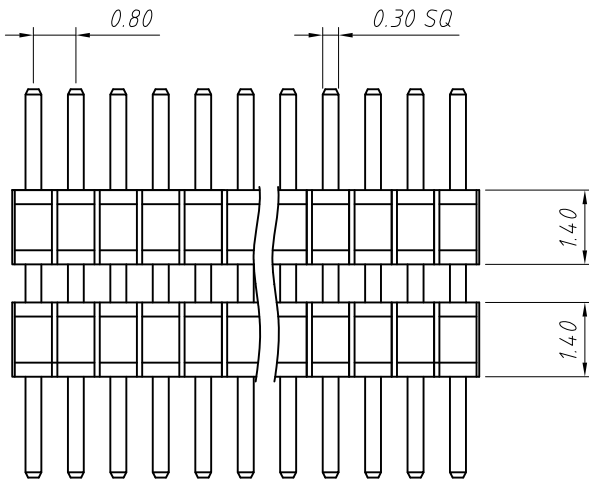


Recommended P.C.B Hole Layout

Material:
Standard: PA9T
Contact: Phosphor Bronze

Electrical Characteristics:
Rated Current: 0.75AMP
Contact Resistance: 20mΩ Max
Withstand Voltage: 500V AC/DC
Insulator Resistance: 1000MΩ Min

Mechanical
Operating Temperature: -40°C ~ +105°C
Max. Processing Temp: 230°C for 30-60 seconds
(260°C for 10 seconds)



Order Information:
L-KLS1-218K-2-XX-S-L1xL2xL3-G0

L: RoHS
Pin Header Series
218K: 0.80mm
Per Row: Double layer
Pin: No. of Pins (02 ~ 100)
Type: Straight Pin
Size: L1xL2xL3
Plating:
G0=Gold Flash G1=1u" Gold
G10=10u" Gold G15=15u" Gold
G30=30u" Gold

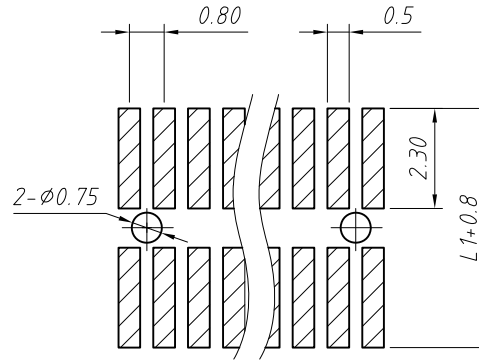
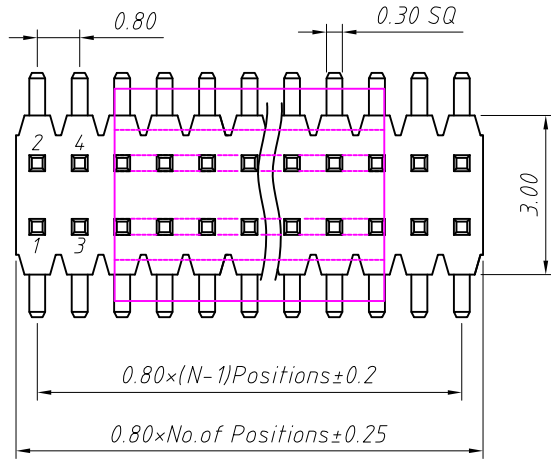
Dimension antitheses list (mm)				
ITEM	L1	L2	L3	Plastic Height
Standard	2.80	2.80	---	1.40
Nonstandard	---	---	---	---

ANGLE TOLERANCE	PROJECTION	Description:	0.80mm Pin Header
±3°			Double layer, Straight Pin, 2xN Pin
GENERAL TOLERANCE	UNITS	mm	KLS P/N: L-KLS1-218K-2-XX-S-L1xL2xL3-G0
x.x ±0.30	SHEET SIZE	A4	
x.xx ±0.20	Draw:	Daniel	2018-07-10
x.xxx ±0.10	Check:	Daniel	2018-07-10



NingBo KLS ELECTRONIC CO.,L TD.

RoHS Compliance

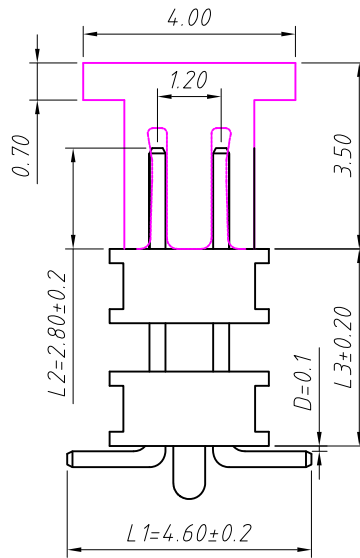
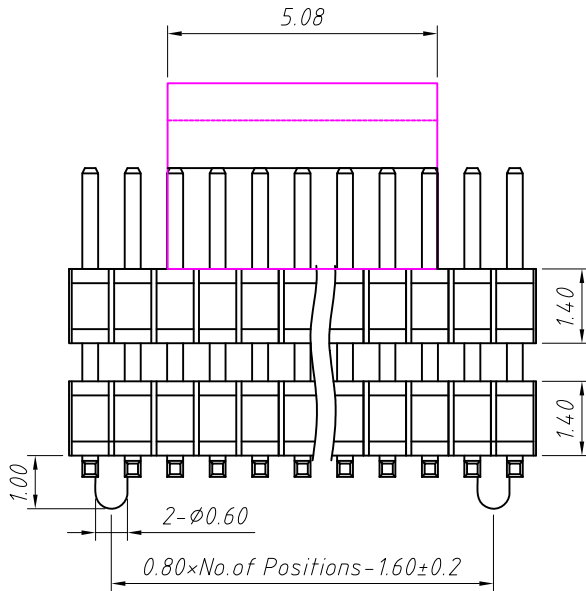


Recommended P.C.B Hole Layout

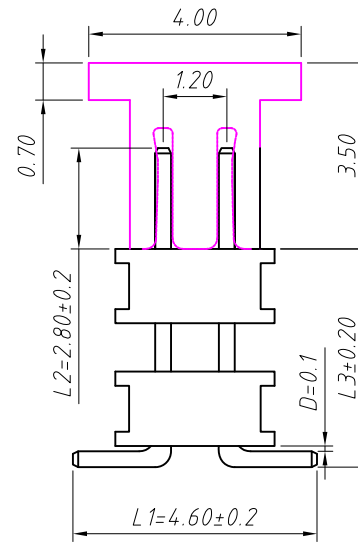
Material:
Standard: PA9T
Contact: Phosphor Bronze

Electrical Characteristics:
Rated Current: 0.75AMP
Contact Resistance: 20mΩ Max
Withstand Voltage: 500V AC/DC
Insulator Resistance: 1000MΩ Min

Mechanical
Operating Temperature: -40°C ~ +105°C
Max. Processing Temp: 230°C for 30-60 seconds
(260°C for 10 seconds)



W=With Post



N=W/O Post

Order Information:
L-KLS1-218K-2-XX-L1xL2xL3xD-G0-W-R

L: RoHS
Pin Header Series
218K: 0.80mm
Per Row: Double layer
Pin: No. of Pins (02~100)
Size: L1xL2xL3xD
Plating:
G0=Gold Flash G1=1u" Gold
G10=10u" Gold G15=15u" Gold
G30=30u" Gold
Post: W=With Post N=W/O Post
Packing:
0=PE Bag A=Tray T=Tube
P=Tube+Cap R=Reel+Cap

Dimension antitheses list (mm)

ITEM	L1	L2	L3	D	Plastic Height
Standard	4.60	2.80	---	0.1	1.40
Nonstandard	---	---	---	---	---

ANGLE TOLERANCE	PROJECTION	Description:	0.80mm Pin Header Double layer, SMT Pin, 2xN Pin	
±3°				
GENERAL TOLERANCE	UNITS	mm	KLS P/N:	L-KLS1-218K-2-XX-L1xL2xL3xD-G0-W-R
x.x ±0.30	SHEET SIZE	A4		
x.xx ±0.20	Draw:	Daniel	2018-07-10	
x.xxx ±0.10	Check:	Daniel	2018-07-10	

NingBo KLS ELECTRONIC CO.,L TD.