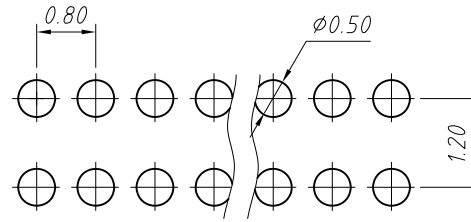
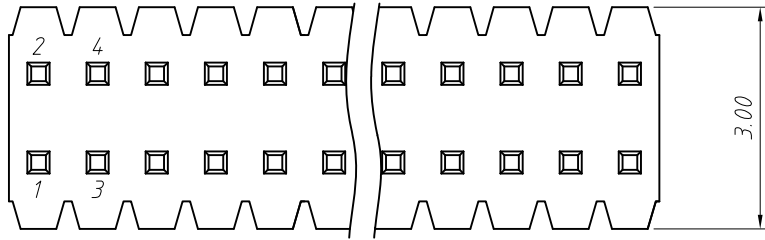


RoHS Compliance

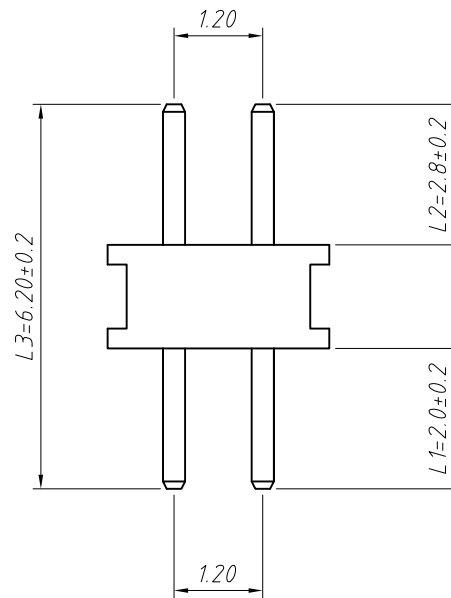
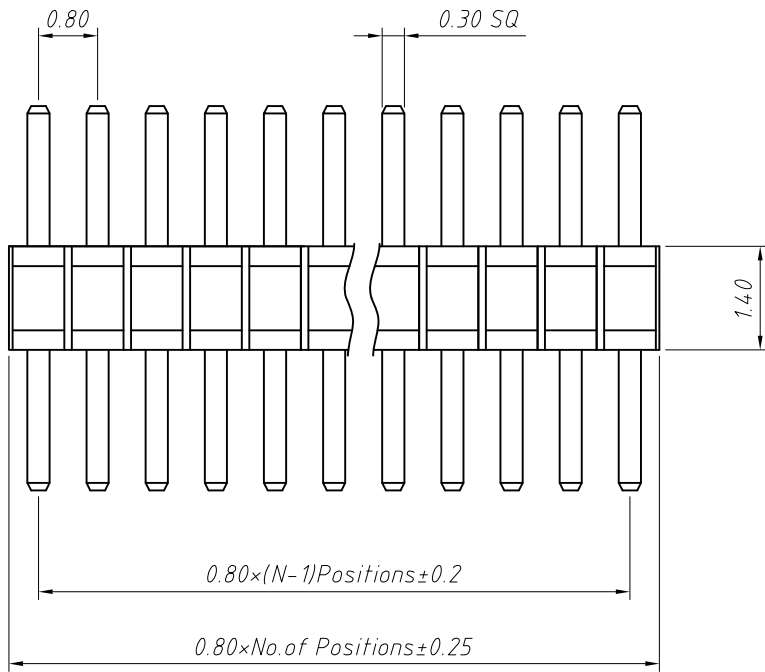


Recommended P.C.B Hole Layout

Material:
Standard:LCP
Contact: Brass

Electrical Characteristics:
Rated Current: 0.75AMP
Contact Resistance: 20mΩ Max
Withstand Voltage: 500V AC/DC
Insulator Resistance: 1000MΩ Min

Mechanical
Operating Temperature: -40°C ~ +105°C



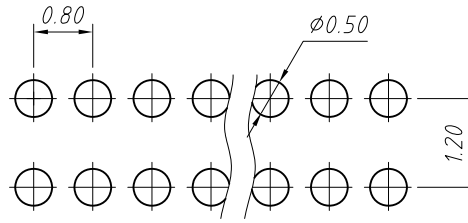
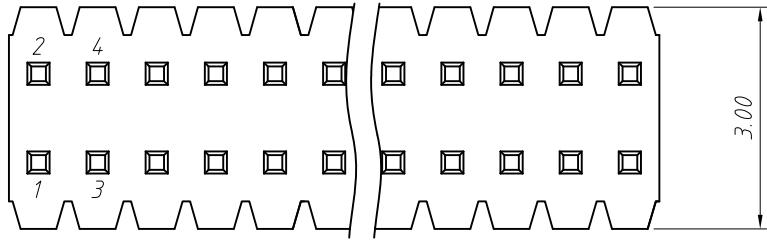
Order Information:
L-KLS1-207S-2-XX-S-L1xL2xL3-G0

L: RoHS
Pin Header Series
207S: 0.80mm
Per Row: Dual Row
Pin: No. of Pins (02 ~ 100)
Type: Straight Pin
Size: L1xL2xL3
Plating:
G0=Gold Flash G1=1u" Gold
G10=10u" Gold G15=15u" Gold
G30=30u" Gold

Dimension antitheses list (mm)				
ITEM	L1	L2	L3	Plastic Height
Standard	2.00	2.80	6.20	1.40
Nonstandard	---	---	---	---

ANGLE TOLERANCE	PROJECTION	Description:	0.80mm Pin Header Dual Row, Straight Pin, 2xN Pin	
±3°				
GENERAL TOLERANCE	UNITS	mm	KLS P/N:	L-KLS1-207S-2-XX-S-L1xL2xL3-G0
x.x ±0.30	SHEET SIZE	A4		
x.xx ±0.20	Draw:	Daniel	2018-07-10	 NingBo KLS ELECTRONIC CO.,L TD.
x.xxx ±0.10	Check:	Daniel	2018-07-10	

RoHS Compliance

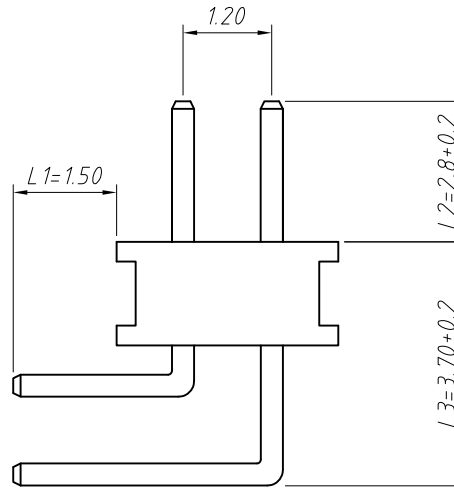
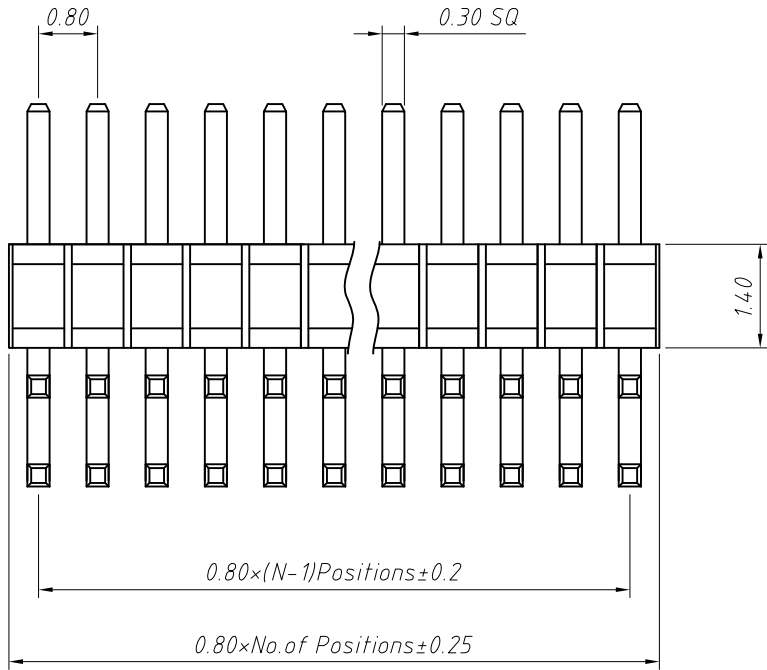


Recommended P.C.B Hole Layout

Material:
Standard:LCP
Contact: Brass

Electrical Characteristics:
Rated Current: 0.75AMP
Contact Resistance: 20mΩ Max
Withstand Voltage: 500V AC/DC
Insulator Resistance: 1000MΩ Min

Mechanical
Operating Temperature: -40°C ~ +105°C



Order Information:
L-KLS1-207S-2-XX-R-L1xL2xL3-G0

L: RoHS
Pin Header Series
207S: 0.80mm
Per Row: Dual Row
Pin: No. of Pins (02 ~ 100)
Type: Right Angle Pin
Size: L1xL2xL3
Plating:
G0=Gold Flash G1=1u" Gold
G10=10u" Gold G15=15u" Gold
G30=30u" Gold

Dimension antitheses list (mm)

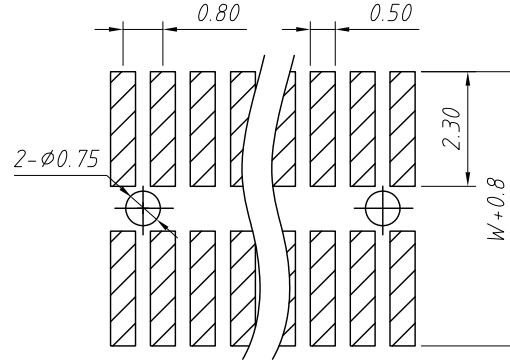
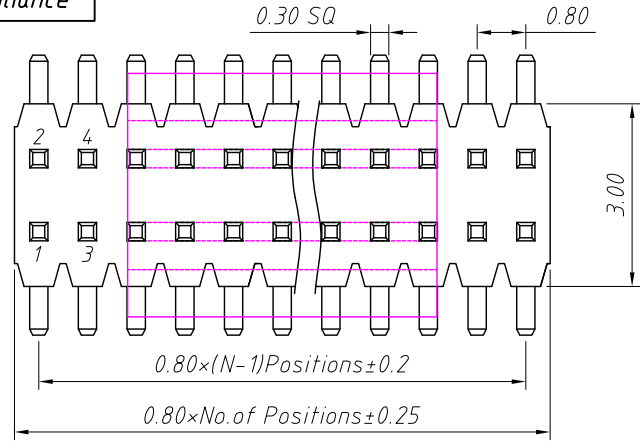
ITEM	L1	L2	L3	Plastic Height
Standard	1.50	2.80	3.70	1.40
Nonstandard	---	---	---	---

ANGLE TOLERANCE	PROJECTION	Description:
±3°		0.80mm Pin Header Dual Row, Right Angle Pin, 2xN Pin
GENERAL TOLERANCE	UNITS	mm
x.x ±0.30	SHEET SIZE	A4
x.xx ±0.20	Draw:	Daniel 2018-07-10
x.xxx ±0.10	Check:	Daniel 2018-07-10



NingBo KLS ELECTRONIC CO.,L TD.

RoHS Compliance



Recommended P.C.B Hole Layout

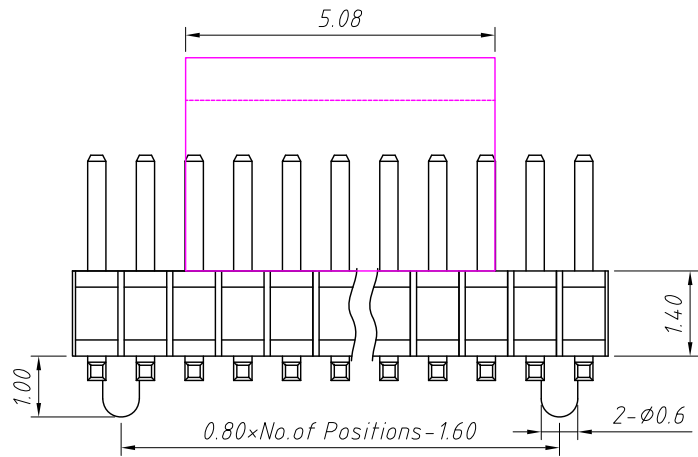
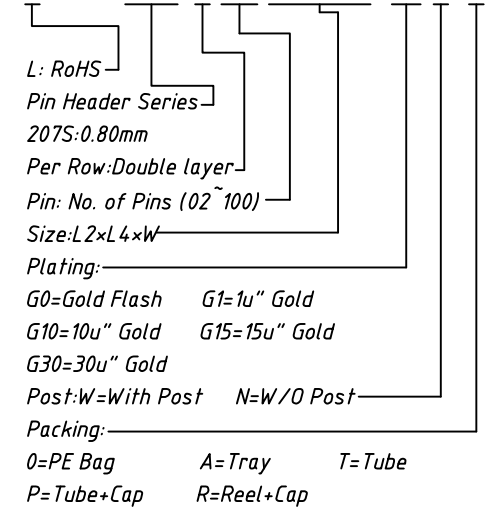
Material:
Standard:LCP
Contact: Brass

Electrical Characteristics:
Rated Current: 0.75AMP
Contact Resistance: 20mΩ Max
Withstand Voltage: 500V AC/DC
Insulator Resistance: 1000MΩ Min

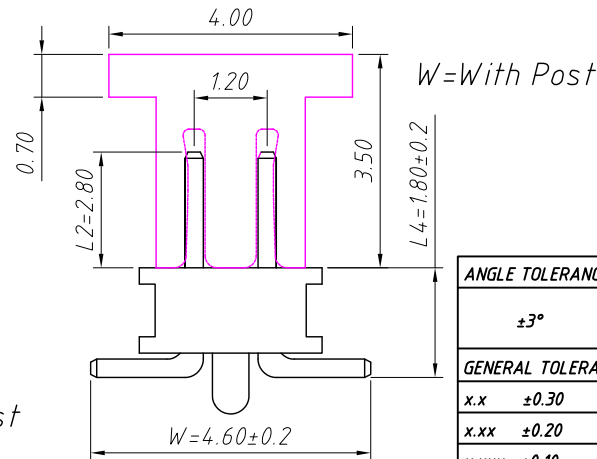
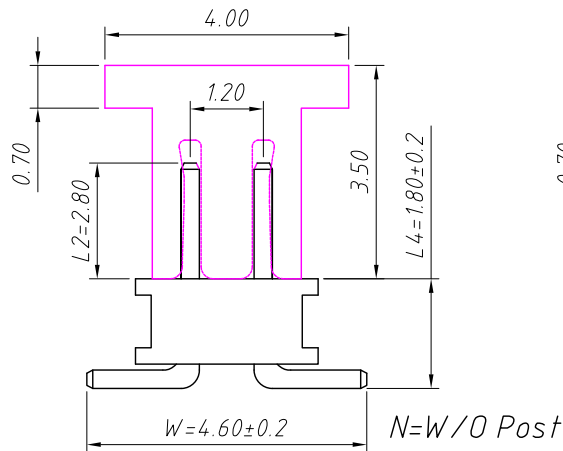
Mechanical
Operating Temperature: -40°C~+105°C
Max.Processing Temp:230°C for 30-60 seconds
(260°C for 10 seconds)

Order Information:

L-KLS1-207S-2-XX-L2xL4xW-G0-W-R



Dimension antitheses list (mm)				
ITEM	L2	L4	W	Plastic Height
Standard	2.80	1.80	4.60	1.40
Nonstandard	---	---	---	---



ANGLE TOLERANCE	PROJECTION	Description:	0.80mm Pin Header	
±3°			Double layer, SMT Pin, 2xN Pin	
GENERAL TOLERANCE	UNITS	mm	KLS P/N:	L-KLS1-207S-2-XX-L2xL4xW-G0-W-R
x.x ±0.30	SHEET SIZE	A4		
x.xx ±0.20	Draw:	Daniel	2018-07-10	NingBo KLS ELECTRONIC CO.,L TD.
x.xxx ±0.10	Check:	Daniel	2018-07-10	