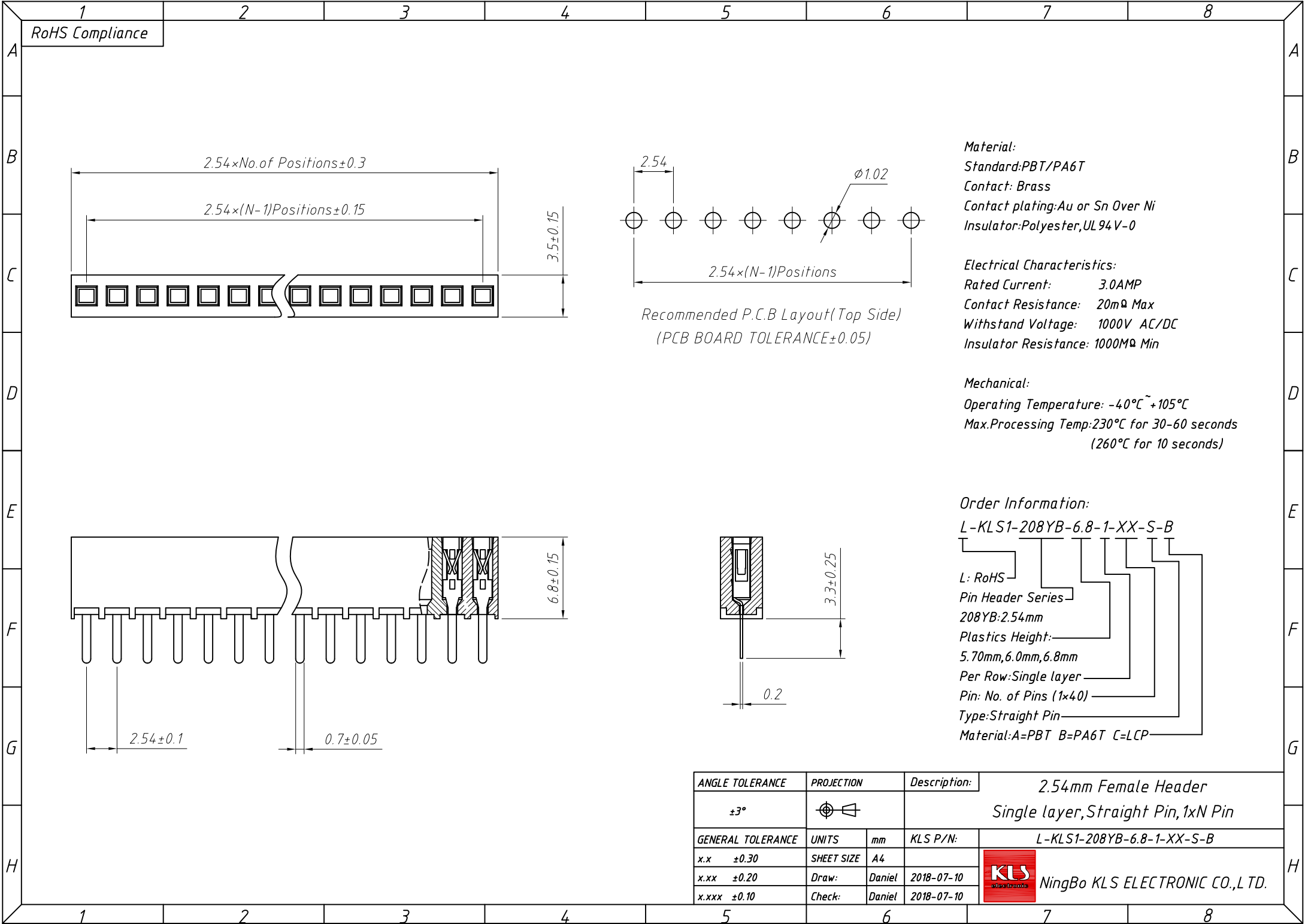


1
RoHS Compliance



Material:
 Standard: PBT/PA6T
 Contact: Brass
 Contact plating: Au or Sn Over Ni
 Insulator: Polyester, UL 94V-0

Electrical Characteristics:
 Rated Current: 3.0AMP
 Contact Resistance: 20mΩ Max
 Withstand Voltage: 1000V AC/DC
 Insulator Resistance: 1000MΩ Min

Mechanical:
 Operating Temperature: $-40^{\circ}\text{C} \sim +105^{\circ}\text{C}$
 Max. Processing Temp: 230°C for 30-60 seconds
 (260°C for 10 seconds)

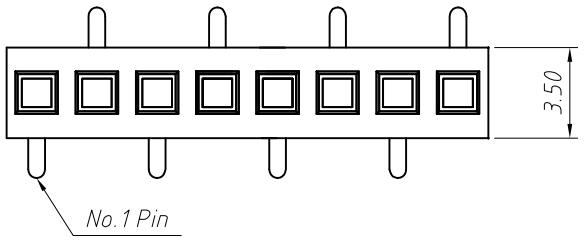
Order Information:
 L-KLS1-208YB-6.8-1-XX-S-B

- L: RoHS
- Pin Header Series
- 208YB: 2.54mm
- Plastics Height: 5.70mm, 6.0mm, 6.8mm
- Per Row: Single layer
- Pin: No. of Pins (1x40)
- Type: Straight Pin
- Material: A=PBT B=PA6T C=LCP

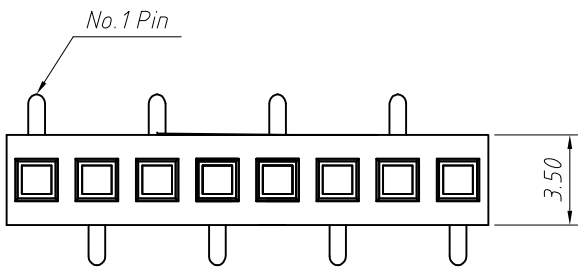
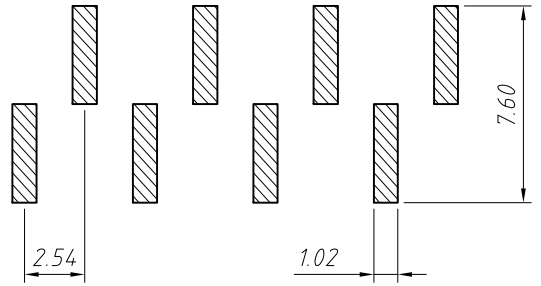
ANGLE TOLERANCE	PROJECTION	Description:	2.54mm Female Header	
$\pm 3^{\circ}$			Single layer, Straight Pin, 1xN Pin	
GENERAL TOLERANCE	UNITS	mm	KLS P/N:	L-KLS1-208YB-6.8-1-XX-S-B
x.x ± 0.30	SHEET SIZE	A4		
x.xx ± 0.20	Draw:	Daniel	2018-07-10	
x.xxx ± 0.10	Check:	Daniel	2018-07-10	

NingBo KLS ELECTRONIC CO.,L TD.

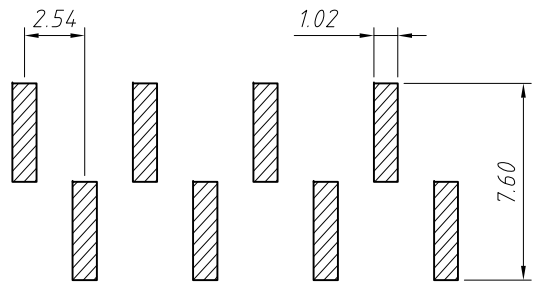
1
RoHS Compliance



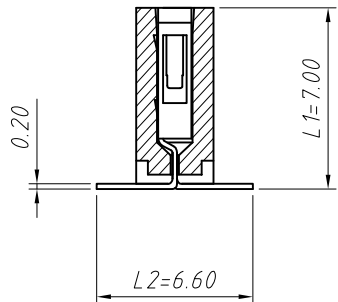
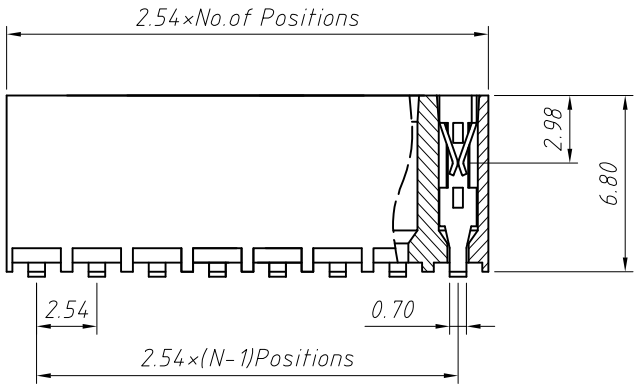
T2 Type



T1 Type



Recommended P.C.B Layout (Top Side)
(PCB BOARD TOLERANCE ±0.05)



Material:
Standard: PA6T
Contact: Phosphor Bronze
Contact plating: Au or Sn Over Ni
Insulator: Polyester, UL 94V-0

Electrical Characteristics:
Rated Current: 3.0AMP
Contact Resistance: 20mΩ Max
Withstand Voltage: 1000V AC/DC
Insulator Resistance: 1000MΩ Min

Mechanical:
Operating Temperature: -40°C ~ +105°C
Max. Processing Temp: 230°C for 30-60 seconds
(260°C for 10 seconds)

Order Information:
L-KLS1-208YB-6.8-1-XX-T1-L1×L2-B-R

L: RoHS
Pin Header Series
208YB: 2.54mm
Plastics Height:
5.7mm, 6.0mm, 6.8mm
Per Row: Single layer
Pin: No. of Pins (1×40)
Type: T1 Type, T1 Type
Size: L1×L2
Material: A=PBT B=PA6T C=LCP
Packing:
A=Tray T=Tube M=Reel+Mylar
P=Tube+Cap R=Reel+Cap

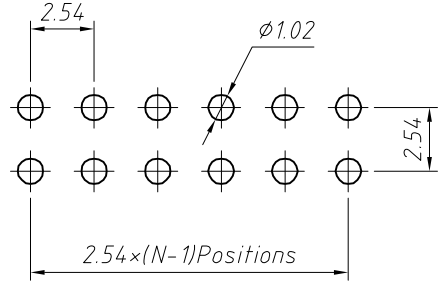
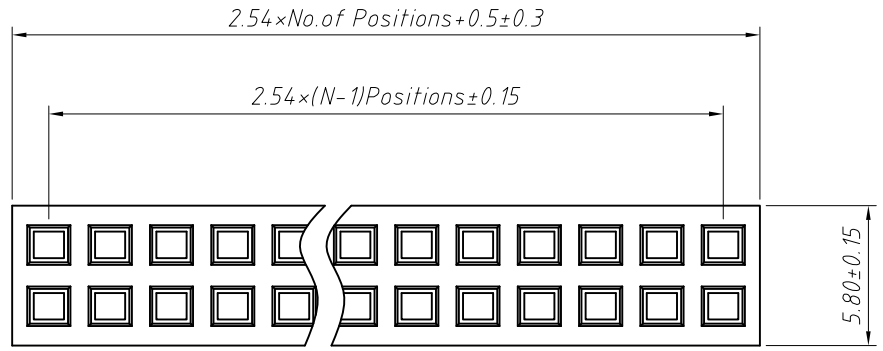
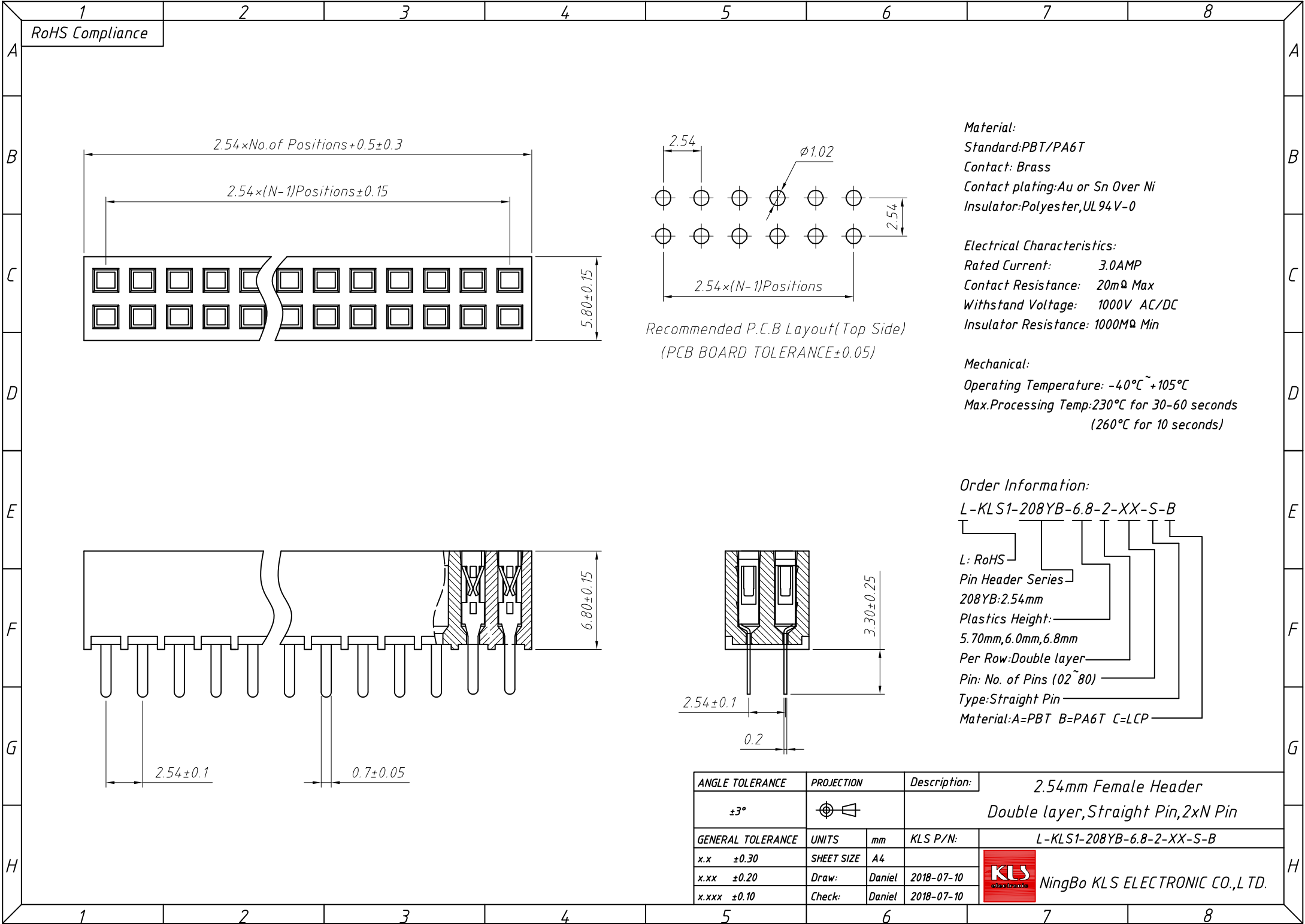
Dimension antitheses list (mm)

ITEM	L1	L2	Plastic Height
Standard	7.00	6.60	6.80
Standard	6.20	6.60	6.00
Standard	5.90	6.60	5.70

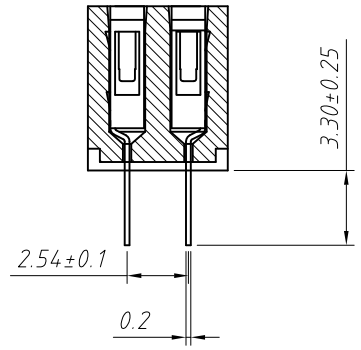
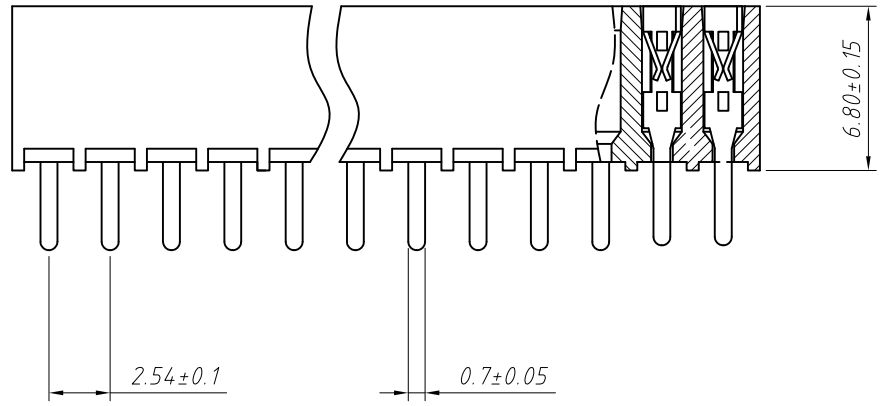
ANGLE TOLERANCE	PROJECTION	Description:
±3°		2.54mm Female Header Single layer, SMT Pin, 1xN Pin
GENERAL TOLERANCE	UNITS	mm
x.x	±0.30	SHEET SIZE A4
x.xx	±0.20	Draw: Daniel 2018-07-10
x.xxx	±0.10	Check: Daniel 2018-07-10

NingBo KLS ELECTRONIC CO.,L TD.

1
RoHS Compliance



Recommended P.C.B Layout (Top Side)
(PCB BOARD TOLERANCE±0.05)



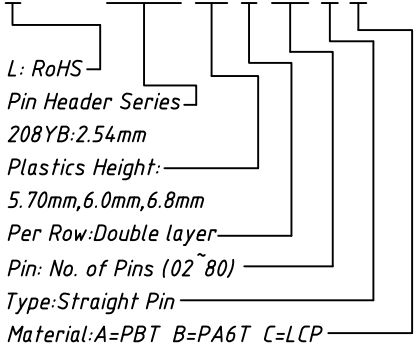
Material:
Standard:PBT/PA6T
Contact: Brass
Contact plating: Au or Sn Over Ni
Insulator: Polyester, UL 94V-0

Electrical Characteristics:
Rated Current: 3.0AMP
Contact Resistance: 20mΩ Max
Withstand Voltage: 1000V AC/DC
Insulator Resistance: 1000MΩ Min

Mechanical:
Operating Temperature: -40°C ~ +105°C
Max.Processing Temp: 230°C for 30-60 seconds
(260°C for 10 seconds)

Order Information:

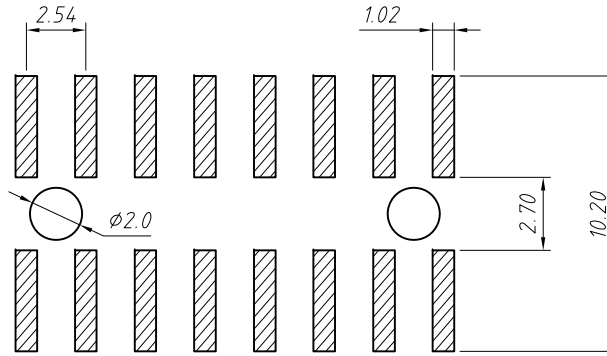
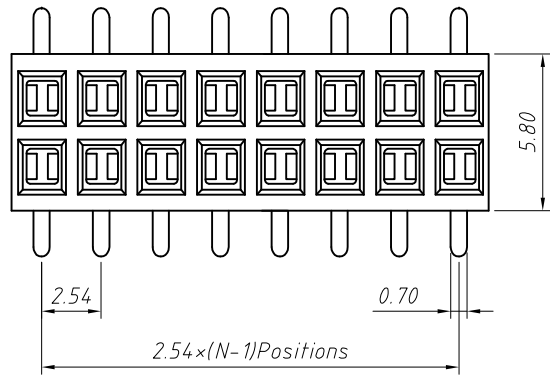
L-KLS1-208YB-6.8-2-XX-S-B



ANGLE TOLERANCE	PROJECTION	Description:	2.54mm Female Header	
±3°			Double layer, Straight Pin, 2xN Pin	
GENERAL TOLERANCE	UNITS	mm	KLS P/N:	L-KLS1-208YB-6.8-2-XX-S-B
x.x ±0.30	SHEET SIZE	A4		
x.xx ±0.20	Draw:	Daniel	2018-07-10	
x.xxx ±0.10	Check:	Daniel	2018-07-10	

NingBo KLS ELECTRONIC CO.,L TD.

RoHS Compliance



Recommended P.C.B Layout (Top Side)
(PCB BOARD TOLERANCE ±0.05)

Material:
Standard: PA6T
Contact: Phosphor Bronze
Contact plating: Au or Sn Over Ni
Insulator: Polyester, UL94V-0

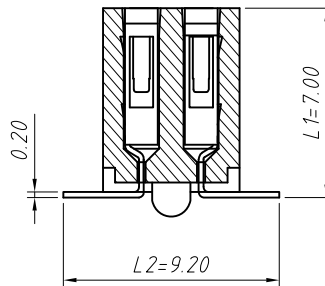
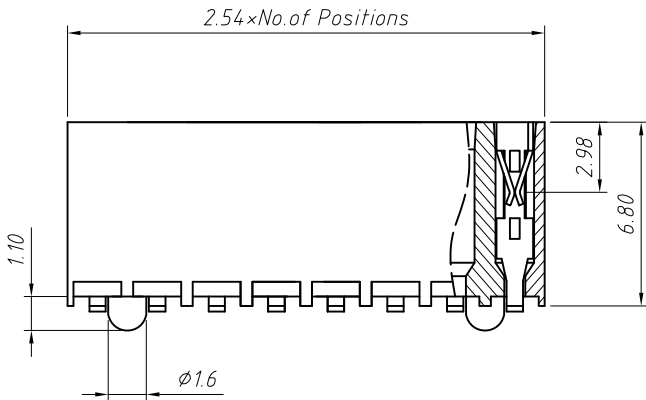
Electrical Characteristics:
Rated Current: 3.0AMP
Contact Resistance: 20mΩ Max
Withstand Voltage: 1000V AC/DC
Insulator Resistance: 1000MΩ Min

Mechanical:
Operating Temperature: -40°C ~ +105°C
Max. Processing Temp: 230°C for 30-60 seconds
(260°C for 10 seconds)

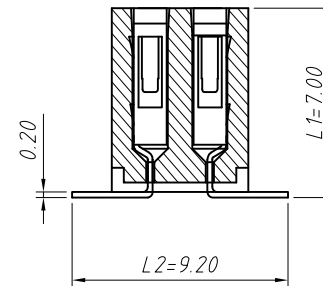
Order Information:

L-KLS1-208YB-6.8-2-XX-T-L1xL2-B-R

L: RoHS
Pin Header Series
208YB: 2.54mm
Plastics Height:
5.7mm, 6.0mm, 6.8mm
Per Row: Double layer
Pin: No. of Pins (02~80)
SMT: T=Without Post, T3=With Post
Size: L1xL2
Material: A=PBT B=PA6T C=LCP
Packing:
A=Tray T=Tube M=Reel+Mylar
P=Tube+Cap R=Reel+Cap



T3=With Post



T=Without Post

Dimension antitheses list (mm)

ITEM	L1	L2	Plastic Height
Standard	7.00	9.20	6.80
Standard	6.20	9.20	6.00
Standard	5.90	9.20	5.70

ANGLE TOLERANCE	PROJECTION	Description:	
±3°		2.54mm Female Header Double layer, SMT Pin, 2xN Pin	
GENERAL TOLERANCE	UNITS	mm	KLS P/N:
x.x ±0.30	SHEET SIZE	A4	L-KLS1-208YB-6.8-2-XX-T-L1xL2-B-R
x.xx ±0.20	Draw:	Daniel	2018-07-10
x.xxx ±0.10	Check:	Daniel	2018-07-10



NingBo KLS ELECTRONIC CO.,L TD.