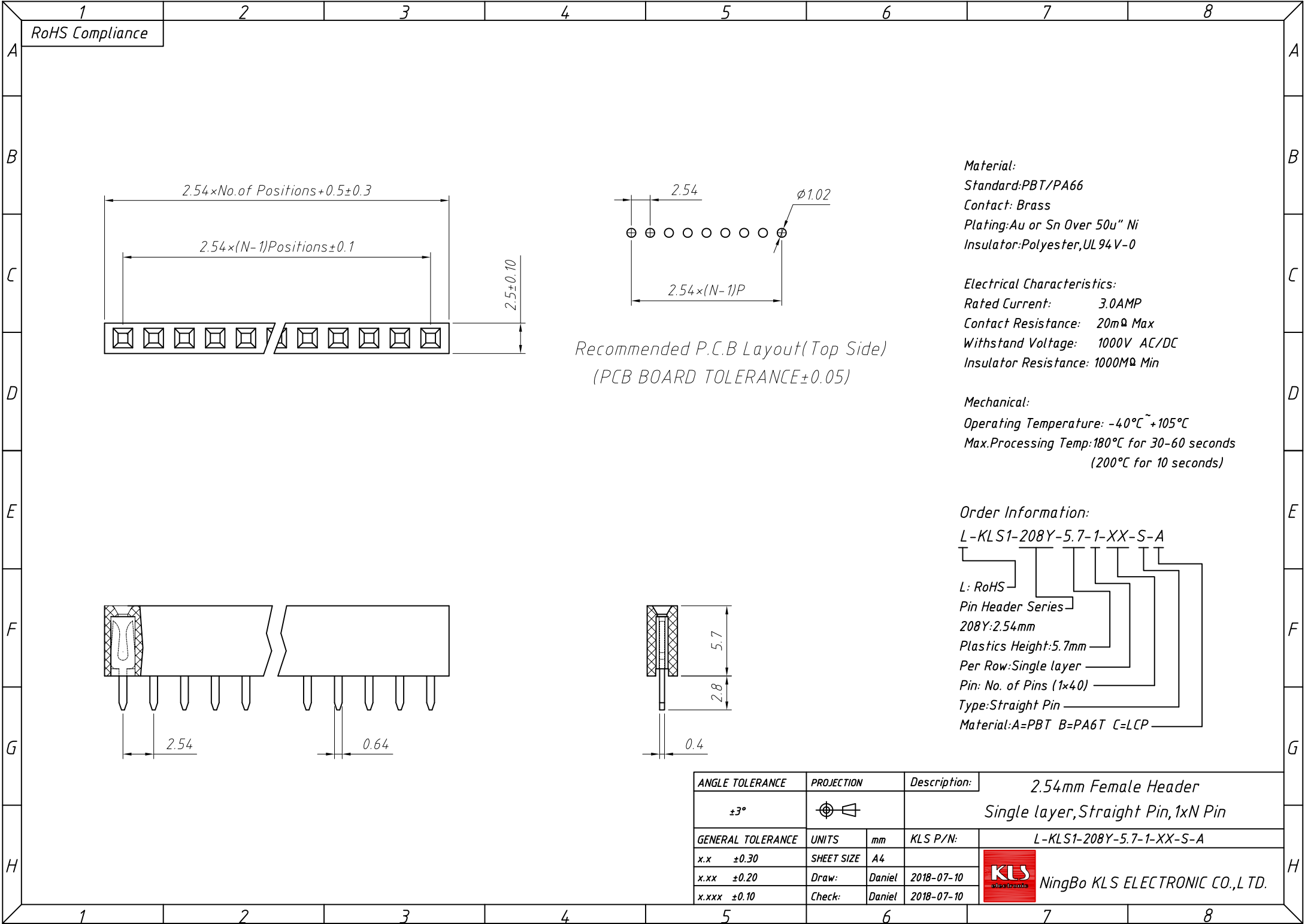


1
RoHS Compliance



Material:
 Standard:PBT/PA66
 Contact: Brass
 Plating: Au or Sn Over 50u" Ni
 Insulator: Polyester, UL 94V-0

Electrical Characteristics:
 Rated Current: 3.0AMP
 Contact Resistance: 20mΩ Max
 Withstand Voltage: 1000V AC/DC
 Insulator Resistance: 1000MΩ Min

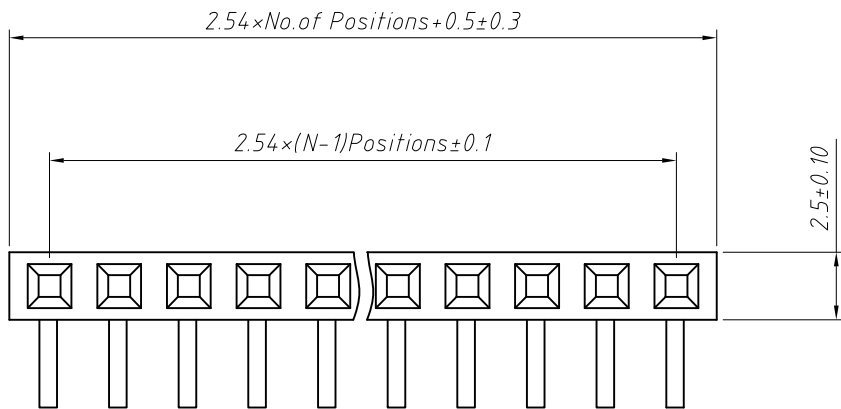
Mechanical:
 Operating Temperature: $-40^{\circ}\text{C} \sim +105^{\circ}\text{C}$
 Max.Processing Temp: 180°C for 30-60 seconds
 (200°C for 10 seconds)

Order Information:
 L-KLS1-208Y-5.7-1-XX-S-A

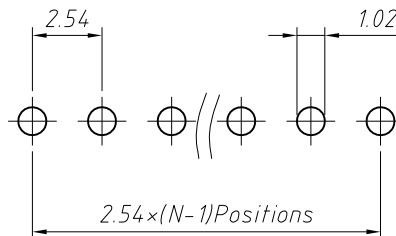
- L: RoHS
- Pin Header Series
- 208Y: 2.54mm
- Plastics Height: 5.7mm
- Per Row: Single layer
- Pin: No. of Pins (1x40)
- Type: Straight Pin
- Material: A=PBT B=PA6T C=LCP

ANGLE TOLERANCE	PROJECTION	Description:	2.54mm Female Header
$\pm 3^{\circ}$			Single layer, Straight Pin, 1xN Pin
GENERAL TOLERANCE	UNITS	mm	KLS P/N: L-KLS1-208Y-5.7-1-XX-S-A
x.x ± 0.30	SHEET SIZE	A4	NingBo KLS ELECTRONIC CO.,L TD.
x.xx ± 0.20	Draw:	Daniel 2018-07-10	
x.xxx ± 0.10	Check:	Daniel 2018-07-10	

1 RoHS Compliance



Recommended P.C.B Layout (Top Side)
(PCB BOARD TOLERANCE ± 0.05)



Material:

Standard: PBT/PA66

Contact: Brass

Contact plating: Au or Sn Over 50u" Ni

Insulator: Polyester, UL 94V-0

Electrical Characteristics:

Rated Current: 3.0AMP

Contact Resistance: 20mΩ Max

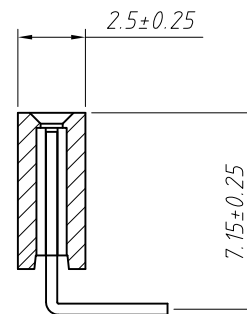
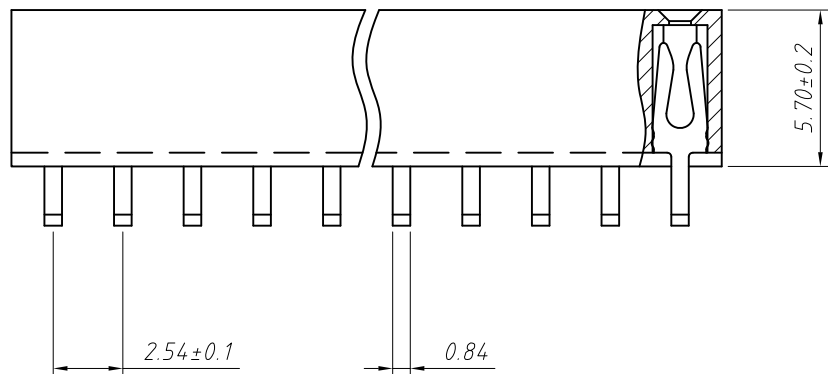
Withstand Voltage: 1000V AC/DC

Insulator Resistance: 1000MΩ Min

Mechanical:

Operating Temperature: -40°C ~ +105°C

Max. Processing Temp: 180°C for 30-60 seconds
(200°C for 10 seconds)



Order Information:

L-KLS1-208Y-5.7-1-XX-R-A

L: RoHS

Pin Header Series

208Y: 2.54mm

Plastics Height: 5.7mm

Per Row: Single layer

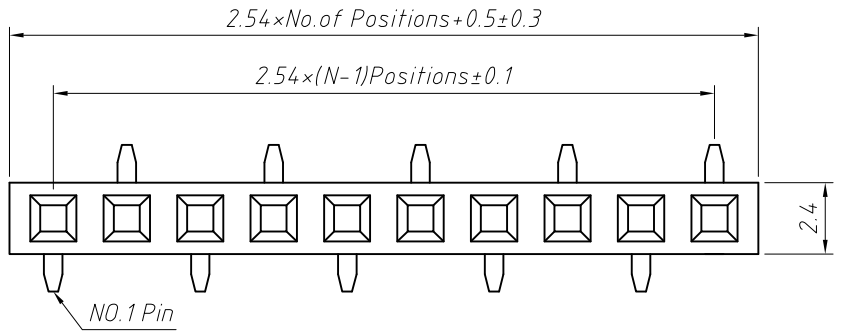
Pin: No. of Pins (1x40)

Type: Right Angle Pin

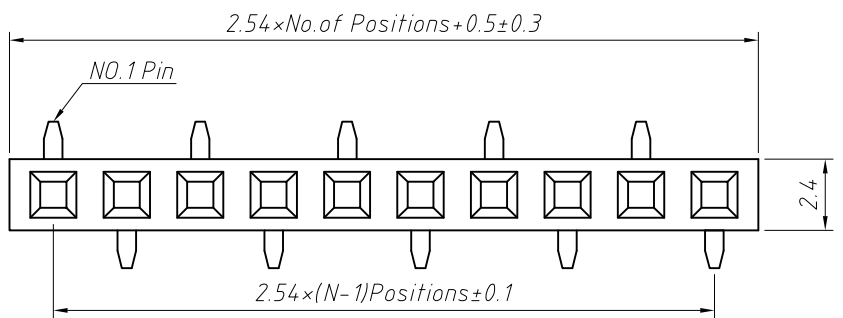
Material: A=PBT B=PA6T C=LCP

ANGLE TOLERANCE	PROJECTION	Description:	2.54mm Female Header
±3°			Single layer, Right Angle Pin, 1xN Pin
GENERAL TOLERANCE	UNITS	mm	KLS P/N: L-KLS1-208Y-5.7-1-XX-R-A
x.x ±0.30	SHEET SIZE	A4	NingBo KLS ELECTRONIC CO.,L TD.
x.xx ±0.20	Draw:	Daniel	
x.xxx ±0.10	Check:	Daniel	

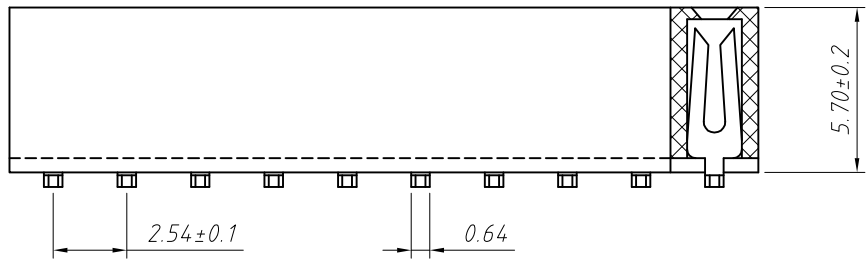
1
RoHS Compliance



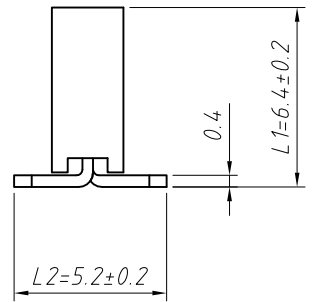
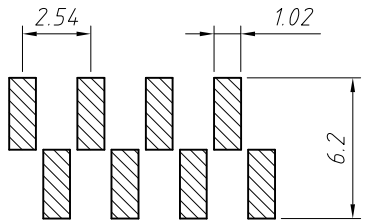
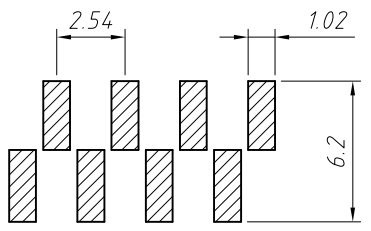
T2 Type



T1 Type



Recommended P.C.B Layout (Top Side)
(PCB BOARD TOLERANCE ± 0.05)



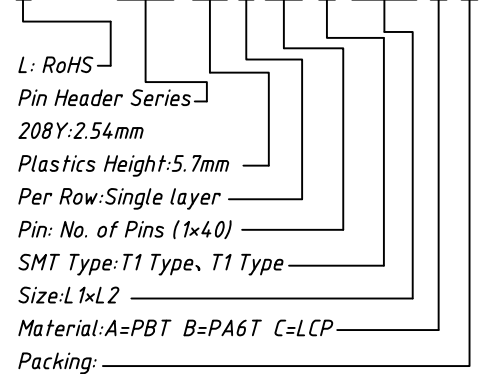
Material:
Standard: PA6T
Contact: Brass
Contact plating: Au or Sn Over 50u" Ni
Insulator: Polyester, UL94V-0

Electrical Characteristics:
Rated Current: 3.0AMP
Contact Resistance: 20mΩ Max
Withstand Voltage: 1000V AC/DC
Insulator Resistance: 1000MΩ Min

Mechanical:
Operating Temperature: -40°C ~ +105°C
Max. Processing Temp: 240°C for 30-60 seconds
(260°C for 10 seconds)

Order Information:

L-KLS1-208Y-5.7-1-XX-T1-L1xL2-B-R

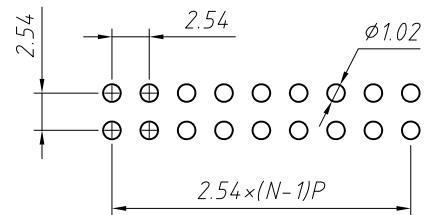
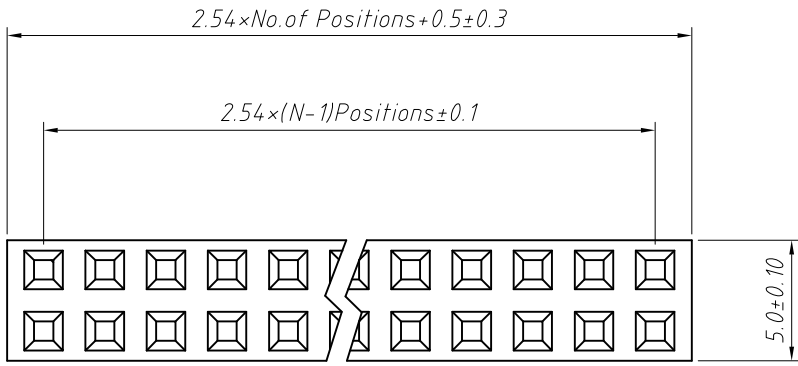
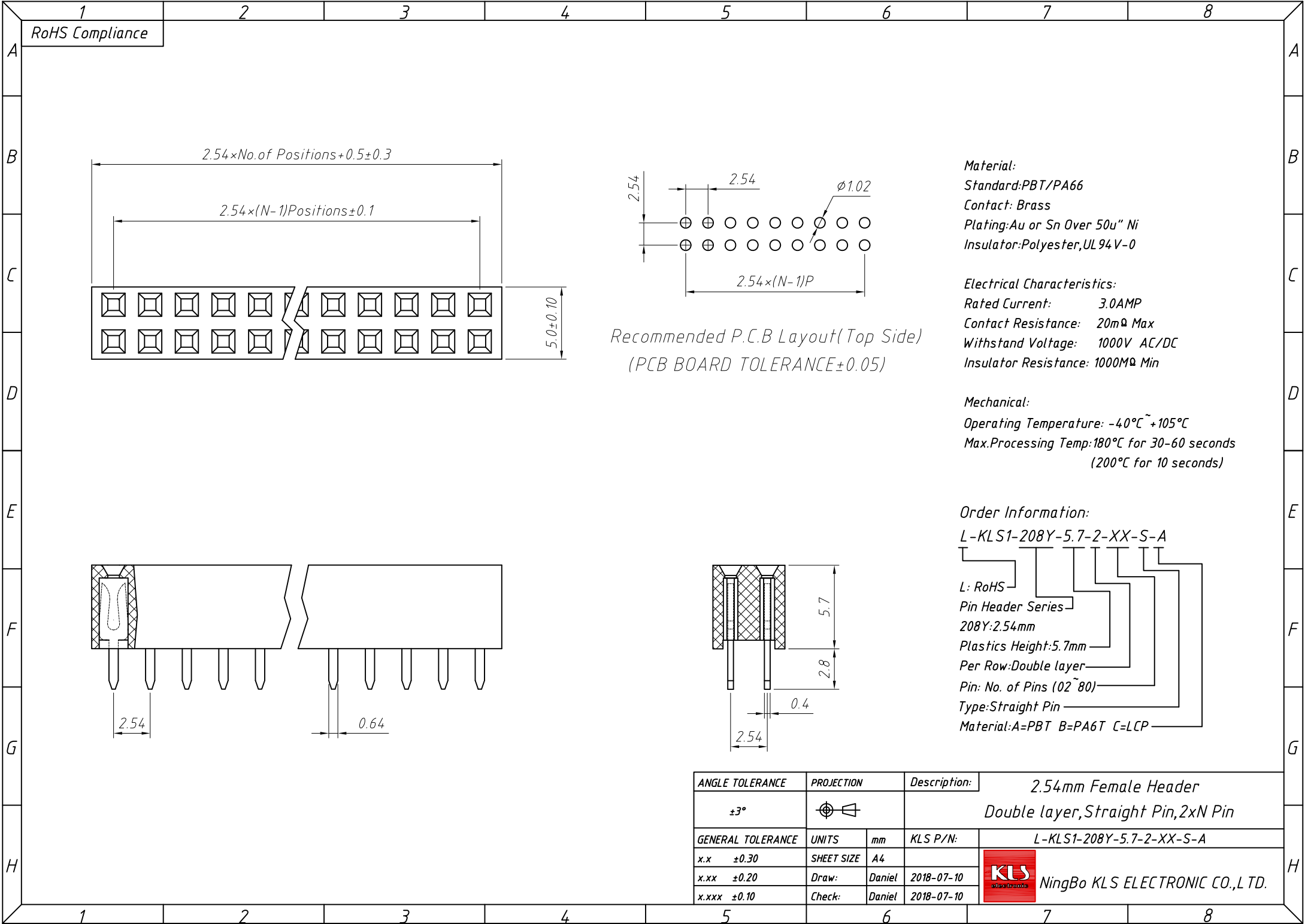


Dimension antitheses list (mm)			
ITEM	L1	L2	Plastic Height
Standard	6.40	5.20	5.70
Nonstandard	---	---	---

ANGLE TOLERANCE	PROJECTION	Description:	2.54mm Female Header Single layer, SMT, 1xN Pin	
±3°				
GENERAL TOLERANCE	UNITS	mm	KLS P/N:	L-KLS1-208Y-5.7-1-XX-T1-L1xL2-B-R
x.x ±0.30	SHEET SIZE	A4		
x.xx ±0.20	Draw:	Daniel	2018-07-10	
x.xxx ±0.10	Check:	Daniel	2018-07-10	

NingBo KLS ELECTRONIC CO., L TD.

1
RoHS Compliance



Recommended P.C.B Layout (Top Side)
(PCB BOARD TOLERANCE ± 0.05)

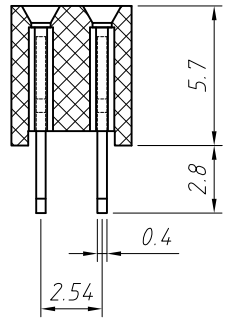
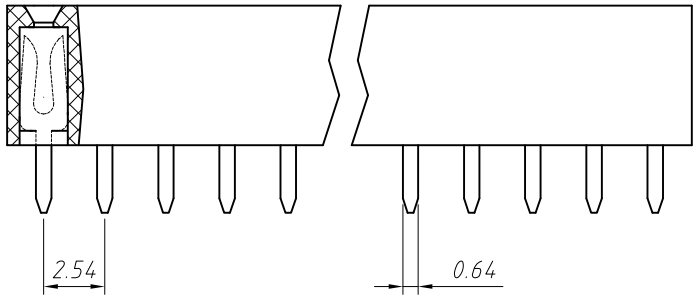
Material:
Standard: PBT/PA66
Contact: Brass
Plating: Au or Sn Over 50u" Ni
Insulator: Polyester, UL 94V-0

Electrical Characteristics:
Rated Current: 3.0AMP
Contact Resistance: 20m Ω Max
Withstand Voltage: 1000V AC/DC
Insulator Resistance: 1000M Ω Min

Mechanical:
Operating Temperature: $-40^{\circ}\text{C} \sim +105^{\circ}\text{C}$
Max. Processing Temp: 180°C for 30-60 seconds
(200°C for 10 seconds)

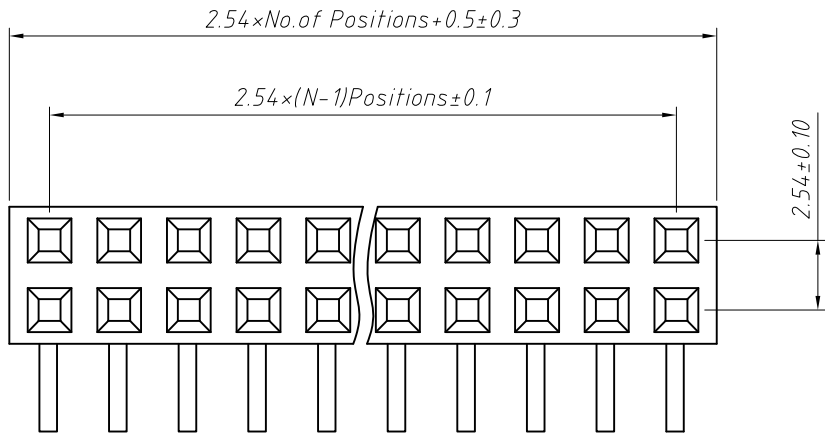
Order Information:
L-KLS1-208Y-5.7-2-XX-S-A

L: RoHS
Pin Header Series
208Y: 2.54mm
Plastics Height: 5.7mm
Per Row: Double layer
Pin: No. of Pins (02 ~ 80)
Type: Straight Pin
Material: A=PBT B=PA6T C=LCP

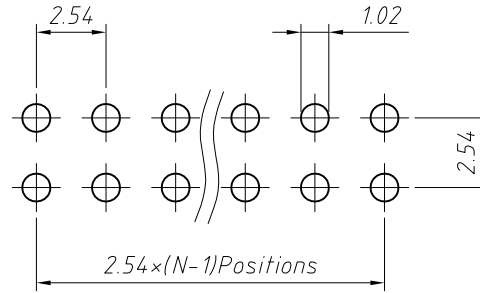


ANGLE TOLERANCE	PROJECTION	Description:	2.54mm Female Header
$\pm 3^{\circ}$			Double layer, Straight Pin, 2xN Pin
GENERAL TOLERANCE	UNITS	mm	KLS P/N: L-KLS1-208Y-5.7-2-XX-S-A
x.x ± 0.30	SHEET SIZE	A4	NingBo KLS ELECTRONIC CO.,L TD.
x.xx ± 0.20	Draw:	Daniel	
x.xxx ± 0.10	Check:	Daniel	

RoHS Compliance



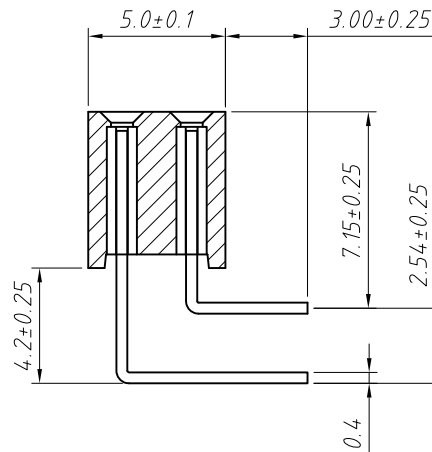
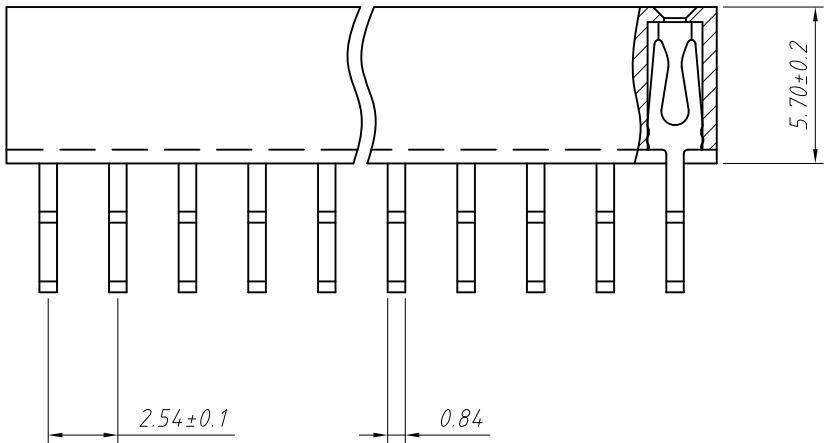
Recommended P.C.B Layout (Top Side)
(PCB BOARD TOLERANCE ± 0.05)



Material:
Standard: PBT/PA66
Contact: Brass
Contact plating: Au or Sn Over 50u" Ni
Insulator: Polyester, UL 94V-0

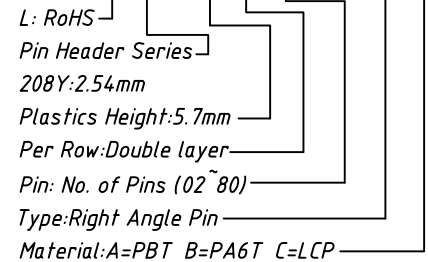
Electrical Characteristics:
Rated Current: 3.0AMP
Contact Resistance: 20mΩ Max
Withstand Voltage: 1000V AC/DC
Insulator Resistance: 1000MΩ Min

Mechanical:
Operating Temperature: -40°C ~ +105°C
Max. Processing Temp: 180°C for 30-60 seconds
(200°C for 10 seconds)

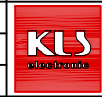


Order Information:

L-KLS1-208Y-5.7-2-XX-R-A



ANGLE TOLERANCE	PROJECTION	Description:	2.54mm Female Header
±3°			Double layer, Right Angle Pin, 2xN Pin
GENERAL TOLERANCE	UNITS	mm	KLS P/N:
x.x ±0.30	SHEET SIZE	A4	L-KLS1-208Y-5.7-2-XX-R-A
x.xx ±0.20	Draw:	Daniel	2018-07-10
x.xxx ±0.10	Check:	Daniel	2018-07-10



NingBo KLS ELECTRONIC CO.,L TD.

1 RoHS Compliance

A

B

C

D

E

F

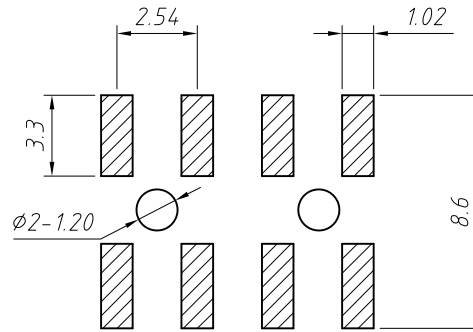
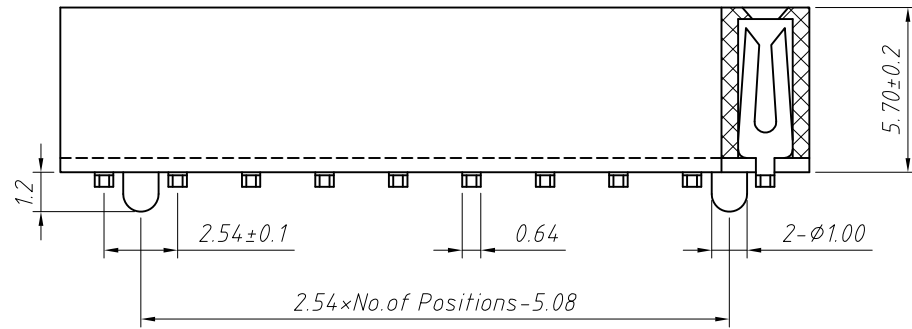
G

H

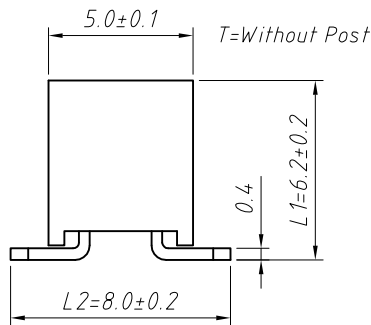
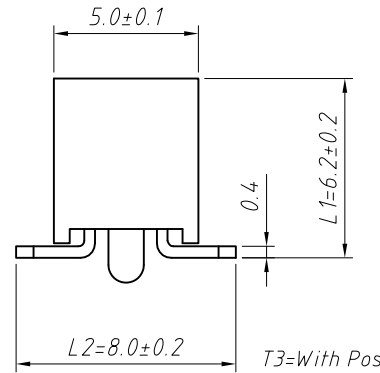
$2.54 \times \text{No. of Positions} + 0.5 \pm 0.3$

$2.54 \times (N-1) \text{ Positions} \pm 0.1$

2.54



Recommended P.C.B Layout (Top Side)
(PCB BOARD TOLERANCE ± 0.05)



Dimension antitheses list (mm)			
ITEM	L1	L2	Plastic Height
Standard	6.20	8.00	5.70
Nonstandard	---	---	---

Material:

Standard: PA6T

Contact: Brass

Contact plating: Au or Sn Over 50u" Ni

Insulator: Polyester, UL94V-0

Electrical Characteristics:

Rated Current: 3.0AMP

Contact Resistance: 20mΩ Max

Withstand Voltage: 1000V AC/DC

Insulator Resistance: 1000MΩ Min

Mechanical:

Operating Temperature: $-40^{\circ}\text{C} \sim +105^{\circ}\text{C}$

Max. Processing Temp: 240°C for 30-60 seconds
 $(260^{\circ}\text{C}$ for 10 seconds)

Order Information:

L-KLS1-208Y-5.7-2-XX-T-L1xL2-B-R

L: RoHS

Pin Header Series

208Y: 2.54mm

Plastics Height: 5.7mm

Per Row: Double layer

Pin: No. of Pins (02~80)

SMT: T=Without Post, T3=With Post

Size: L1xL2

Material: A=PBT B=PA6T C=LCP

Packing:

A=Tray

T=Tube

M=Reel+Mylar

P=Tube+Cap

R=Reel+Cap

ANGLE TOLERANCE	PROJECTION	Description:	2.54mm Female Header Double layer, SMT, 2xN Pin	
$\pm 3^{\circ}$				
GENERAL TOLERANCE	UNITS	mm	KLS P/N:	L-KLS1-208Y-5.7-2-XX-T-L1xL2-B-R
x.x ± 0.30	SHEET SIZE	A4		
x.xx ± 0.20	Draw:	Daniel	2018-07-10	
x.xxx ± 0.10	Check:	Daniel	2018-07-10	



NingBo KLS ELECTRONIC CO., L TD.

1

2

3

4

5

6

7

8

A

B

C

D

E

F

G

H