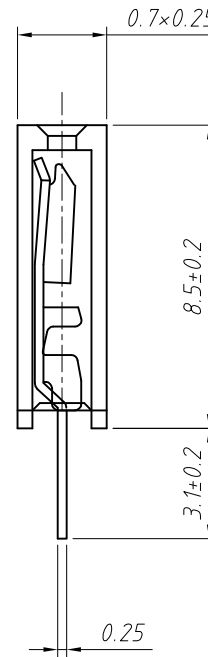
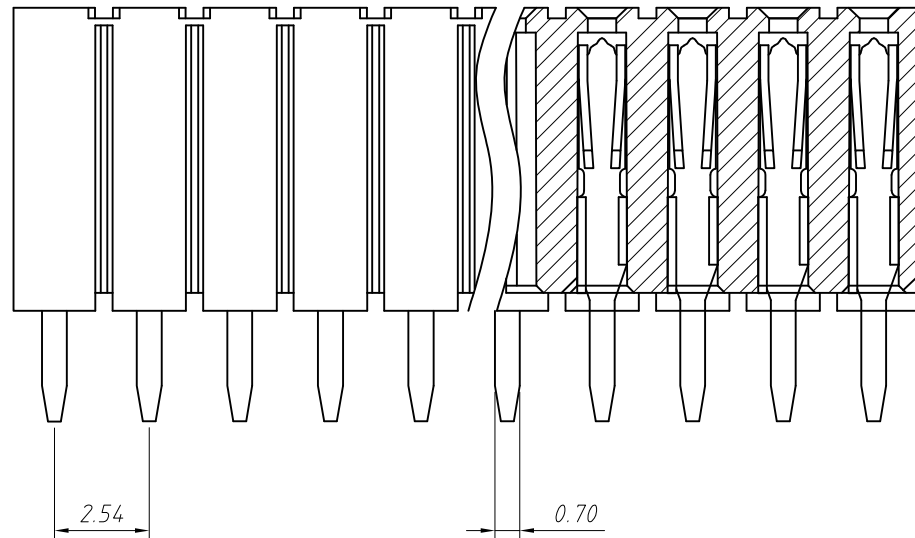
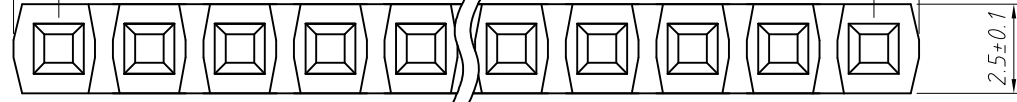


1 RoHS Compliance

2 $2.54 \times \text{No. of Positions} + 0.50 \pm 0.3$

3 $2.54 \times (N-1) \text{ Positions} \pm 0.2$

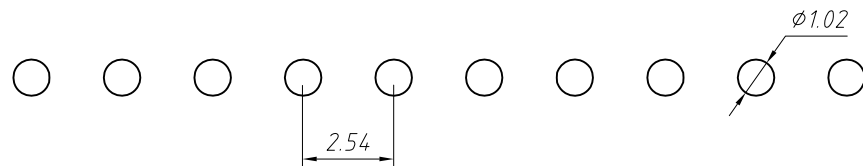


Material:
Standard:PBT
Contact: Phosphor Bronze
Contact plating:Au or Sn Over 50u" Ni
Insulator:Polyester,UL94V-0

Electrical Characteristics:
Rated Current: 3AMP
Contact Resistance: 20mΩ Max
Withstand Voltage: 1000V AC/DC
Insulator Resistance: 1000MΩ Min

Mechanical:
Operating Temperature: -40°C ~ +105°C
Max.Processing Temp:220°C for 30-60 seconds
 (235 for 5 seconds)

Order Information:
L-KLS1-208V-1-XX-S-A
 L: RoHS
 Pin Header Series
 208V:2.54mm
 Per Row:Single layer
 Pin: No. of Pins (1x40)
 Type: Straight Pin
 Material:A=PBT B=PA6T C=LCP



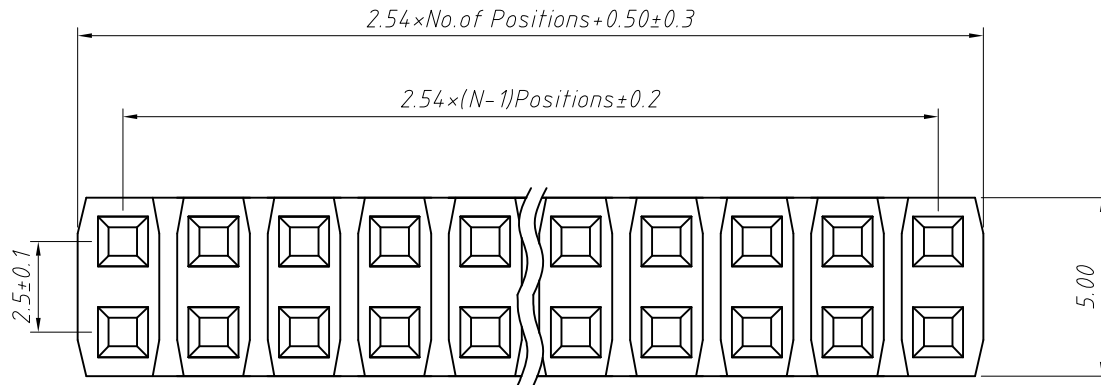
Recommended P.C.B Layout

ANGLE TOLERANCE	PROJECTION	Description:	2.54mm Female Header
±3°		Single layer, Straight Pin Dip 180°, 1xN Pin	
GENERAL TOLERANCE	UNITS	mm	KLS P/N:
x.x ±0.30	SHEET SIZE	A4	L-KLS1-208V-1-XX-S-A
x.xx ±0.20	Draw:	Daniel	2018-07-10
x.xxx ±0.10	Check:	Daniel	2018-07-10



NingBo KLS ELECTRONIC CO.,L TD.

RoHS Compliance



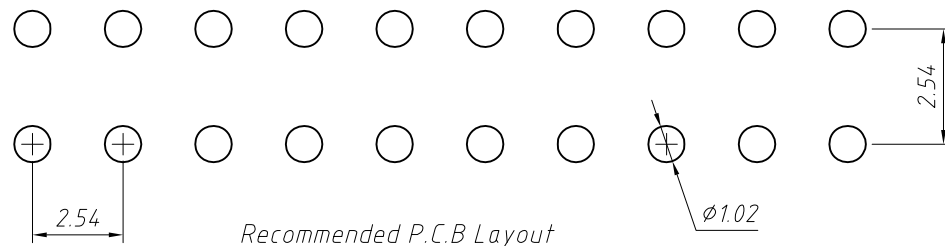
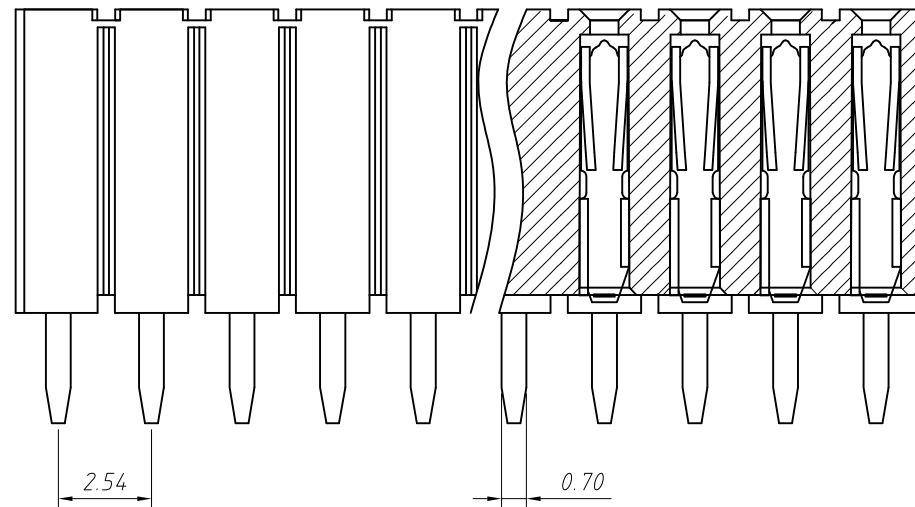
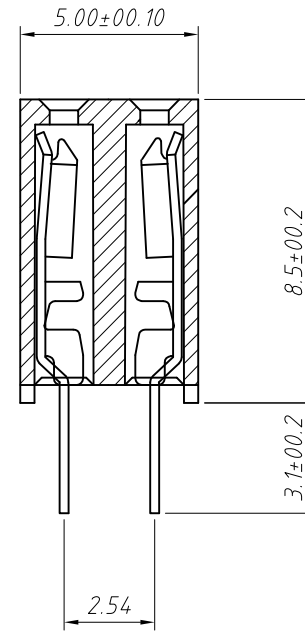
Material:
Standard:PBT
Contact: Brass
Contact plating:Au or Sn Over 50u" Ni
Insulator:Polyester,UL 94V-0

Electrical Characteristics:
Rated Current: 3AMP
Contact Resistance: 20mΩ Max
Withstand Voltage: 1000V AC/DC
Insulator Resistance: 1000MΩ Min

Mechanical:
Operating Temperature: -40°C ~ +105°C
Max.Processing Temp:220°C for 30-60 seconds
 (235 for 5 seconds)

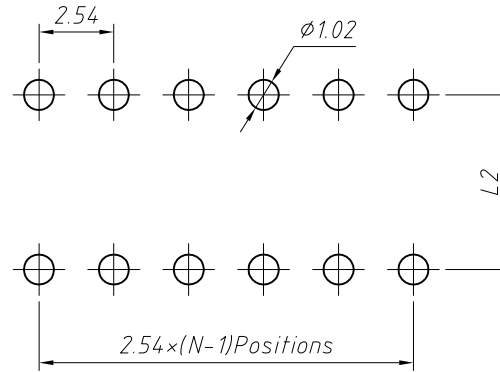
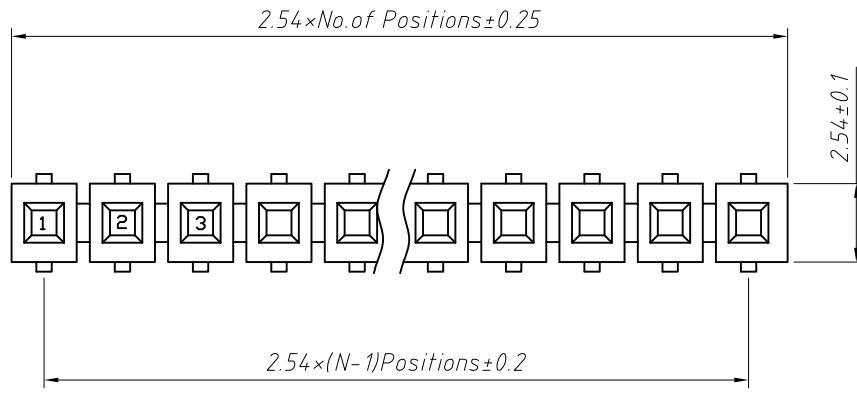
Order Information:
 L-KLS1-208V-2-XX-S-A

L: RoHS
 Pin Header Series
 208V:2.54mm
 Per Row:Double layer
 Pin: No. of Pins (02~80)
 Type: Straight Pin
 Material:A=PBT B=PA6T C=LCP



ANGLE TOLERANCE	PROJECTION	Description:	2.54mm Female Header
±3°			Double layer, Straight Pin Dip 180°, 2xN Pin
GENERAL TOLERANCE	UNITS	mm	KLS P/N: L-KLS1-208V-2-XX-S-A
x.x ±0.30	SHEET SIZE	A4	NingBo KLS ELECTRONIC CO.,L TD.
x.xx ±0.20	Draw:	Daniel 2018-07-10	
x.xxx ±0.10	Check:	Daniel 2018-07-10	

1 RoHS Compliance

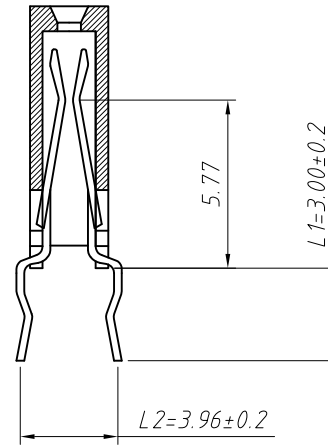
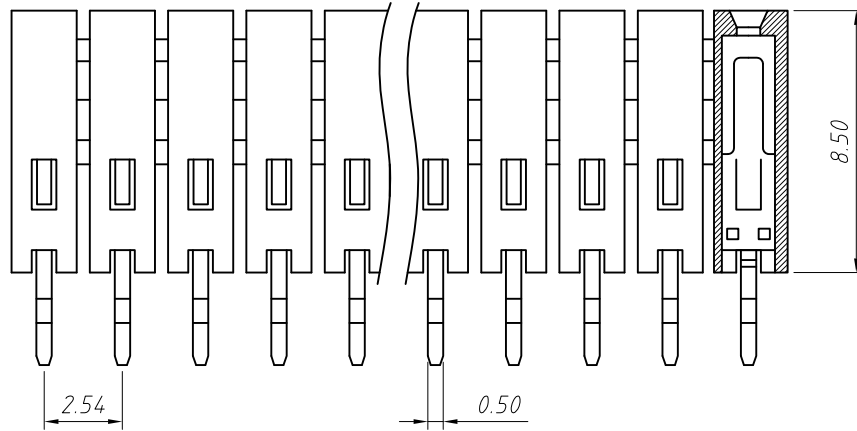


Recommended P.C.B Layout (Top Side)
(PCB BOARD TOLERANCE ± 0.05)

Material:
Standard: PA6T
Contact: Brass
Contact plating: Au or Sn Over Ni
Insulator: Polyester, UL 94V-0

Electrical Characteristics:
Rated Current: 3AMP
Contact Resistance: 20mΩ Max
Withstand Voltage: 500V AC/DC
Insulator Resistance: 1000MΩ Min

Mechanical:
Operating Temperature: -40°C ~ +105°C
Max. Processing Temp: 180°C for 30-60 seconds
(235 for 5 seconds)



Order Information:
L-KLS1-208V-1-XX-W-L1xL2-B-A

- L: RoHS
- Pin Header Series
- 208V: 2.54mm
- Per Row: Single layer
- Pin: No. of Pins (1x40)
- Type: Bottom Entry
- Size: L1xL2
- Material: A=PBT B=PA6T C=LCP
- Packing: A=Tray T=Tube

Dimension antitheses list (mm)

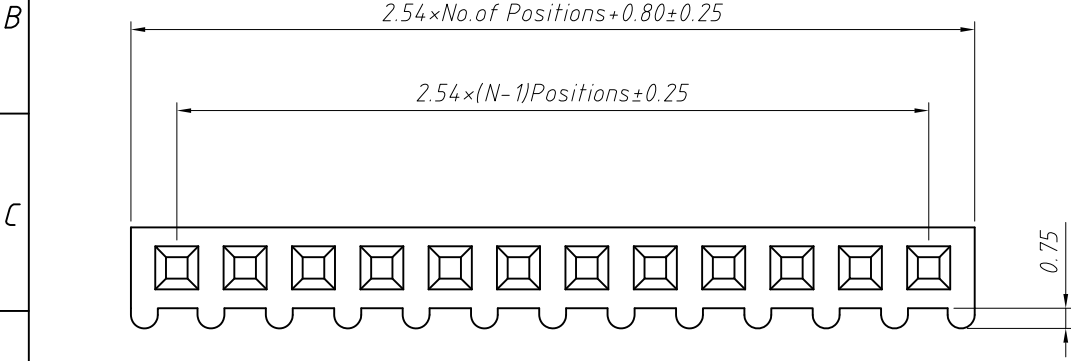
ITEM	L1	L2	Plastic Height
Standard	3.00	3.96	8.50
Nonstandard	---	---	---

ANGLE TOLERANCE	PROJECTION	Description:
±3°		2.54mm Female Header Single layer, Bottom Entry, 1xN Pin
GENERAL TOLERANCE	UNITS	mm
x.x ±0.30	SHEET SIZE	A4
x.xx ±0.20	Draw:	Daniel 2018-07-10
x.xxx ±0.10	Check:	Daniel 2018-07-10

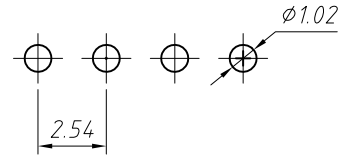


NingBo KLS ELECTRONIC CO.,L TD.

1 RoHS Compliance



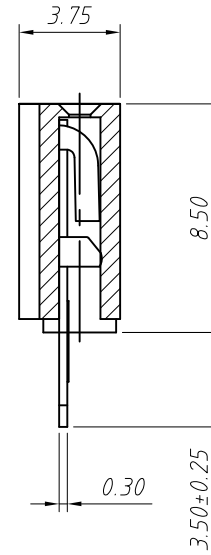
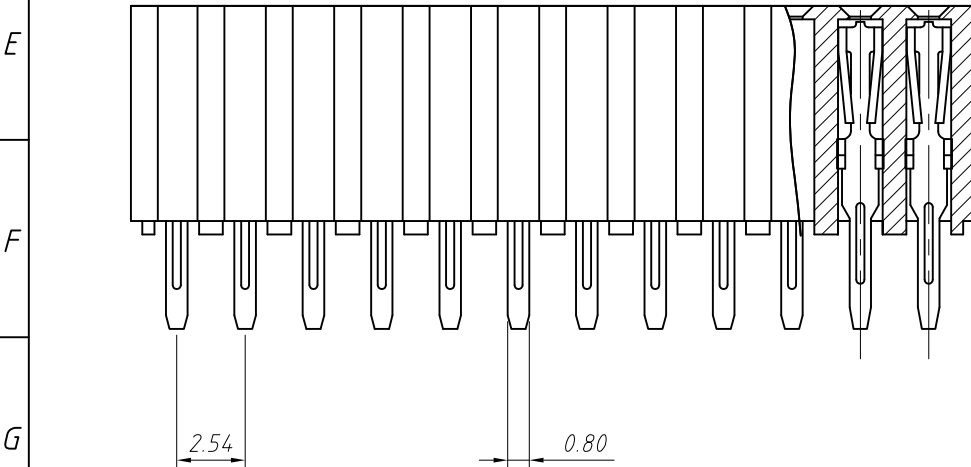
Recommended P.C.B Layout



Material:
Standard:PBT
Contact: Phosphor Bronze
Plating:Au or Sn Over 50u" Ni
Insulator:Polyester,UL 94V-0

Electrical Characteristics:
Rated Current: 3AMP
Contact Resistance: 20mΩ Max
Withstand Voltage: 600V AC/DC
Insulator Resistance: 1000MΩ Min

Mechanical:
Operating Temperature: -40°C ~ +105°C
Max.Processing Temp:220°C for 30-60 seconds
 (235 for 5 seconds)



Order Information:

L-KLS1-208V-1-XX-S1-A

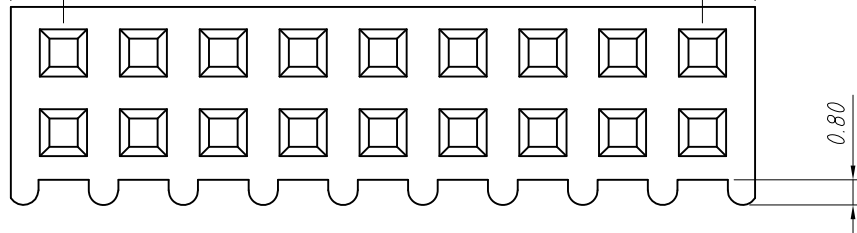
L: RoHS
 Pin Header Series
 208V:2.54mm
 Per Row:Single layer
 Pin: No. of Pins (1x40)
 Type: Straight Pin
 Material:A=PBT B=PA6T C=LCP

ANGLE TOLERANCE	PROJECTION	Description:	2.54mm Female Header	
±3°			Single layer, Straight Pin, 1xN Pin	
GENERAL TOLERANCE	UNITS	mm	KLS P/N:	L-KLS1-208V-1-XX-S1-A
x.x ±0.30	SHEET SIZE	A4		
x.xx ±0.20	Draw:	Daniel	2018-07-10	NingBo KLS ELECTRONIC CO.,L TD.
x.xxx ±0.10	Check:	Daniel	2018-07-10	

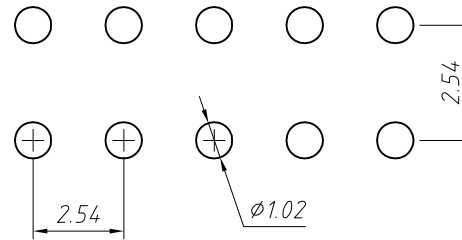
1 RoHS Compliance

2.54×No.of Positions+0.80±0.3

2.54×(N-1)Positions±0.2



Recommended P.C.B Layout



Material:

Standard:PBT

Contact: Phosphor Bronze

Contact plating: Au or Sn Over 50u" Ni

Insulator: Polyester, UL 94V-0

Electrical Characteristics:

Rated Current: 3AMP

Contact Resistance: 20mΩ Max

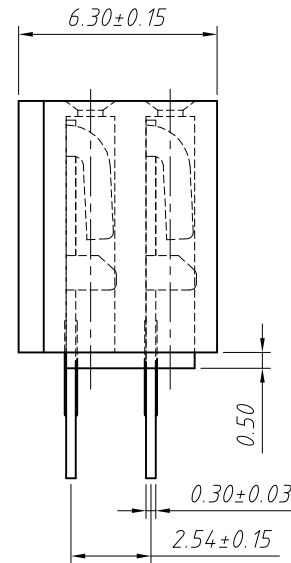
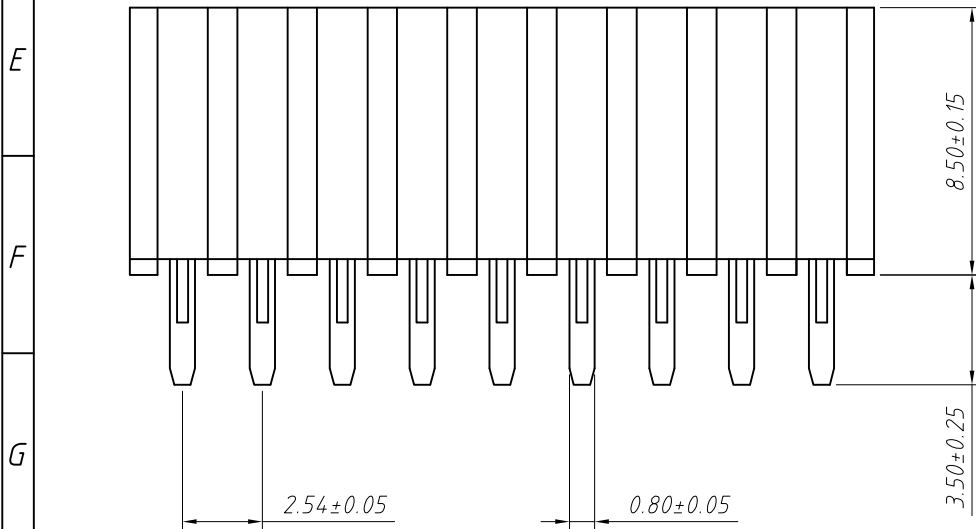
Withstand Voltage: 500V AC/DC

Insulator Resistance: 5000MΩ Min

Mechanical:

Operating Temperature: -40°C ~ +105°C

Max.Processing Temp: 220°C for 30-60 seconds
(235 for 5 seconds)



Order Information:

L-KLS1-208V-2-XX-S1-A

L: RoHS

Pin Header Series

208V: 2.54mm

Per Row: Double layer

Pin: No. of Pins (02~80)

Type: Straight Pin

Material: A=PBT B=PA6T C=LCP

ANGLE TOLERANCE	PROJECTION	Description:	2.54mm Female Header	
±3°			Double layer, Straight Pin, 2xN Pin	
GENERAL TOLERANCE	UNITS	mm	KLS P/N:	L-KLS1-208V-2-XX-S1-A
x.x ±0.30	SHEET SIZE	A4		
x.xx ±0.20	Draw:	Daniel	2018-07-10	
x.xxx ±0.10	Check:	Daniel	2018-07-10	



NingBo KLS ELECTRONIC CO.,L TD.