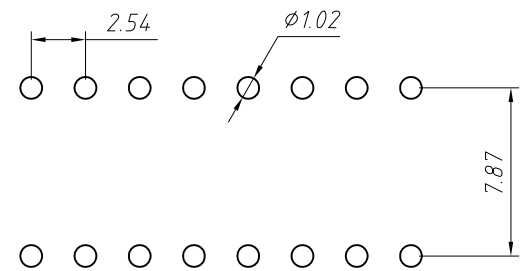
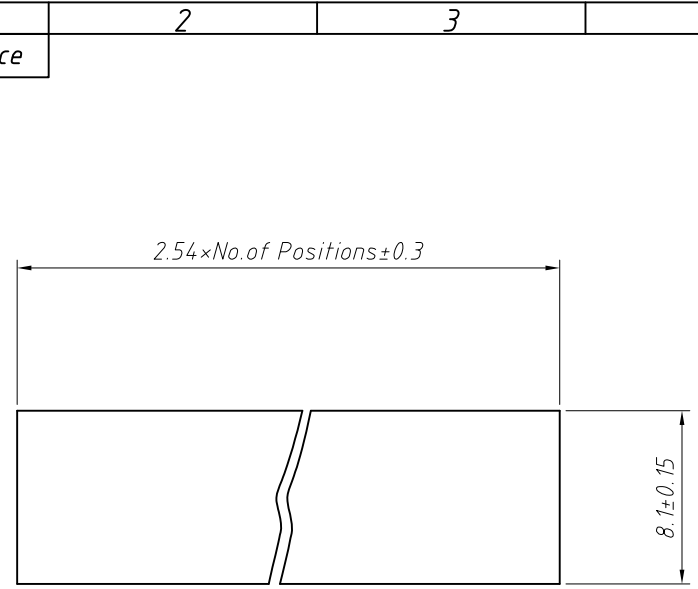


1
RoHS Compliance

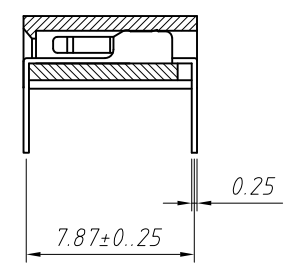
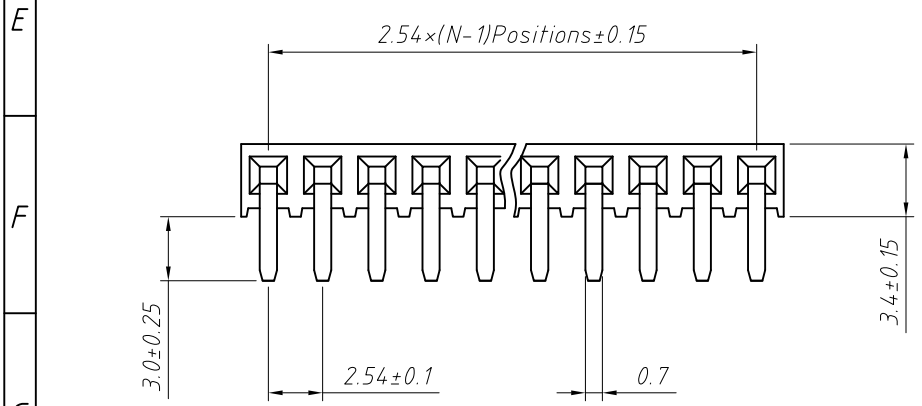


Recommended P.C.B Layout (Top Side)
(PCB BOARD TOLERANCE ± 0.05)

Material:
Standard: PBT/PA6T
Contact: Brass
Contact plating: Au or Sn Over Ni
Nickel Insulator: Polyester, UL 94 V-0

Electrical Characteristics:
Rated Current: 3.0AMP
Contact Resistance: 20mΩ Max
Withstand Voltage: 1000V AC/DC
Insulator Resistance: 1000MΩ Min

Mechanical
Operating Temperature: -40°C ~ +105°C
Max. Processing Temp: 230°C for 30-60 seconds (260°C for 10 seconds)

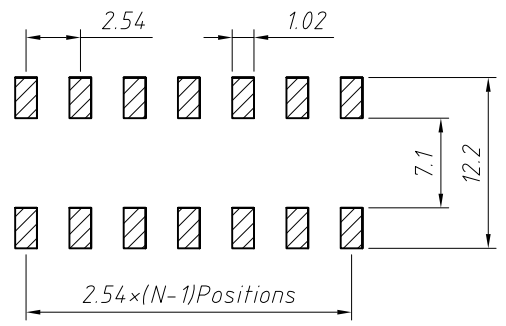
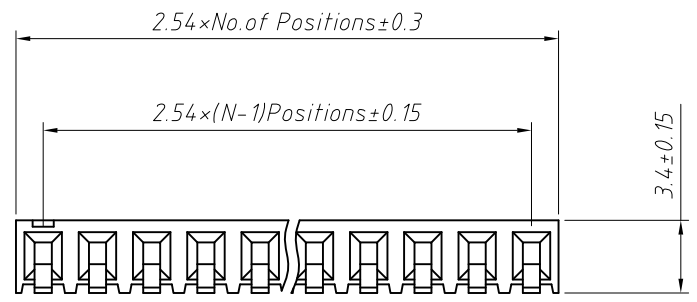


Order Information:
L-KLS1-208A-8.1-1-XX-R-B

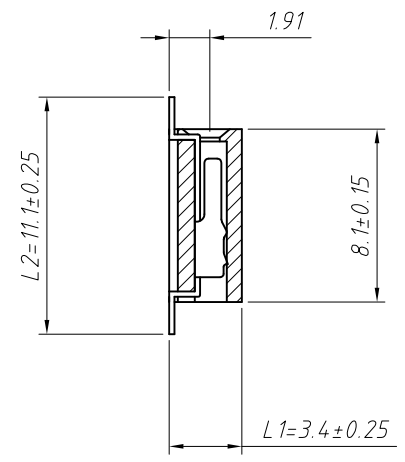
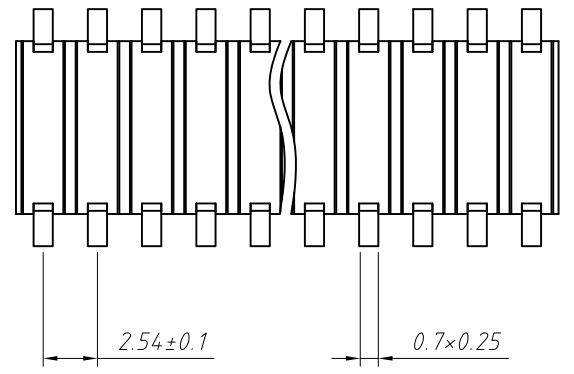
L: RoHS
Pin Header Series
208A: 2.54mm
Plastics Height: 3.4mm
Per Row: Single layer
Pin: No. of Pins (1x40)
Type: Horizontal DIP
Material: A=PBT B=PA6T C=LCP

ANGLE TOLERANCE	PROJECTION	Description:	2.54x8.1x3.4mm Female Header Horizontal DIP, 1xN Pin
±3°			
GENERAL TOLERANCE	UNITS	mm	KLS P/N: L-KLS1-208A-8.1-1-XX-R-B
x.x ±0.30	SHEET SIZE	A4	NingBo KLS ELECTRONIC CO.,L TD.
x.xx ±0.20	Draw:	Daniel	
x.xxx ±0.10	Check:	Daniel	

1
RoHS Compliance



Recommended P.C.B Layout (Top Side)
(PCB BOARD TOLERANCE ± 0.05)



T=Without Post

Material:
Standard: PA6T
Contact: Brass
Contact plating: Au or Sn Over Ni
Nickel Insulator: Polyester, UL 94V-0

Electrical Characteristics:
Rated Current: 3.0AMP
Contact Resistance: 20mΩ Max
Withstand Voltage: 1000V AC/DC
Insulator Resistance: 1000MΩ Min

Mechanical
Operating Temperature: -40°C ~ +105°C
Max. Processing Temp: 230°C for 30-60 seconds (260°C for 10 seconds)

Order Information:
L-KLS1-208A-8.1-1-XX-T-L1xL2-B-R
L: RoHS
Pin Header Series
208A: 2.54mm
Plastics Height: 3.4mm
Per Row: Single layer
Pin: No. of Pins (1x40)
SMT: T=Without Post, T3=With
Post Size: L1xL2
Material: A=PBT B=PA6T C=LCP
Packing:
A=Tray T=Tube M=Reel+Mylar
P=Tube+Cap R=Reel+Cap

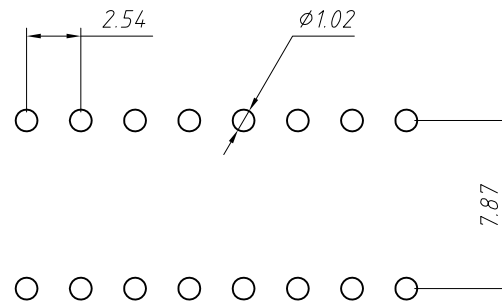
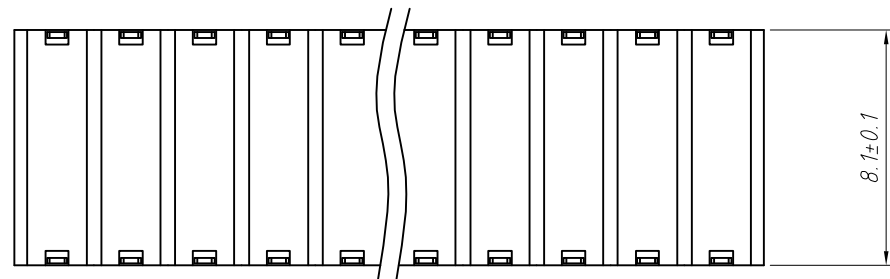
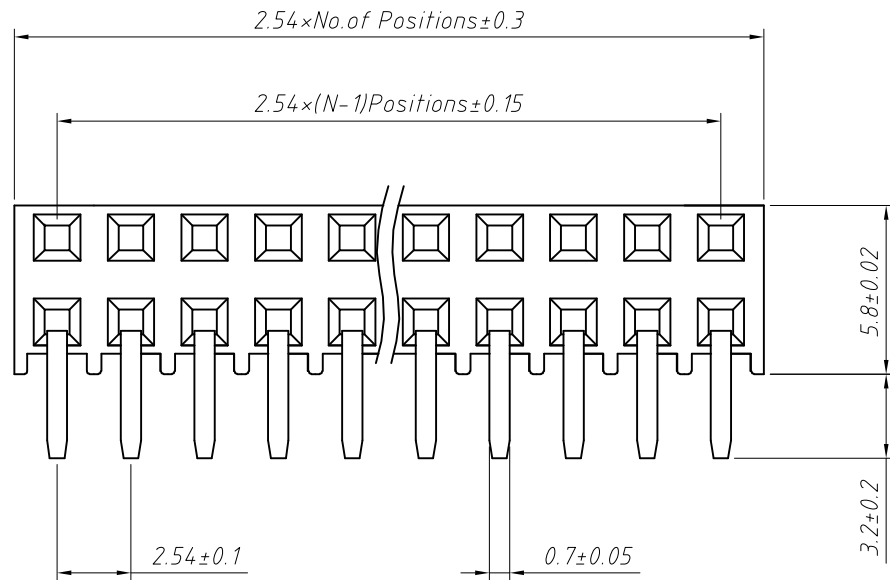
Dimension antitheses list (mm)			
ITEM	L1	L2	Plastic Height
Standard	3.40	11.10	3.40
Nonstandard	---	---	---

ANGLE TOLERANCE	PROJECTION	Description:	2.54x8.1x3.4mm Female Header Horizontal SMT, 1xN Pin
±3°			
GENERAL TOLERANCE	UNITS	mm	KLS P/N: L-KLS1-208A-8.1-1-XX-T-L1xL2-B-R
x.x ±0.30	SHEET SIZE	A4	
x.xx ±0.20	Draw:	Daniel	2018-07-10
x.xxx ±0.10	Check:	Daniel	2018-07-10

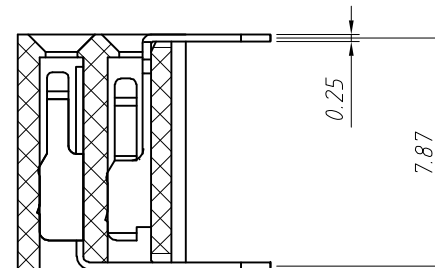


NingBo KLS ELECTRONIC CO.,L TD.

RoHS Compliance



Recommended P.C.B Layout (Top Side)
(PCB BOARD TOLERANCE ± 0.05)



Material:
Standard: PBT/PA6T
Contact: Brass
Plating: Au or Sn Over 50u" Ni
Nickel Insulator: Polyester, UL 94V-0

Electrical Characteristics:
Rated Current: 3.0AMP
Contact Resistance: 20mΩ Max
Withstand Voltage: 1000V AC/DC
Insulator Resistance: 1000MΩ Min

Mechanical
Operating Temperature: -40°C ~ +105°C
Max. Processing Temp: 230°C for 30-60 seconds (260°C for 10 seconds)

Order Information:
L-KLS1-208A-5.9-2-XX-R-B

- L: RoHS
- Pin Header Series
- 208A: 2.54mm
- Plastics Height: 5.9mm
- Per Row: Double layer
- Pin: No. of Pins (02~80)
- Type: Horizontal DIP
- Material: A=PBT B=PA6T C=LCP

ANGLE TOLERANCE	PROJECTION	Description:	2.54x8.1x5.9mm Female Header Horizontal DIP, 2xN Pin
±3°			
GENERAL TOLERANCE	UNITS	mm	KLS P/N:
x.x ±0.30	SHEET SIZE	A4	L-KLS1-208A-5.9-2-XX-R-B
x.xx ±0.20	Draw:	Daniel	2018-07-10
x.xxx ±0.10	Check:	Daniel	2018-07-10



NingBo KLS ELECTRONIC CO., L TD.

1 RoHS Compliance

A

B

C

D

E

F

G

H

$2.54 \times \text{No. of Positions} \pm 0.3$

$2.54 \times (N-1) \text{ Positions} \pm 0.15$

2.54

1.02

7.1
12.2

$2.54 \times (N-1) \text{ Positions}$

Recommended P.C.B Layout (Top Side)
(PCB BOARD TOLERANCE ± 0.05)

Material:

Standard: PA6T

Contact: Phosphor Bronze

Contact plating: Au or Sn Over 50n" Ni

Nickel Insulator: Polyester, UL94V-0

Electrical Characteristics:

Rated Current: 3.0AMP

Contact Resistance: 20m Ω Max

Withstand Voltage: 1000V AC/DC

Insulator Resistance: 1000M Ω Min

Mechanical

Operating Temperature: $-40^{\circ}\text{C} \sim +105^{\circ}\text{C}$

Max. Processing Temp: 240°C for 30-60 seconds (260°C for 10 seconds)

Order Information:

L-KLS1-208A-5.9-2-XX-T-L1xL2-B-R

L: RoHS

Pin Header Series

208A: 2.54mm

Plastics Height: 5.9mm

Per Row: Double layer

Pin: No. of Pins (02~80)

SMT: T=Without Post, T3=With Post

Size: L1xL2

Material: A=PBT B=PA6T C=LCP

Packing:

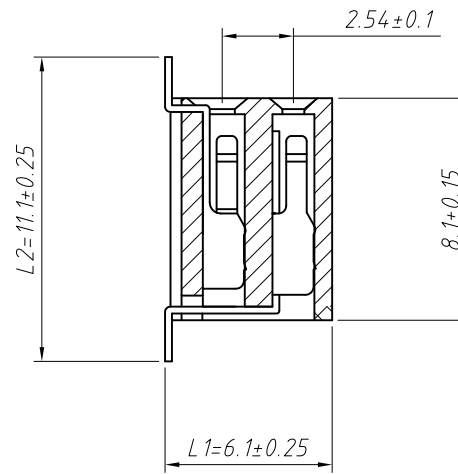
A=Tray

T=Tube

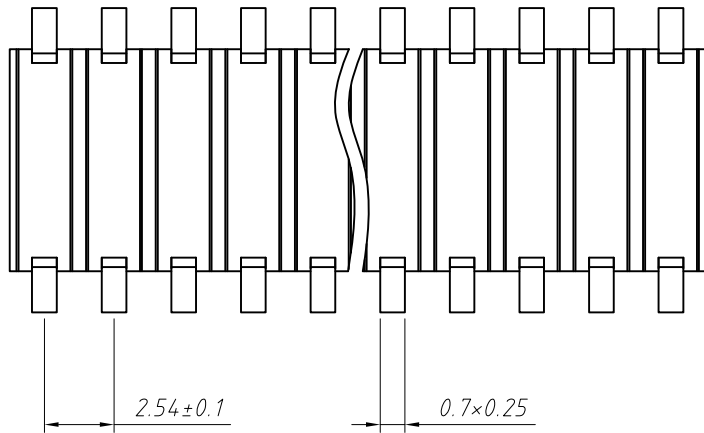
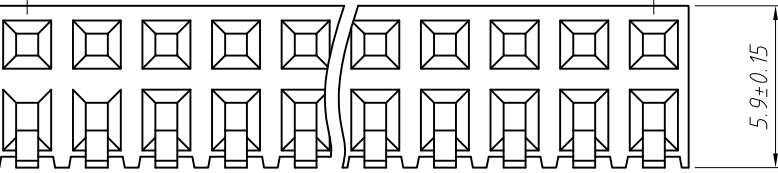
M=Reel+Mylar

P=Tube+Cap

R=Reel+Cap



T=Without Post



Dimension antitheses list (mm)

ITEM	L1	L2	Plastic Height
Standard	6.10	11.10	5.90
Nonstandard	---	---	---

ANGLE TOLERANCE	PROJECTION	Description:	
$\pm 3^{\circ}$			2.54x8.1x5.9mm Female Header Horizontal SMT, 2xN Pin
GENERAL TOLERANCE	UNITS	mm	KLS P/N:
x.x ± 0.30	SHEET SIZE	A4	L-KLS1-208A-5.9-2-XX-T-L1xL2-B-R
x.xx ± 0.20	Draw:	Daniel	2018-07-10
x.xxx ± 0.10	Check:	Daniel	2018-07-10



NingBo KLS ELECTRONIC CO.,L TD.