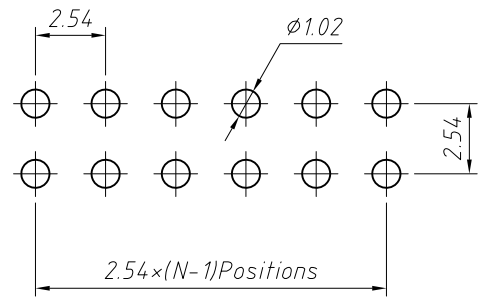
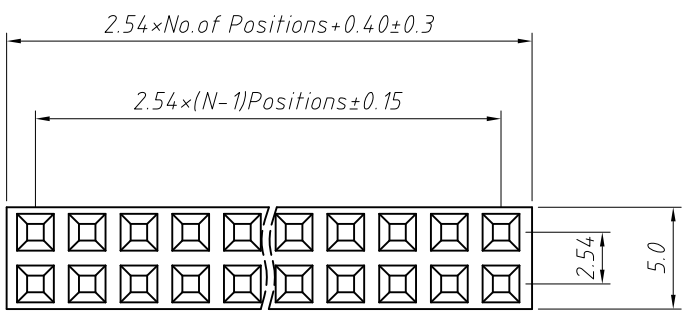
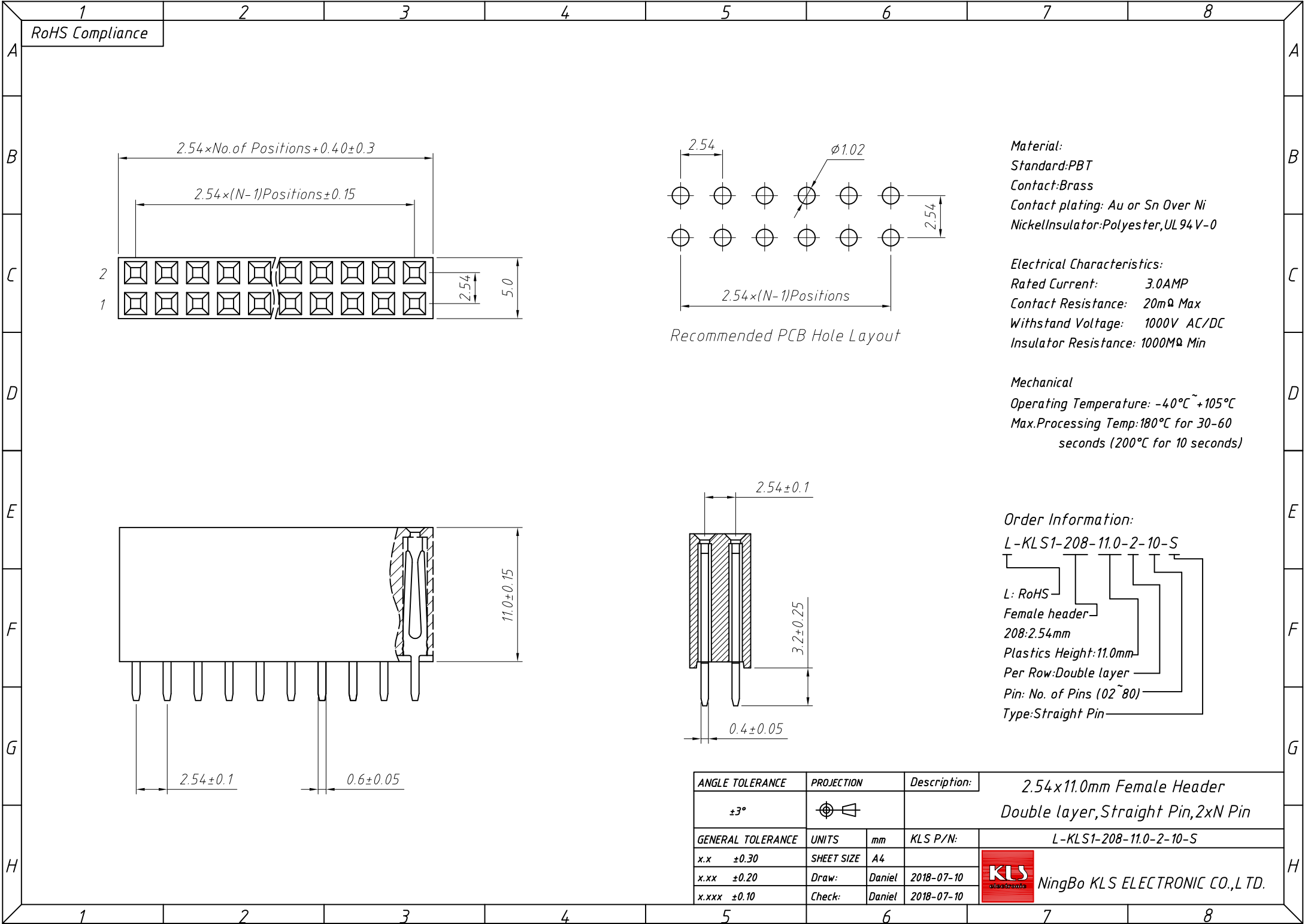


1  
RoHS Compliance

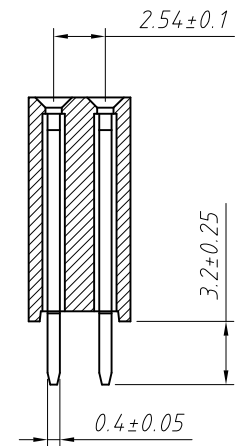
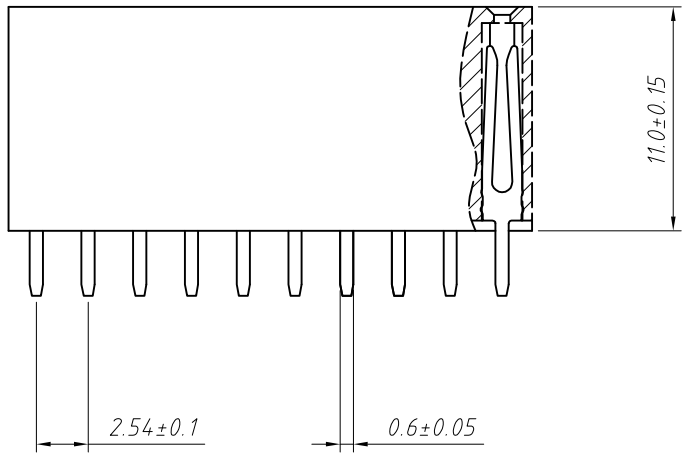


Recommended PCB Hole Layout

**Material:**  
 Standard: PBT  
 Contact: Brass  
 Contact plating: Au or Sn Over Ni  
 Nickel Insulator: Polyester, UL 94 V-0

**Electrical Characteristics:**  
 Rated Current: 3.0AMP  
 Contact Resistance: 20mΩ Max  
 Withstand Voltage: 1000V AC/DC  
 Insulator Resistance: 1000MΩ Min

**Mechanical**  
 Operating Temperature: -40°C ~ +105°C  
 Max. Processing Temp: 180°C for 30-60 seconds (200°C for 10 seconds)



**Order Information:**  
 L-KLS1-208-11.0-2-10-S  
 L: RoHS  
 Female header  
 208: 2.54mm  
 Plastics Height: 11.0mm  
 Per Row: Double layer  
 Pin: No. of Pins (02~80)  
 Type: Straight Pin

|                   |            |              |                                     |                        |
|-------------------|------------|--------------|-------------------------------------|------------------------|
| ANGLE TOLERANCE   | PROJECTION | Description: | 2.54x11.0mm Female Header           |                        |
| ±3°               |            |              | Double layer, Straight Pin, 2xN Pin |                        |
| GENERAL TOLERANCE | UNITS      | mm           | KLS P/N:                            | L-KLS1-208-11.0-2-10-S |
| x.x ±0.30         | SHEET SIZE | A4           |                                     |                        |
| x.xx ±0.20        | Draw:      | Daniel       | 2018-07-10                          |                        |
| x.xxx ±0.10       | Check:     | Daniel       | 2018-07-10                          |                        |

**NingBo KLS ELECTRONIC CO., L TD.**