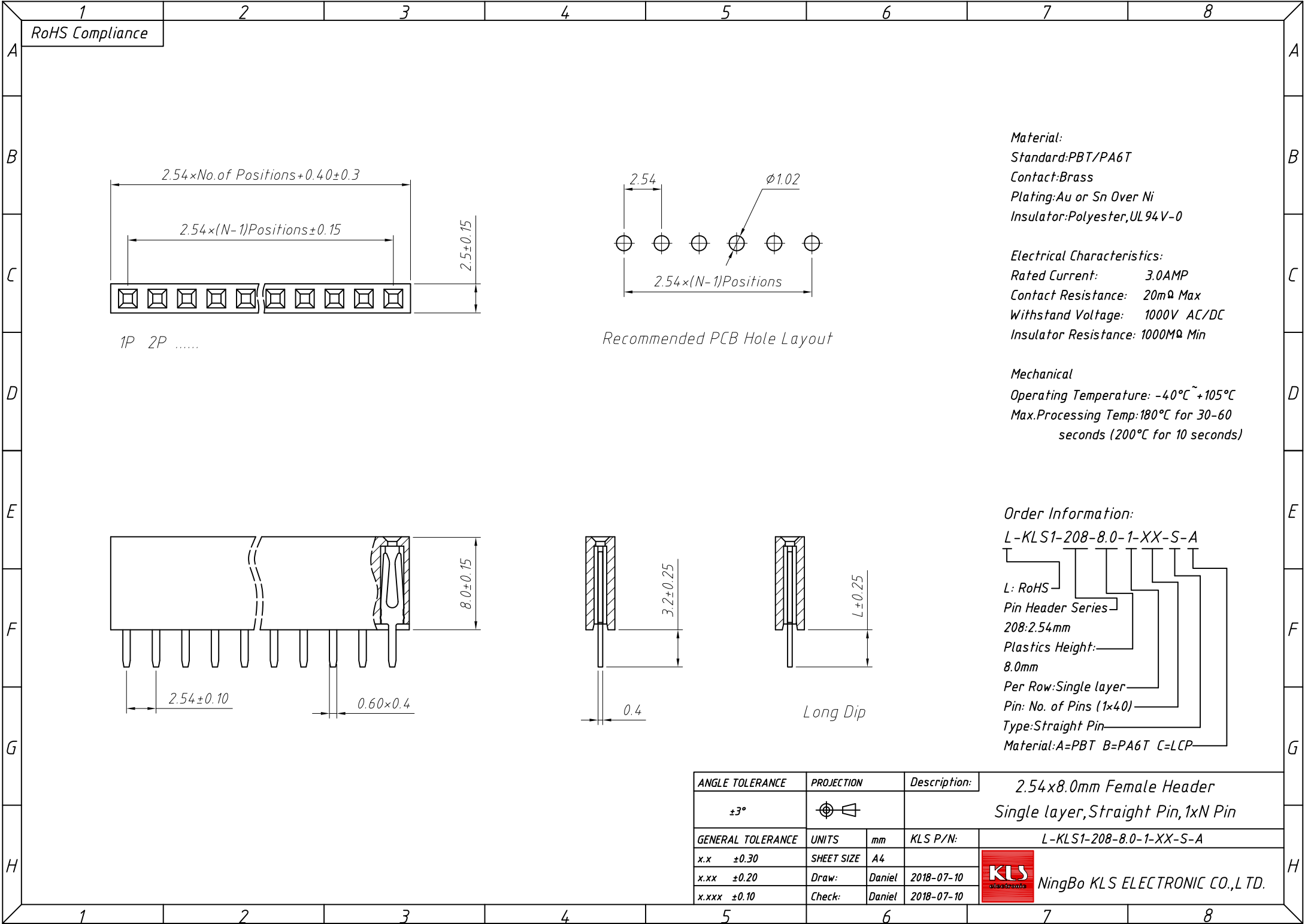


1
RoHS Compliance



Material:
 Standard:PBT/PA6T
 Contact:Brass
 Plating: Au or Sn Over Ni
 Insulator: Polyester, UL 94 V-0

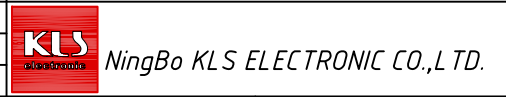
Electrical Characteristics:
 Rated Current: 3.0AMP
 Contact Resistance: 20mΩ Max
 Withstand Voltage: 1000V AC/DC
 Insulator Resistance: 1000MΩ Min

Mechanical
 Operating Temperature: -40°C~+105°C
 Max.Processing Temp:180°C for 30-60 seconds (200°C for 10 seconds)

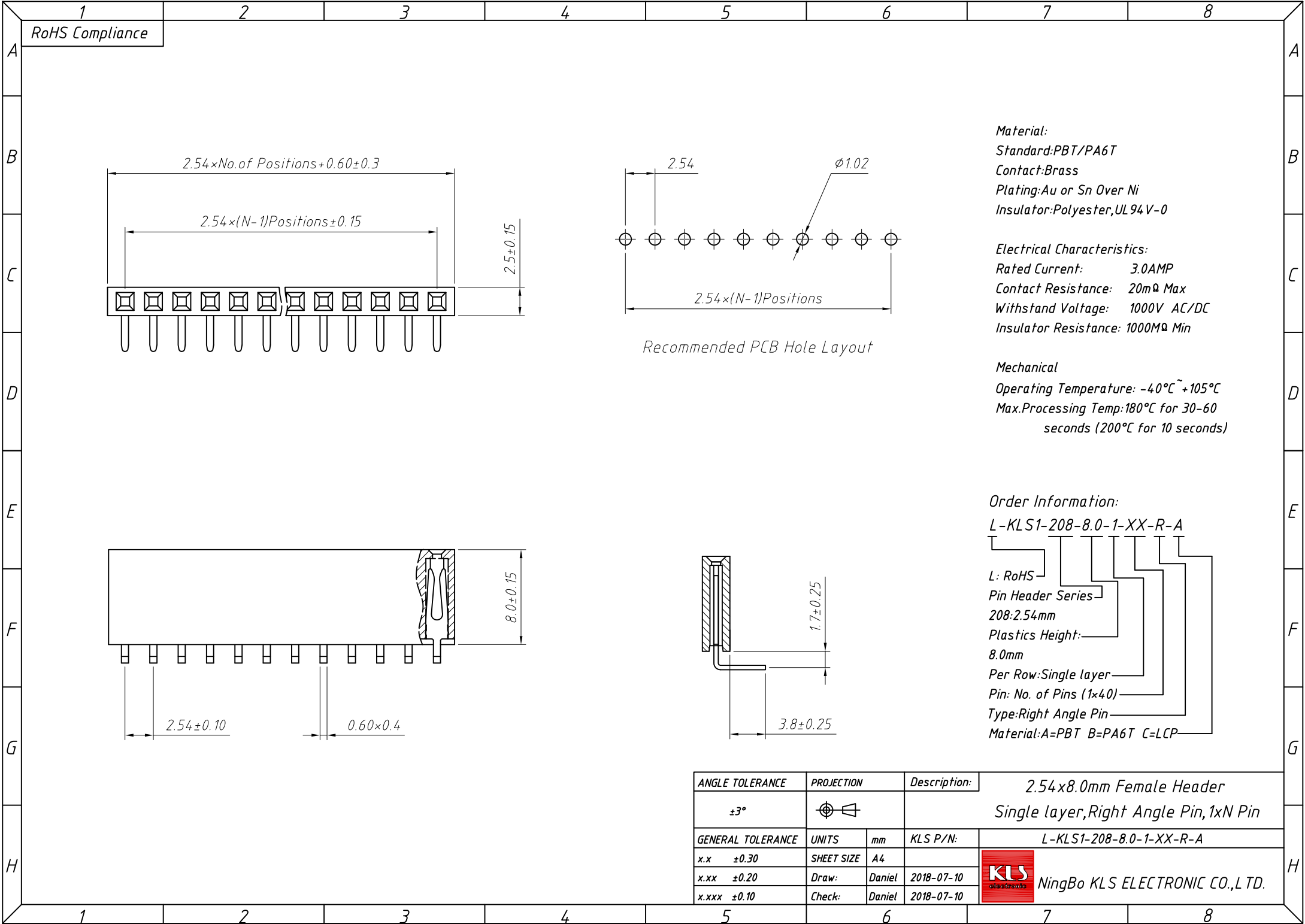
Order Information:
 L-KLS1-208-8.0-1-XX-S-A

L: RoHS
 Pin Header Series
 208:2.54mm
 Plastics Height:
 8.0mm
 Per Row:Single layer
 Pin: No. of Pins (1x40)
 Type: Straight Pin
 Material:A=PBT B=PA6T C=LCP

ANGLE TOLERANCE	PROJECTION	Description:	2.54x8.0mm Female Header Single layer, Straight Pin, 1xN Pin
±3°			
GENERAL TOLERANCE	UNITS	mm	KLS P/N: L-KLS1-208-8.0-1-XX-S-A
x.x ±0.30	SHEET SIZE	A4	
x.xx ±0.20	Draw:	Daniel	2018-07-10
x.xxx ±0.10	Check:	Daniel	2018-07-10



1
RoHS Compliance



Material:
Standard:PBT/PA6T
Contact:Brass
Plating:Au or Sn Over Ni
Insulator:Polyester,UL 94V-0

Electrical Characteristics:
Rated Current: 3.0AMP
Contact Resistance: 20mΩ Max
Withstand Voltage: 1000V AC/DC
Insulator Resistance: 1000MΩ Min

Mechanical
Operating Temperature: -40°C~+105°C
Max.Processing Temp:180°C for 30-60 seconds (200°C for 10 seconds)

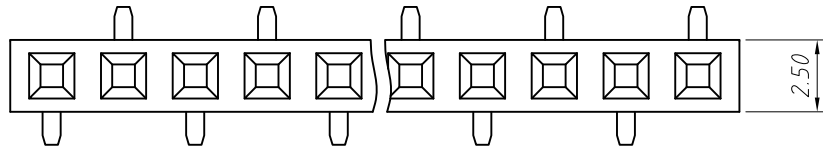
Order Information:
L-KLS1-208-8.0-1-XX-R-A

L: RoHS
Pin Header Series
208:2.54mm
Plastics Height:
8.0mm
Per Row:Single layer
Pin: No. of Pins (1x40)
Type:Right Angle Pin
Material:A=PBT B=PA6T C=LCP

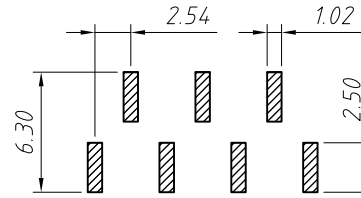
ANGLE TOLERANCE	PROJECTION	Description:	2.54x8.0mm Female Header
±3°			Single layer,Right Angle Pin,1xN Pin
GENERAL TOLERANCE	UNITS	mm	KLS P/N:
x.x ±0.30	SHEET SIZE	A4	L-KLS1-208-8.0-1-XX-R-A
x.xx ±0.20	Draw:	Daniel	2018-07-10
x.xxx ±0.10	Check:	Daniel	2018-07-10



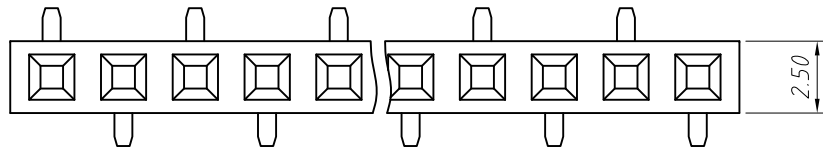
1 RoHS Compliance



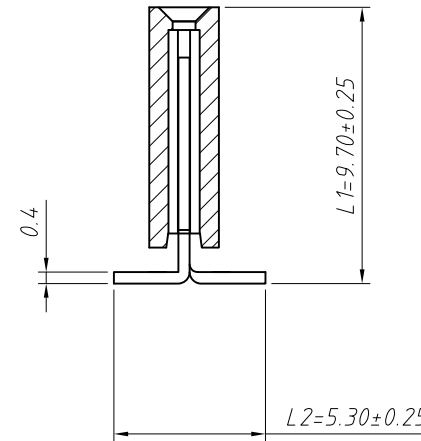
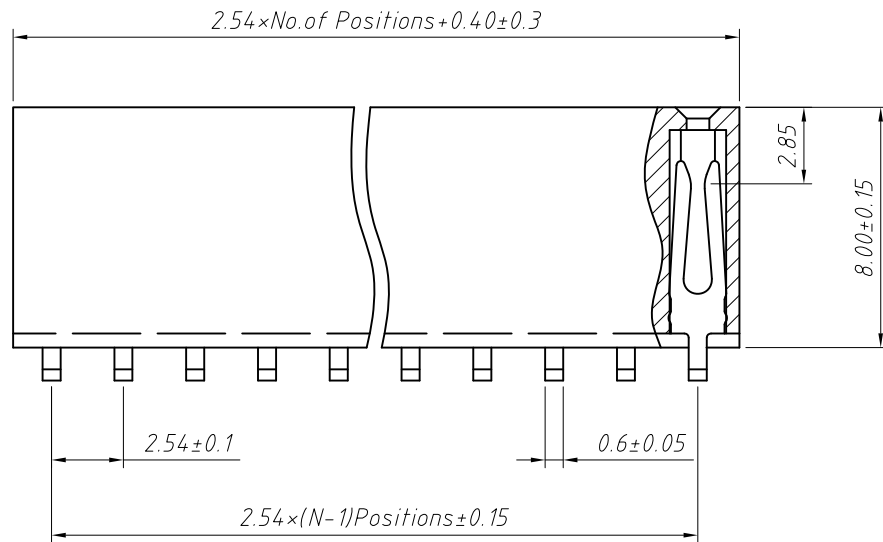
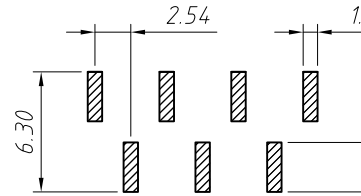
T2 Type



Recommended PCB Hole Layout



T1 Type



Material:
 Standard: PA6T
 Contact: Brass
 Contact plating: Au or Sn over 50u" Ni
 Nickel Insulator: Polyester, UL94V-0

Electrical Characteristics:
 Rated Current: 3.0AMP
 Contact Resistance: 20mΩ Max
 Withstand Voltage: 1000V AC/DC
 Insulator Resistance: 1000MΩ Min

Mechanical
 Operating Temperature: -40°C ~ +105°C
 Max. Processing Temp: 230°C for 30-60 seconds (260°C for 10 seconds)

Order Information:

L-KLS1-208-8.0-1-XX-T1-L1xL2-N-B-R

L: RoHS
 Pin Header Series
 208: 2.54mm
 Plastics Height: 8.0mm
 Per Row: Single layer
 Pin: No. of Pins (1x40)
 SMT Pin: T1 Type T2 Type
 Size: L1xL2
 Post: W=With Post N=W/O Post
 Material: A=PBT B=PA6T C=LCP
 Packing:
 A=Tray T=Tube M=Reel+Mylar
 P=Tube+Cap R=Reel+Cap

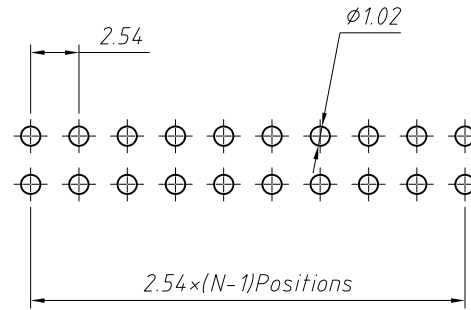
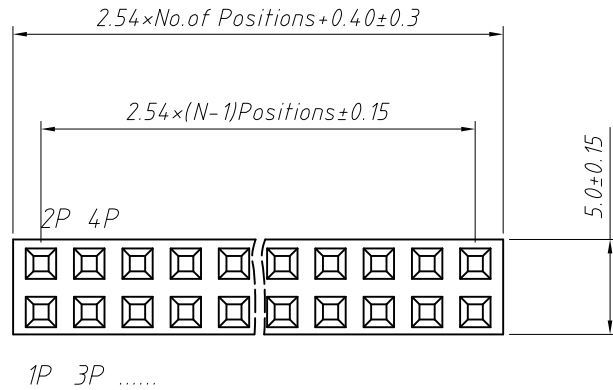
Dimension antitheses list (mm)			
ITEM	L1	L2	Plastic Height
Standard	9.70	5.30	8.00
Nonstandard	---	---	---

ANGLE TOLERANCE	PROJECTION	Description:	2.54x8.0mm Female Header Single layer, SMT Pin, 1xN Pin
±3°			
GENERAL TOLERANCE	UNITS	mm	KLS P/N:
x.x ±0.30	SHEET SIZE	A4	L-KLS1-208-8.0-1-XX-T1-L1xL2-N-B-R
x.xx ±0.20	Draw:	Daniel	2018-07-10
x.xxx ±0.10	Check:	Daniel	2018-07-10



NingBo KLS ELECTRONIC CO.,L TD.

RoHS Compliance

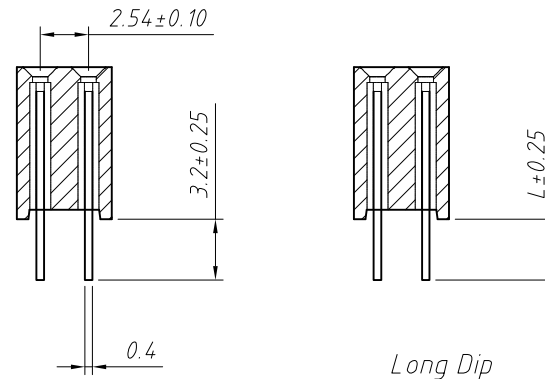
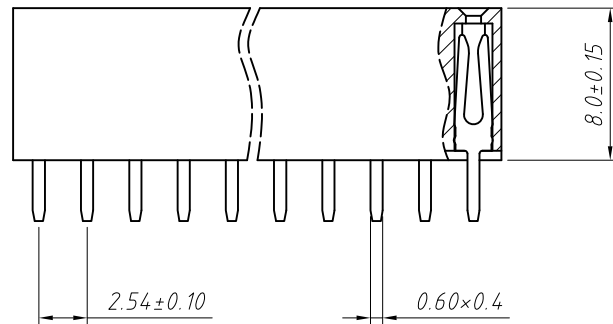


Recommended PCB Hole Layout

Material:
 Standard: PBT/PA6T
 Contact: Brass
 Plating: Au or Sn Over Ni
 Insulator: Polyester, UL 94V-0

Electrical Characteristics:
 Rated Current: 3.0AMP
 Contact Resistance: 20mΩ Max
 Withstand Voltage: 1000V AC/DC
 Insulator Resistance: 1000MΩ Min

Mechanical
 Operating Temperature: $-40^{\circ}\text{C} \sim +105^{\circ}\text{C}$
 Max. Processing Temp: 180°C for 30-60 seconds (200°C for 10 seconds)



Order Information:

L-KLS1-208-8.0-2-XX-S-A

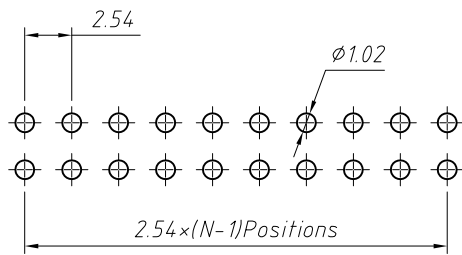
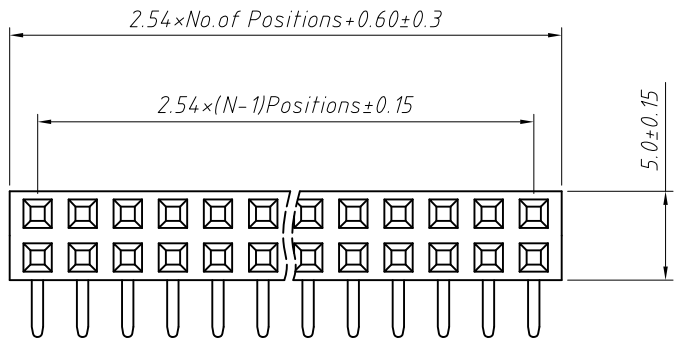
L: RoHS
 Pin Header Series
 208: 2.54mm
 Plastics Height: 8.0mm
 Per Row: Double layer
 Pin: No. of Pins (02~80)
 Type: Straight Pin
 Material: A=PBT B=PA6T C=LCP

ANGLE TOLERANCE	PROJECTION	Description:
$\pm 3^{\circ}$		2.54x8.0mm Female Header Double layer, Straight Pin, 2xN Pin
GENERAL TOLERANCE	UNITS	mm
x.x ± 0.30	SHEET SIZE	A4
x.xx ± 0.20	Draw:	Daniel 2018-07-10
x.xxx ± 0.10	Check:	Daniel 2018-07-10

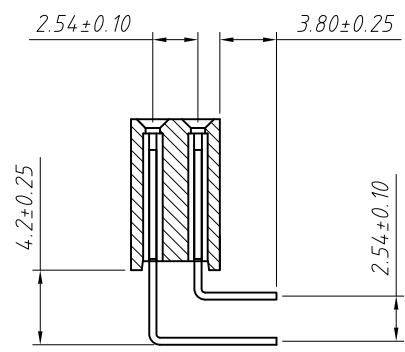
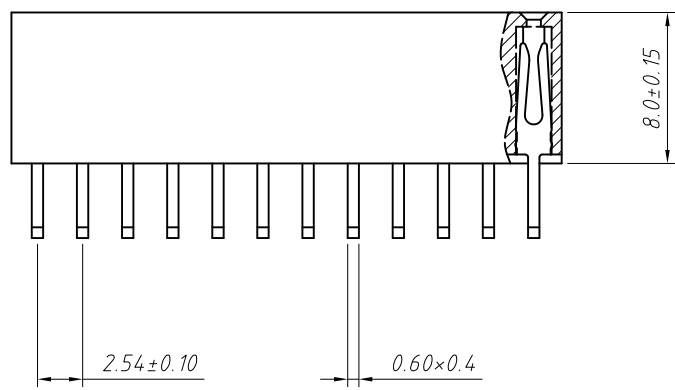


NingBo KLS ELECTRONIC CO.,L TD.

RoHS Compliance



Recommended PCB Hole Layout



Material:
 Standard: PBT/PA6T
 Contact: Brass
 Plating: Au or Sn Over Ni
 Insulator: Polyester, UL94V-0

Electrical Characteristics:
 Rated Current: 3.0AMP
 Contact Resistance: 20mΩ Max
 Withstand Voltage: 1000V AC/DC
 Insulator Resistance: 1000MΩ Min

Mechanical
 Operating Temperature: -40°C ~ +105°C
 Max. Processing Temp: 180°C for 30-60 seconds (200°C for 10 seconds)

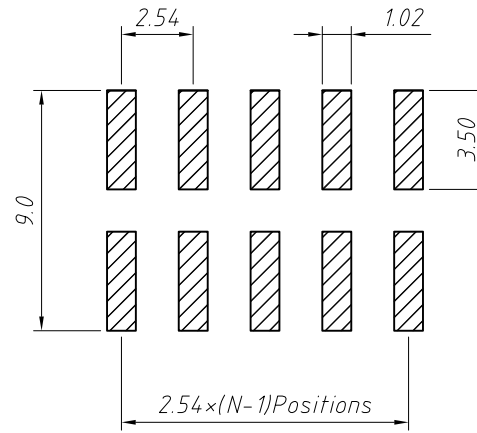
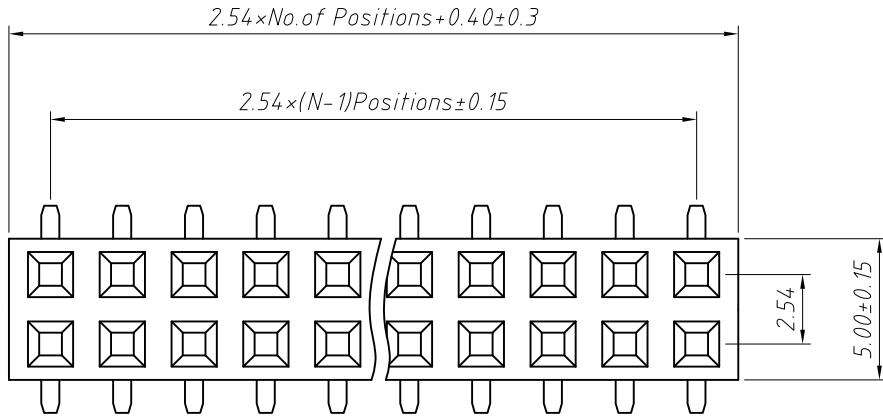
Order Information:
 L-KLS1-208-8.0-2-XX-R-A

- L: RoHS
- Pin Header Series: 208: 2.54mm
- Plastics Height: 8.0mm
- Per Row: Double layer
- Pin: No. of Pins (02~80)
- Type: Right Angle Pin
- Material: A=PBT B=PA6T C=LCP

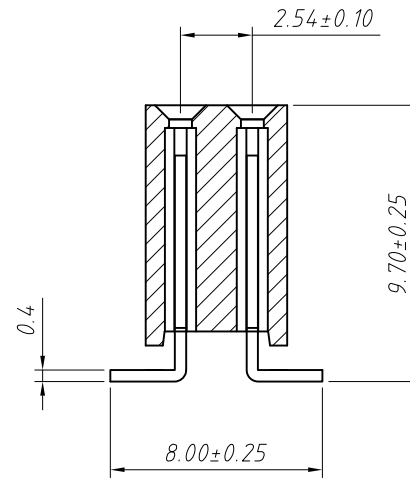
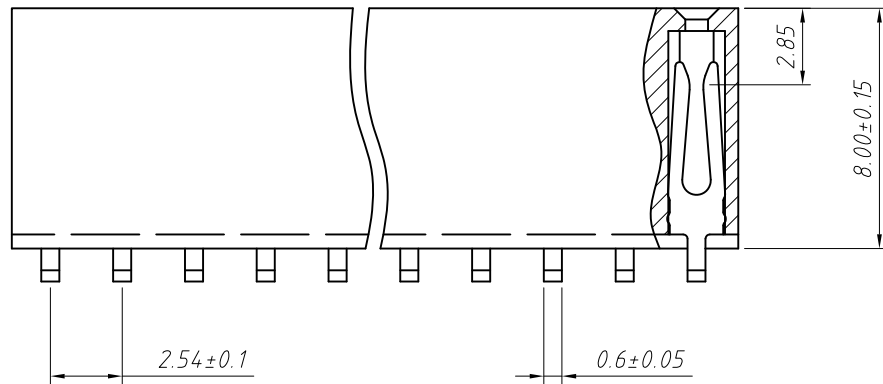
ANGLE TOLERANCE	PROJECTION	Description:
±3°		2.54x8.0mm Female Header Double layer, Right Angle Pin, 2xN Pin
GENERAL TOLERANCE	UNITS	mm
x.x ±0.30	SHEET SIZE	A4
x.xx ±0.20	Draw:	Daniel 2018-07-10
x.xxx ±0.10	Check:	Daniel 2018-07-10

NingBo KLS ELECTRONIC CO.,L TD.

1 RoHS Compliance



Recommended PCB Hole Layout



Material:
 Standard: PA6T
 Contact: Brass
 Contact plating: Au or Sn over 50u" Ni
 Nickel Insulator: Polyester, UL 94 V-0

Electrical Characteristics:
 Rated Current: 3.0AMP
 Contact Resistance: 20mΩ Max
 Withstand Voltage: 1000V AC/DC
 Insulator Resistance: 1000MΩ Min

Mechanical
 Operating Temperature: -40°C ~ +105°C
 Max. Processing Temp: 230°C for 30-60 seconds (260°C for 10 seconds)

Order Information:

L-KLS1-208-8.0-2-XX-T-L1xL2-B-R

L: RoHS
 Pin Header Series
 208: 2.54mm
 Plastics Height: 8.0mm
 Per Row: Double layer
 Pin: No. of Pins (02~80)
 SMT Pin:
 T=Without Post, T3=With Post
 Size: L1xL2
 Material: A=PBT B=PA6T C=LCP
 Packing:
 A=Tray T=Tube M=Reel+Mylar
 P=Tube+Cap R=Reel+Cap

Dimension antitheses list (mm)			
ITEM	L1	L2	Plastic Height
Standard	9.70	8.00	8.00
Nonstandard	---	---	---

ANGLE TOLERANCE	PROJECTION	Description:
±3°		2.54x8.0mm Female Header Double layer, SMT Pin, 2xN Pin
GENERAL TOLERANCE	UNITS	mm
x.x ±0.30	SHEET SIZE	A4
x.xx ±0.20	Draw:	Daniel 2018-07-10
x.xxx ±0.10	Check:	Daniel 2018-07-10
		KLS P/N: L-KLS1-208-8.0-2-XX-T-L1xL2-B-R



NingBo KLS ELECTRONIC CO.,L TD.