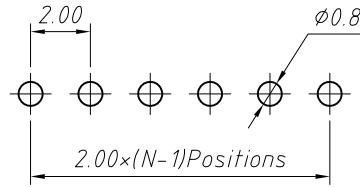
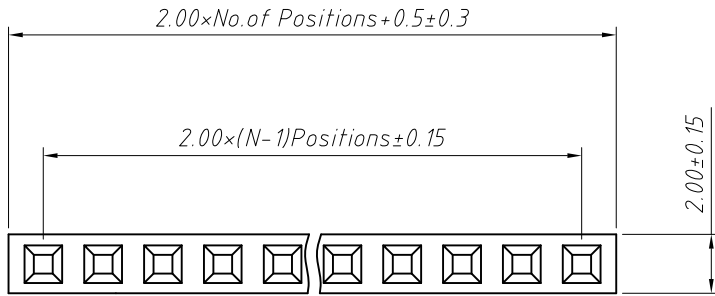


1
RoHS Compliance

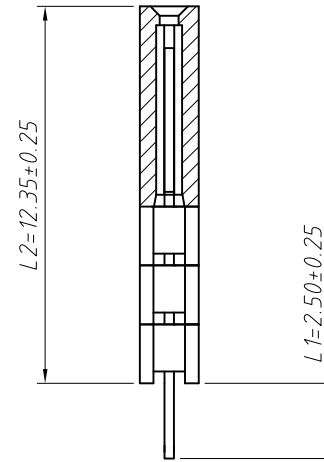
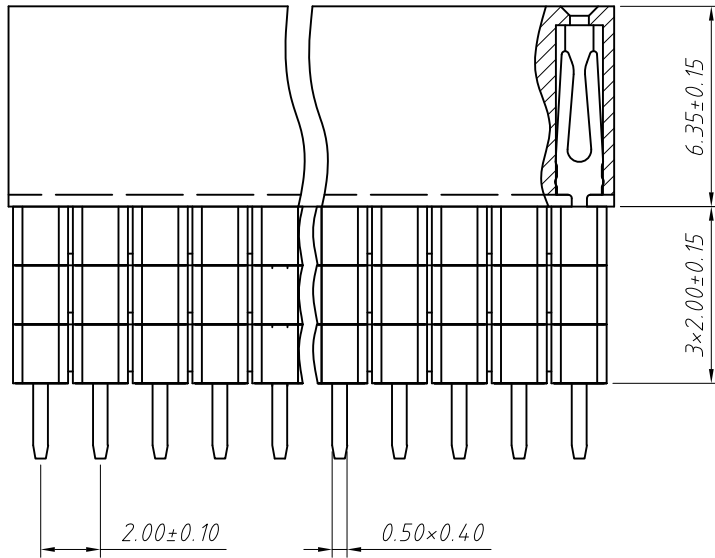


Recommended P.C.B Layout (Top Side)
(PCB BOARD TOLERANCE ± 0.05)

Material:
Standard: PBT/PA6T
Contact: Phosphor Bronze
Plating: Au or Sn Over 50u" Ni
Insulator: Polyester, UL 94 V-0

Electrical Characteristics:
Rated Current: 1.5AMP
Contact Resistance: 20mΩ Max
Withstand Voltage: 500V AC/DC
Insulator Resistance: 1000MΩ Min

Mechanical
Operating Temperature: -55°C ~ +125°C



Order Information:
L-KLS1-208BX-6.35-1-XX-S-L1xL2-B

L: RoHS
Female Header
Series 208BX: 2.00mm
Plastics Height: 6.35mm
Per Row: Single layer
Pin: No. of Pins (1x40)
Type: Straight Pin
Size: L1xL2
Material: A=PBT B=PA6T C=LCP

Dimension antitheses list (mm)			
ITEM	L1	L2	Plastic Height
Standard	2.50	12.35	6.35
Standard	2.50	10.35	6.35
Standard	2.50	8.35	6.35

ANGLE TOLERANCE	PROJECTION	Description:
±3°		2.0x6.35+H Female Header Single layer, Straight Pin, 1xN Pin
GENERAL TOLERANCE	UNITS	mm
x.x ±0.30	SHEET SIZE	A4
x.xx ±0.20	Draw:	Daniel 2018-07-10
x.xxx ±0.10	Check:	Daniel 2018-07-10



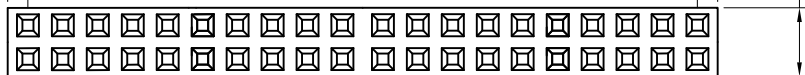
NingBo KLS ELECTRONIC CO.,L TD.

1
RoHS Compliance

2.00×No. of Positions+0.50±0.3

2.00×(N-1)Positions±0.15

4.0±0.15



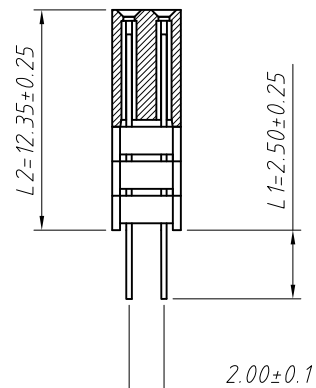
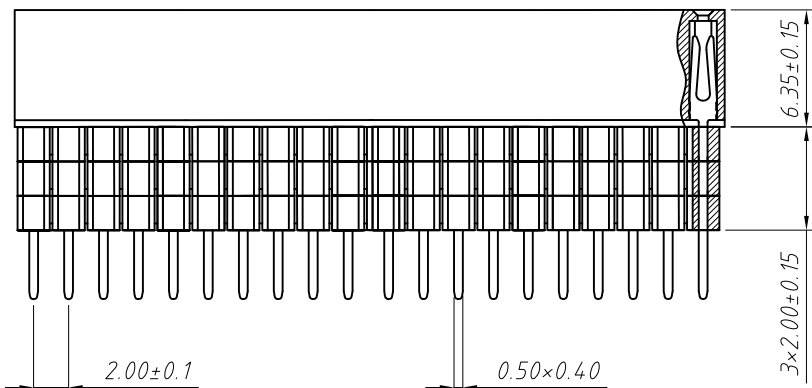
Dimension antitheses list (mm)			
ITEM	L1	L2	Plastic Height
Standard	2.50	12.35	6.35
Standard	2.50	10.35	6.35
Standard	2.50	8.35	6.35

Material:
Standard:PBT/PA6T
Contact:Phosphor Bronze
Plating: Au or Sn Over Ni
Insulator:Polyester,UL94 V-0

Electrical Characteristics:
Rated Current: 1.5AMP
Contact Resistance: 20mΩ Max
Withstand Voltage: 500V AC/DC
Insulator Resistance: 1000MΩ Min

Mechanical
Operating Temperature: -40°C ~ +105°C

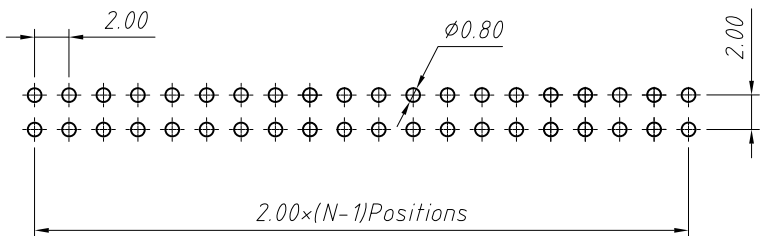
D



Order Information:
L-KLS1-208BX-6.35-2-XX-S-L1×L2-B
L: RoHS
Female Header
Series 208BX:2.00mm
Plastics Height:6.35mm
Per Row:Double layer
Pin: No. of Pins (02~80)
Type: Straight Pin
Size:L1×L2
Material:A=PBT B=PA6T C=LCP

E

F



Recommended P.C.B Layout (Top Side)
(PCB BOARD TOLERANCE±0.05)

ANGLE TOLERANCE	PROJECTION	Description:	
±3°			2.0x6.35+H Female Header Double layer, Straight Pin, 2xN Pin
GENERAL TOLERANCE	UNITS	mm	KLS P/N:
x.x ±0.30	SHEET SIZE	A4	L-KLS1-208BX-6.35-2-XX-S-L1×L2-B
x.xx ±0.20	Draw:	Daniel	2018-07-10
x.xxx ±0.10	Check:	Daniel	2018-07-10



NingBo KLS ELECTRONIC CO.,L TD.

H