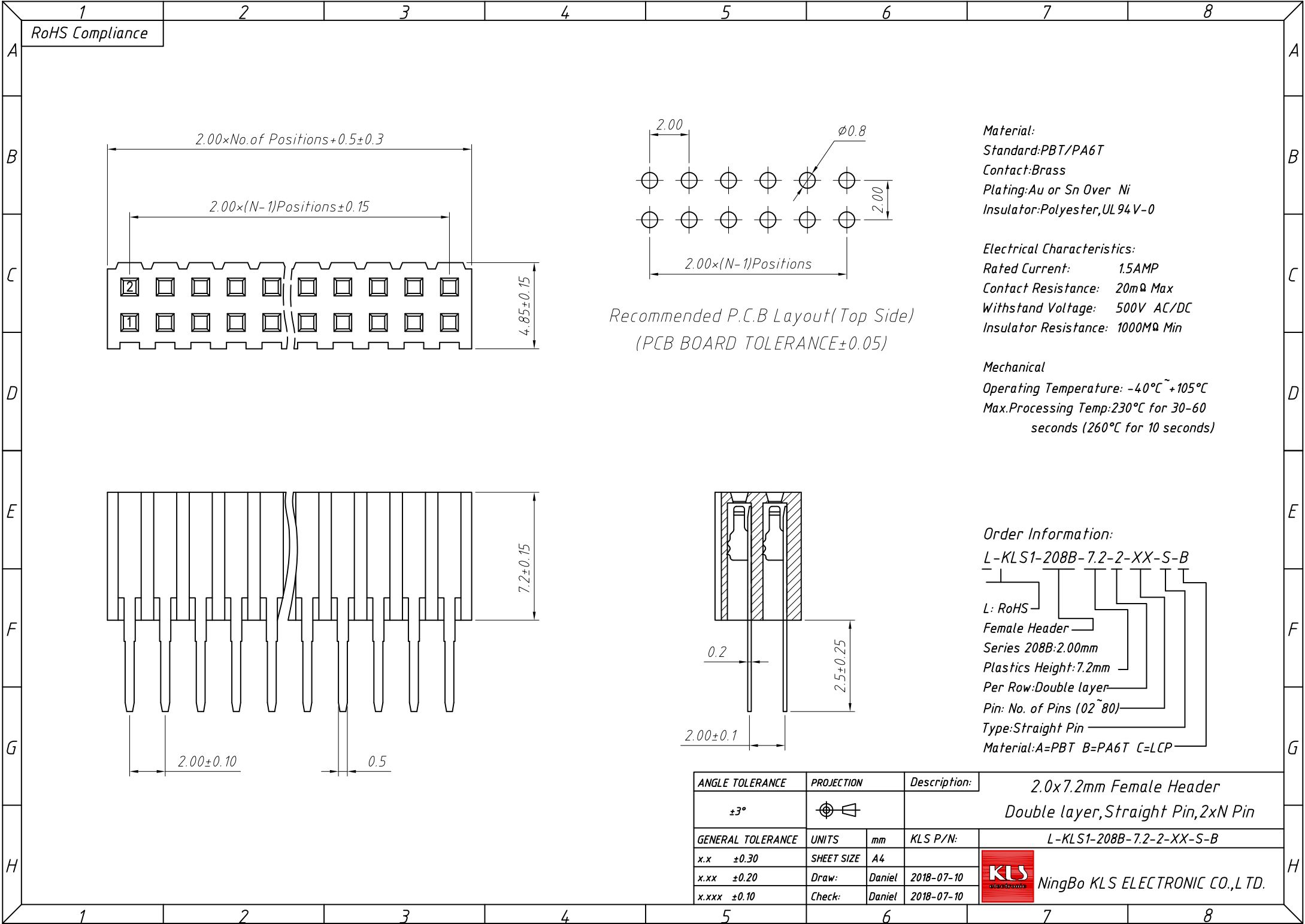


1  
RoHS Compliance



**Material:**  
 Standard: PBT/PA6T  
 Contact: Brass  
 Plating: Au or Sn Over Ni  
 Insulator: Polyester, UL94V-0

**Electrical Characteristics:**  
 Rated Current: 15AMP  
 Contact Resistance: 20mΩ Max  
 Withstand Voltage: 500V AC/DC  
 Insulator Resistance: 1000MΩ Min

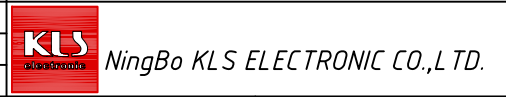
**Mechanical**  
 Operating Temperature:  $-40^{\circ}\text{C} \sim +105^{\circ}\text{C}$   
 Max. Processing Temp:  $230^{\circ}\text{C}$  for 30-60 seconds ( $260^{\circ}\text{C}$  for 10 seconds)

Recommended P.C.B Layout (Top Side)  
 (PCB BOARD TOLERANCE  $\pm 0.05$ )

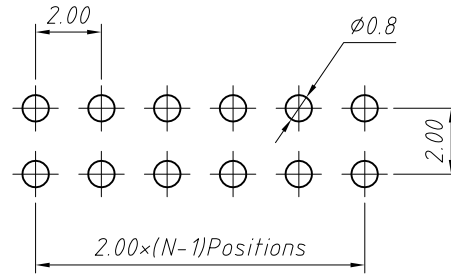
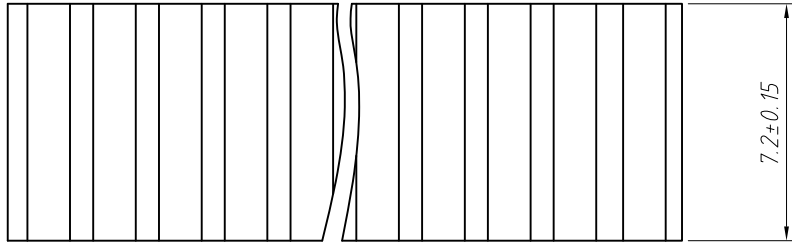
**Order Information:**  
 L-KLS1-208B-7.2-2-XX-S-B

- L: RoHS
- Female Header
- Series 208B: 2.00mm
- Plastics Height: 7.2mm
- Per Row: Double layer
- Pin: No. of Pins (02~80)
- Type: Straight Pin
- Material: A=PBT B=PA6T C=LCP

ANGLE TOLERANCE	PROJECTION	Description:	2.0x7.2mm Female Header Double layer, Straight Pin, 2xN Pin
$\pm 3^{\circ}$			
GENERAL TOLERANCE	UNITS	mm	KLS P/N:
x.x $\pm 0.30$	SHEET SIZE	A4	L-KLS1-208B-7.2-2-XX-S-B
x.xx $\pm 0.20$	Draw:	Daniel	2018-07-10
x.xxx $\pm 0.10$	Check:	Daniel	2018-07-10



1 RoHS Compliance

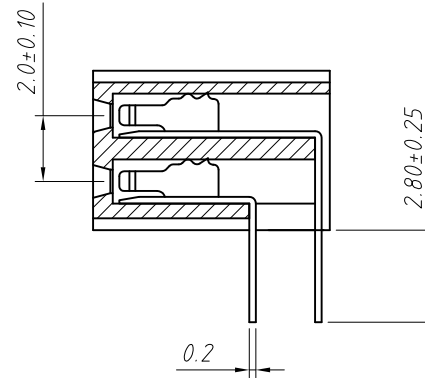
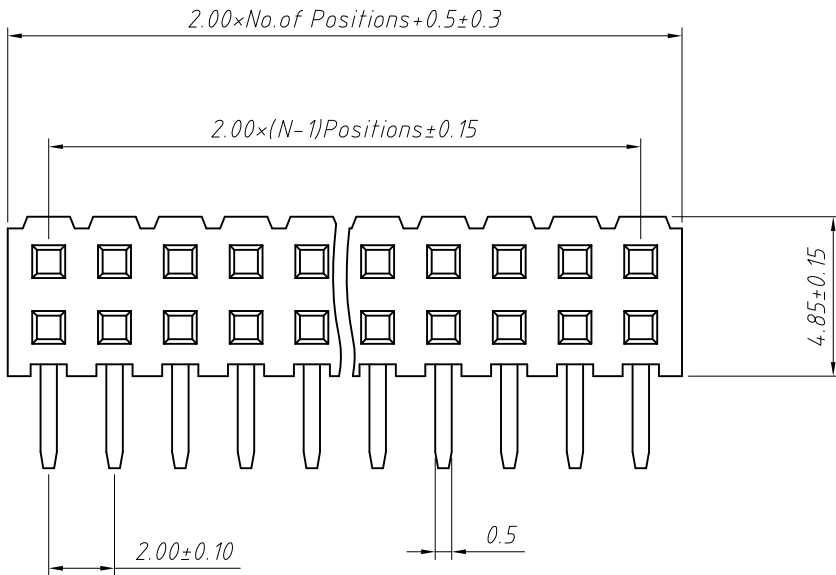


Recommended P.C.B Layout (Top Side)  
(PCB BOARD TOLERANCE ±0.05)

**Material:**  
Standard: PBT/PA6T  
Contact: Brass  
Plating: Au or Sn Over Ni  
Insulator: Polyester, UL94V-0

**Electrical Characteristics:**  
Rated Current: 1.5AMP  
Contact Resistance: 20mΩ Max  
Withstand Voltage: 500V AC/DC  
Insulator Resistance: 1000MΩ Min

**Mechanical**  
Operating Temperature: -40°C ~ +105°C  
Max. Processing Temp: 230°C for 30-60 seconds (260°C for 10 seconds)



**Order Information:**  
L-KLS1-208B-7.2-2-XX-R-B  
L: RoHS  
Female Header  
Series 208B: 2.00mm  
Plastics Height: 7.2mm  
Per Row: Double layer  
Pin: No. of Pins (02~80)  
Type: Right Angle Pin  
Material: A=PBT B=PA6T C=LCP

ANGLE TOLERANCE	PROJECTION	Description:
±3°		2.0x7.2mm Female Header Double layer, Right Angle Pin, 2xN Pin
GENERAL TOLERANCE	UNITS	mm
x.x ±0.30	SHEET SIZE	A4
x.xx ±0.20	Draw:	Daniel 2018-07-10
x.xxx ±0.10	Check:	Daniel 2018-07-10
		KLS P/N: L-KLS1-208B-7.2-2-XX-R-B



NingBo KLS ELECTRONIC CO.,LTD.