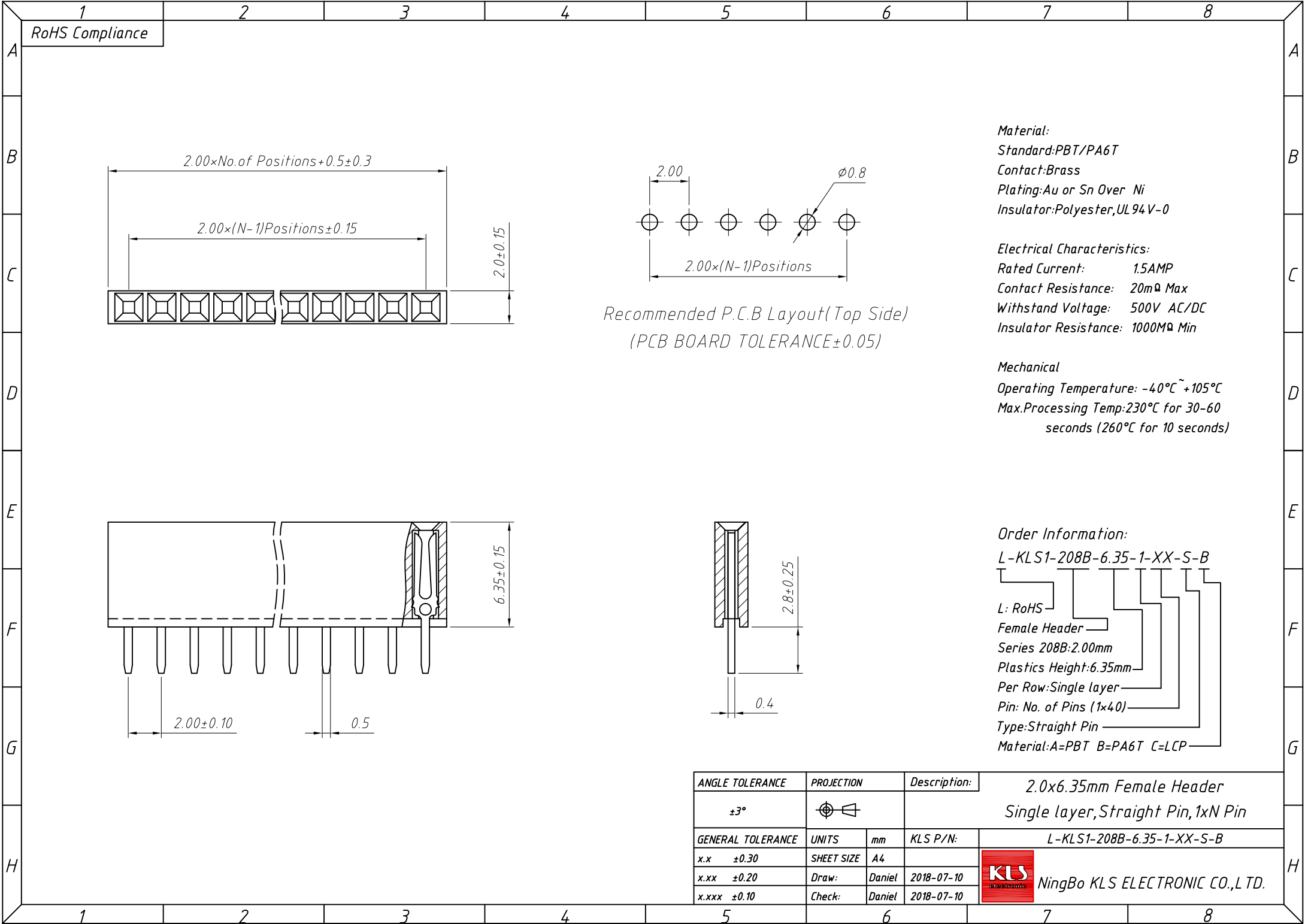


1  
RoHS Compliance



**Material:**  
 Standard:PBT/PA6T  
 Contact:Brass  
 Plating: Au or Sn Over Ni  
 Insulator: Polyester, UL 94 V-0

**Electrical Characteristics:**  
 Rated Current: 1.5AMP  
 Contact Resistance: 20mΩ Max  
 Withstand Voltage: 500V AC/DC  
 Insulator Resistance: 1000MΩ Min

**Mechanical**  
 Operating Temperature: -40°C ~ +105°C  
 Max. Processing Temp: 230°C for 30-60 seconds (260°C for 10 seconds)

Recommended P.C.B Layout (Top Side)  
 (PCB BOARD TOLERANCE ±0.05)

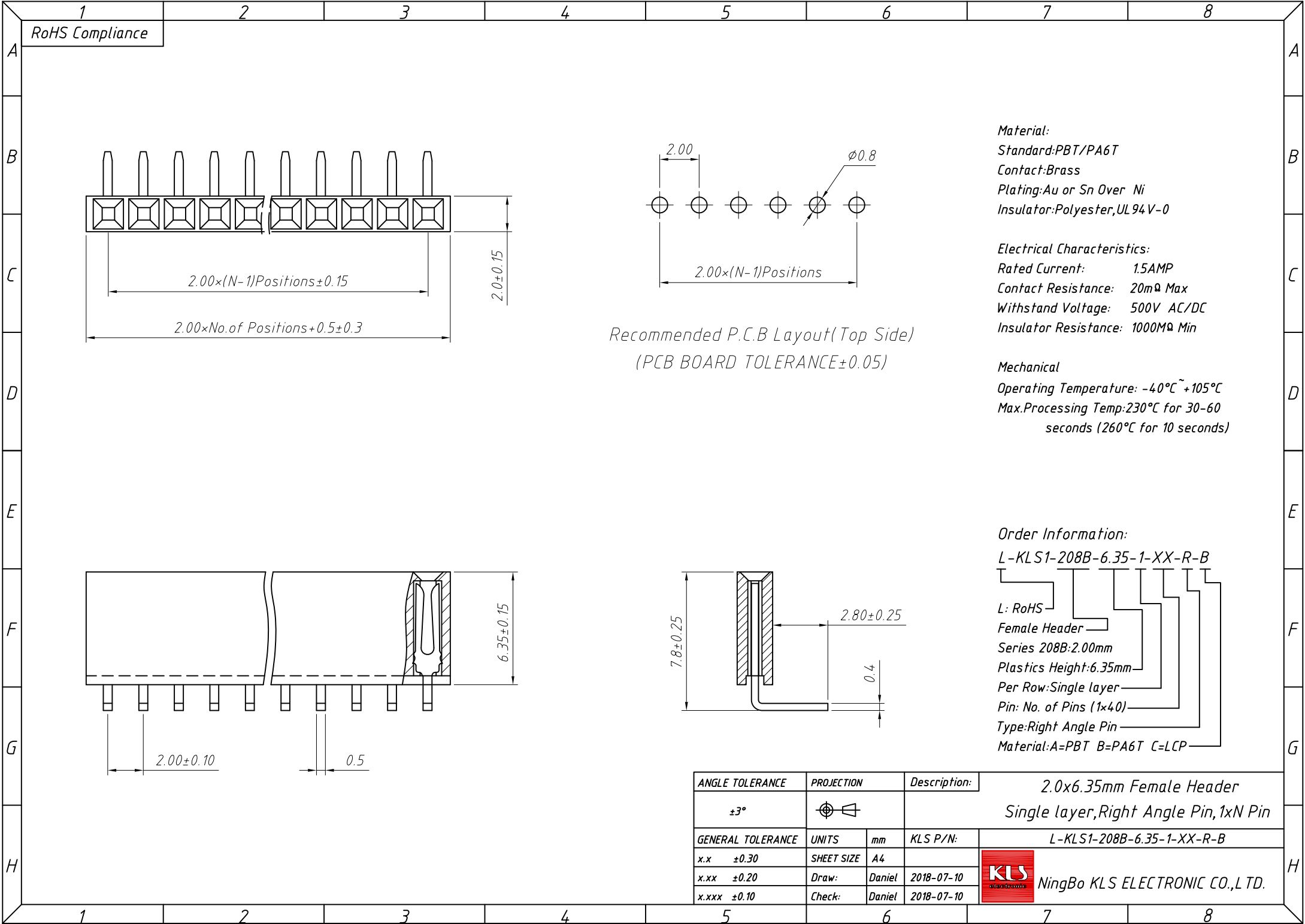
**Order Information:**  
 L-KLS1-208B-6.35-1-XX-S-B

L: RoHS  
 Female Header  
 Series 208B: 2.00mm  
 Plastics Height: 6.35mm  
 Per Row: Single layer  
 Pin: No. of Pins (1x40)  
 Type: Straight Pin  
 Material: A=PBT B=PA6T C=LCP

ANGLE TOLERANCE	PROJECTION	Description:	2.0x6.35mm Female Header Single layer, Straight Pin, 1xN Pin	
±3°				
GENERAL TOLERANCE	UNITS	mm	KLS P/N:	L-KLS1-208B-6.35-1-XX-S-B
x.x ±0.30	SHEET SIZE	A4		
x.xx ±0.20	Draw:	Daniel	2018-07-10	
x.xxx ±0.10	Check:	Daniel	2018-07-10	

**NingBo KLS ELECTRONIC CO.,L TD.**

1  
RoHS Compliance



**Material:**  
 Standard:PBT/PA6T  
 Contact:Brass  
 Plating: Au or Sn Over Ni  
 Insulator: Polyester, UL94V-0

**Electrical Characteristics:**  
 Rated Current: 1.5AMP  
 Contact Resistance: 20mΩ Max  
 Withstand Voltage: 500V AC/DC  
 Insulator Resistance: 1000MΩ Min

**Mechanical**  
 Operating Temperature: -40°C ~ +105°C  
 Max.Processing Temp: 230°C for 30-60 seconds (260°C for 10 seconds)

Recommended P.C.B Layout (Top Side)  
 (PCB BOARD TOLERANCE ±0.05)

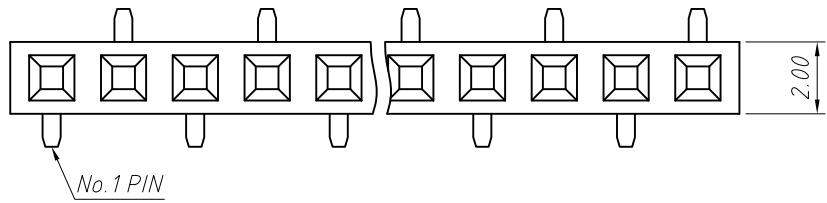
**Order Information:**  
 L-KLS1-208B-6.35-1-XX-R-B

L: RoHS  
 Female Header  
 Series 208B: 2.00mm  
 Plastics Height: 6.35mm  
 Per Row: Single layer  
 Pin: No. of Pins (1x40)  
 Type: Right Angle Pin  
 Material: A=PBT B=PA6T C=LCP

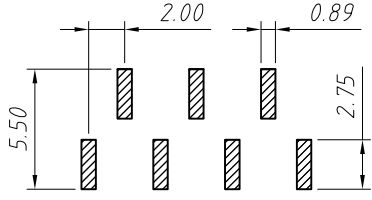
ANGLE TOLERANCE	PROJECTION	Description:	2.0x6.35mm Female Header	
±3°			Single layer, Right Angle Pin, 1xN Pin	
GENERAL TOLERANCE	UNITS	mm	KLS P/N:	L-KLS1-208B-6.35-1-XX-R-B
x.x ±0.30	SHEET SIZE	A4		
x.xx ±0.20	Draw:	Daniel	2018-07-10	
x.xxx ±0.10	Check:	Daniel	2018-07-10	

NingBo KLS ELECTRONIC CO.,L TD.

1  
RoHS Compliance



T2 Type

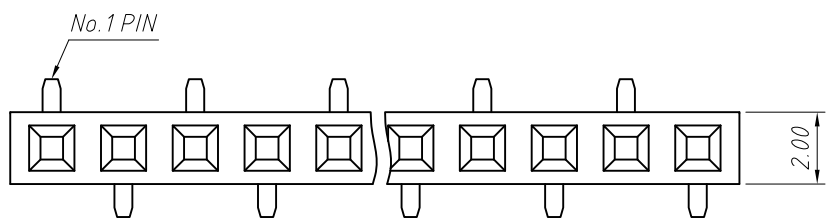


Recommended PCB Hole Layout

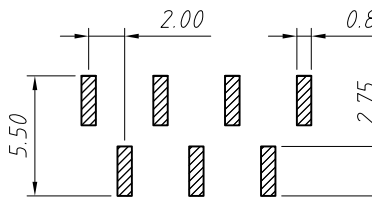
**Material:**  
Standard:PA6T  
Contact:Brass  
Contact plating: Au or Sn over Ni  
Nickel Insulator: Polyester, UL94V-0

**Electrical Characteristics:**  
Rated Current: 1.5AMP  
Contact Resistance: 20mΩ Max  
Withstand Voltage: 500V AC/DC  
Insulator Resistance: 1000MΩ Min

**Mechanical**  
Operating Temperature: -40°C ~ +105°C  
Max.Processing Temp: 230°C for 30-60 seconds (260°C for 10 seconds)

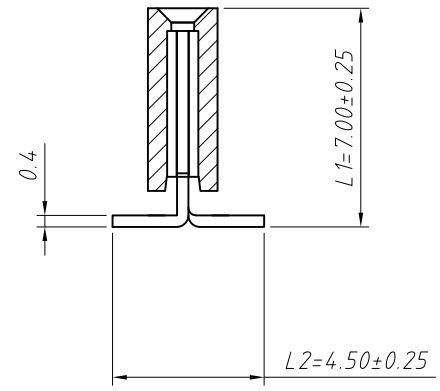
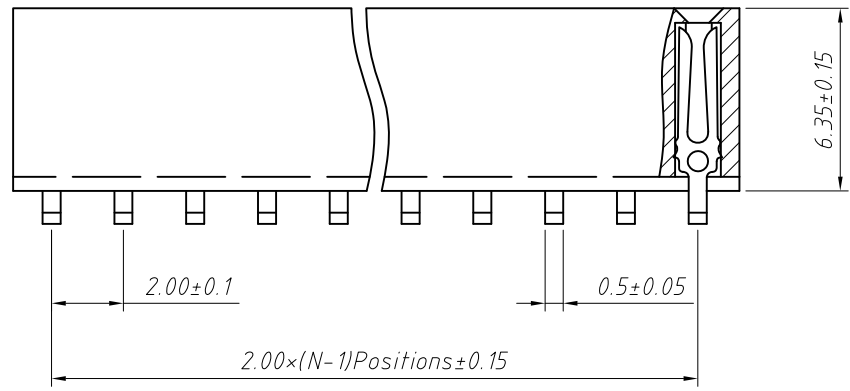
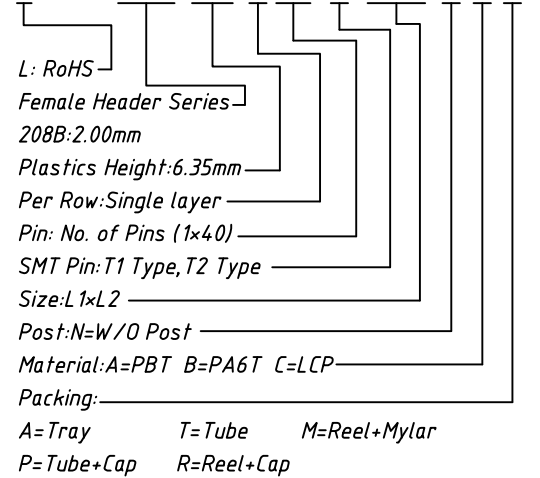


T1 Type



**Order Information:**

L-KLS1-208B-6.35-1-XX-T1-L1xL2-N-B-R

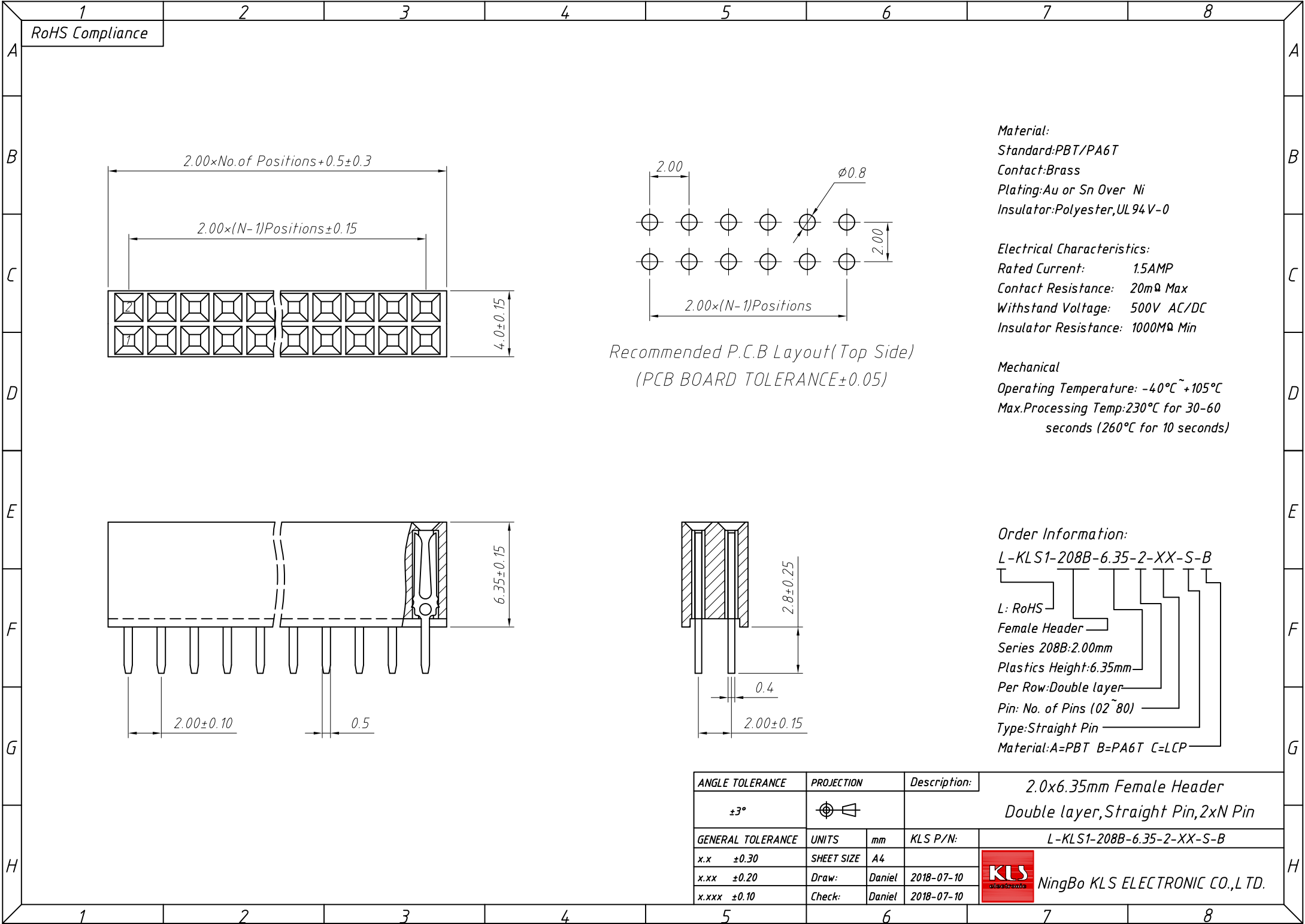


Dimension antitheses list (mm)			
ITEM	L1	L2	Plastic Height
Standard	7.00	4.50	6.35
Nonstandard	---	---	---

ANGLE TOLERANCE	PROJECTION	Description:	
±3°		2.00mm Female Header Single layer, SMT Pin, 1xN Pin	
GENERAL TOLERANCE	UNITS	mm	KLS P/N:
x.x ±0.30	SHEET SIZE	A4	L-KLS1-208B-6.35-1-XX-T1-L1xL2-N-B-R
x.xx ±0.20	Draw:	Daniel	2018-07-10
x.xxx ±0.10	Check:	Daniel	2018-07-10



1  
RoHS Compliance



**Material:**  
 Standard:PBT/PA6T  
 Contact:Brass  
 Plating: Au or Sn Over Ni  
 Insulator: Polyester, UL94V-0

**Electrical Characteristics:**  
 Rated Current: 1.5AMP  
 Contact Resistance: 20mΩ Max  
 Withstand Voltage: 500V AC/DC  
 Insulator Resistance: 1000MΩ Min

**Mechanical**  
 Operating Temperature: -40°C ~ +105°C  
 Max.Processing Temp: 230°C for 30-60 seconds (260°C for 10 seconds)

Recommended P.C.B Layout (Top Side)  
 (PCB BOARD TOLERANCE±0.05)

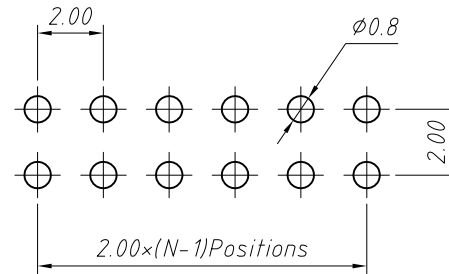
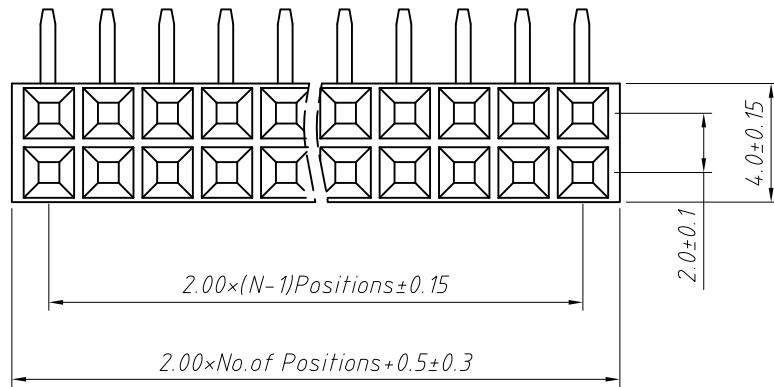
**Order Information:**  
 L-KLS1-208B-6.35-2-XX-S-B

L: RoHS  
 Female Header  
 Series 208B: 2.00mm  
 Plastics Height: 6.35mm  
 Per Row: Double layer  
 Pin: No. of Pins (02~80)  
 Type: Straight Pin  
 Material: A=PBT B=PA6T C=LCP

ANGLE TOLERANCE	PROJECTION	Description:	2.0x6.35mm Female Header Double layer, Straight Pin, 2xN Pin
±3°			
GENERAL TOLERANCE	UNITS	mm	KLS P/N:
x.x ±0.30	SHEET SIZE	A4	L-KLS1-208B-6.35-2-XX-S-B
x.xx ±0.20	Draw:	Daniel	2018-07-10
x.xxx ±0.10	Check:	Daniel	2018-07-10



RoHS Compliance

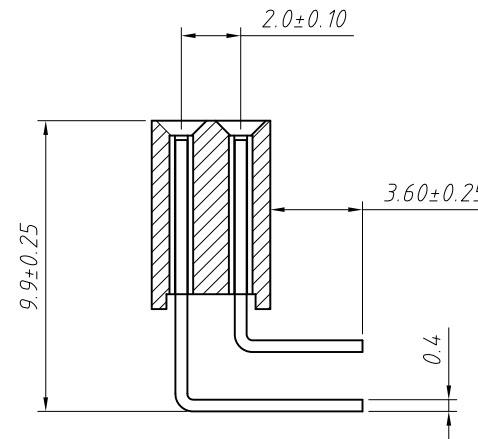
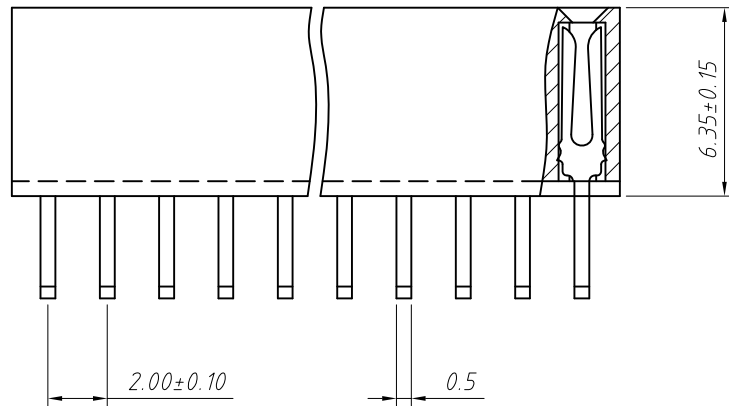


Recommended P.C.B Layout (Top Side)  
(PCB BOARD TOLERANCE ±0.05)

**Material:**  
 Standard: PBT/PA6T  
 Contact: Brass  
 Plating: Au or Sn Over Ni  
 Insulator: Polyester, UL94V-0

**Electrical Characteristics:**  
 Rated Current: 1.5AMP  
 Contact Resistance: 20mΩ Max  
 Withstand Voltage: 500V AC/DC  
 Insulator Resistance: 1000MΩ Min

**Mechanical**  
 Operating Temperature: -40°C ~ +105°C  
 Max. Processing Temp: 230°C for 30-60 seconds (260°C for 10 seconds)



**Order Information:**  
 L-KLS1-208B-6.35-2-XX-R-B

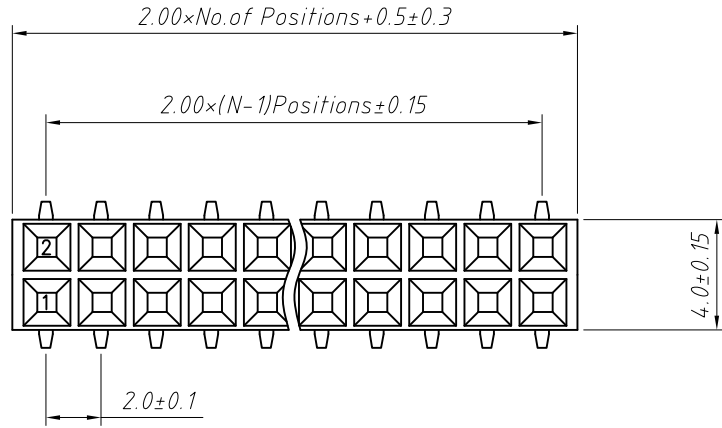
L: RoHS  
 Female Header  
 Series 208B: 2.00mm  
 Plastics Height: 6.35mm  
 Per Row: Double layer  
 Pin: No. of Pins (02~80)  
 Type: Right Angle Pin  
 Material: A=PBT B=PA6T C=LCP

ANGLE TOLERANCE	PROJECTION	Description:	2.0x6.35mm Female Header
±3°			Double layer, Right Angle Pin, 2xN Pin
GENERAL TOLERANCE	UNITS	mm	KLS P/N:
x.x ±0.30	SHEET SIZE	A4	L-KLS1-208B-6.35-2-XX-R-B
x.xx ±0.20	Draw:	Daniel	2018-07-10
x.xxx ±0.10	Check:	Daniel	2018-07-10

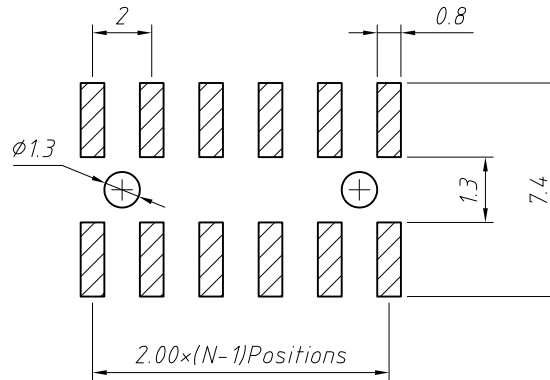


NingBo KLS ELECTRONIC CO., L TD.

1 RoHS Compliance



Recommended P.C.B Layout (Top Side)  
(PCB BOARD TOLERANCE±0.05)



Material:  
Standard:PA6T  
Contact:Brass  
Contact plating:Au or Sn over Ni  
NickelInsulator:Polyester,UL94V-0

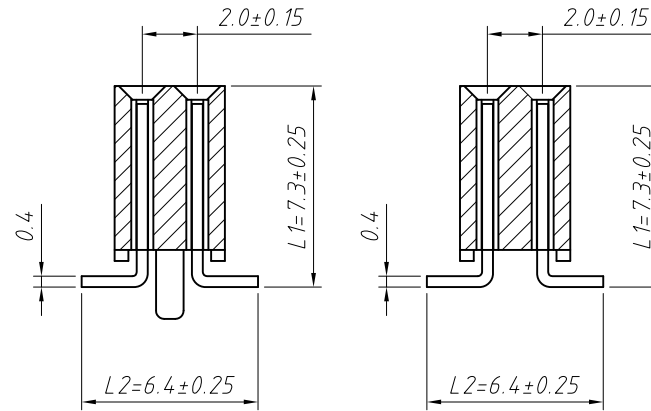
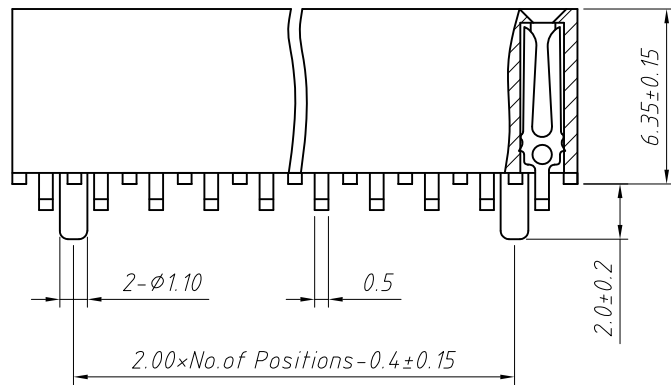
Electrical Characteristics:  
Rated Current: 1.5AMP  
Contact Resistance: 20mΩ Max  
Withstand Voltage: 500V AC/DC  
Insulator Resistance: 1000MΩ Min

Mechanical  
Operating Temperature: -40°C ~ +105°C  
Max.Processing Temp:230°C for 30-60 seconds (260°C for 10 seconds)

Order Information:

L-KLS1-208B-6.35-2-XX-T-L1xL2-B-R

L: RoHS  
Pin Header Series-  
208B:2.00mm  
Plastics Height:6.35mm  
Per Row:Double layer  
Pin: No. of Pins (02~80)  
SMT:T=Without Post,T3=With Post  
Size:L1xL2  
Material:A=PBT B=PA6T C=LCP  
Packing:  
A=Tray T=Tube M=Reel+Mylar  
P=Tube+Cap R=Reel+Cap



T3=With Post

T=Without Post

Dimension antitheses list (mm)

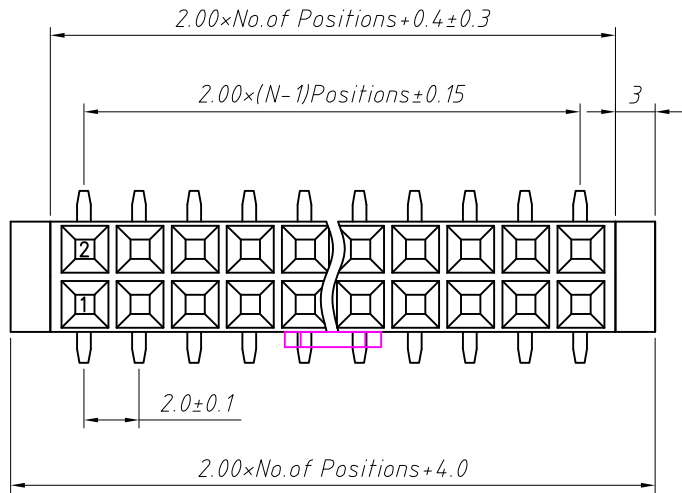
ITEM	L1	L2	Plastic Height
Standard	7.30	6.40	6.35
Nonstandard	---	---	---

ANGLE TOLERANCE	PROJECTION	Description:
±3°		2.00mm Female Header Double layer ,SMT Pin,2xN Pin
GENERAL TOLERANCE	UNITS	mm
x.x ±0.30	SHEET SIZE	A4
x.xx ±0.20	Draw:	Daniel 2018-07-10
x.xxx ±0.10	Check:	Daniel 2018-07-10
		KLS P/N: L-KLS1-208B-6.35-2-XX-T-L1xL2-B-R

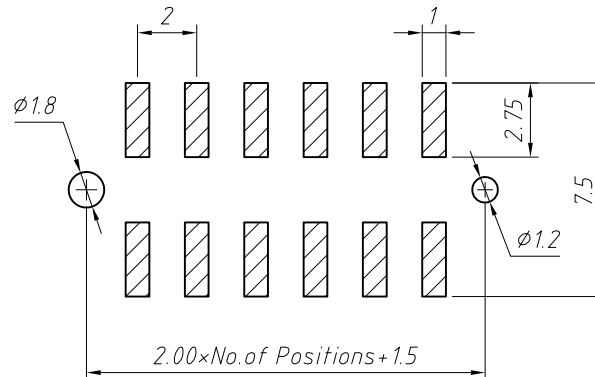


NingBo KLS ELECTRONIC CO.,L.TD.

1 RoHS Compliance



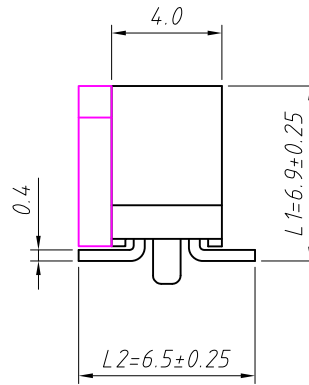
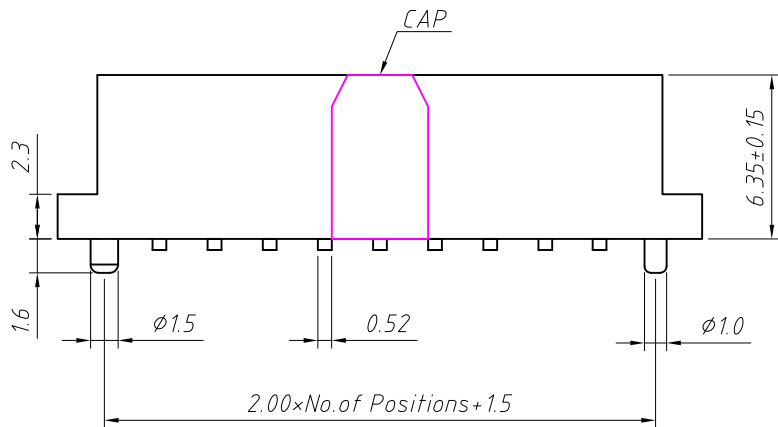
Recommended P.C.B Layout (Top Side)  
(PCB BOARD TOLERANCE±0.05)



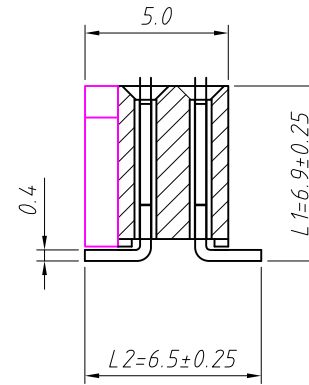
Material:  
Standard:PA6T  
Contact:Brass  
Contact plating:Au or Sn over Ni  
Nickel Insulator:Polyester,UL 94V-0

Electrical Characteristics:  
Rated Current: 1.5AMP  
Contact Resistance: 20mΩ Max  
Withstand Voltage: 500V AC/DC  
Insulator Resistance: 1000MΩ Min

Mechanical  
Operating Temperature: -40°C ~ +105°C  
Max.Processing Temp:230°C for 30-60 seconds (260°C for 10 seconds)



T3=With Post



T=Without Post

Order Information:

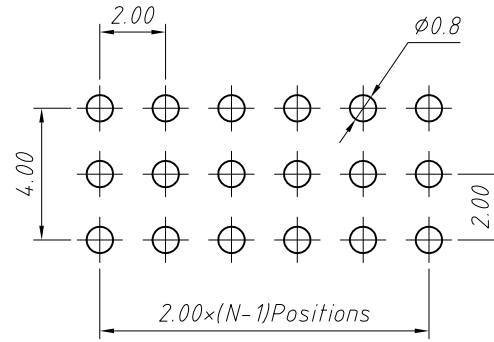
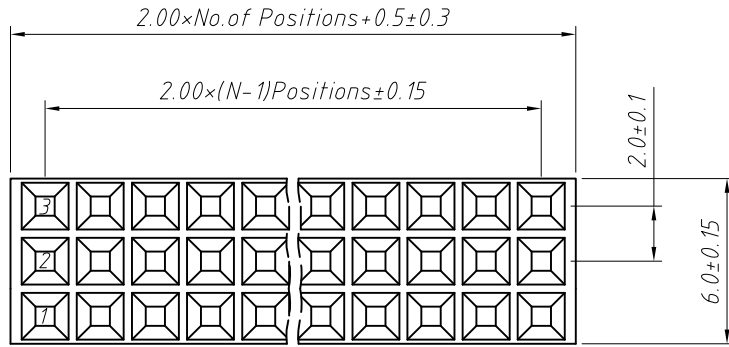
L-KLS1-208B-6.35-2-XX-T4-L1xL2-B-R

L: RoHS  
Pin Header Series-  
208B:2.00mm  
Plastics Height:6.35mm  
Per Row:Double layer  
Pin: No. of Pins (02~80)  
SMT Type:T4=With External Post  
Size:L1xL2  
Material:A=PBT B=PA6T C=LCP  
Packing:  
A=Tray T=Tube M=Reel+Mylar  
P=Tube+Cap R=Reel+Cap

Dimension antitheses list (mm)			
ITEM	L1	L2	Plastic Height
Standard	6.9	6.5	6.35
Nonstandard	---	---	---

ANGLE TOLERANCE	PROJECTION	Description:	2.00mm Female Header	
±3°		Double layer ,With External Post SMT Pin,2xN Pin		
GENERAL TOLERANCE	UNITS	mm	KLS P/N:	L-KLS1-208B-6.35-2-XX-T4-L1xL2-B-R
x.x ±0.30	SHEET SIZE	A4		
x.xx ±0.20	Draw:	Daniel	2018-07-10	NingBo KLS ELECTRONIC CO.,L TD.
x.xxx ±0.10	Check:	Daniel	2018-07-10	

1 RoHS Compliance

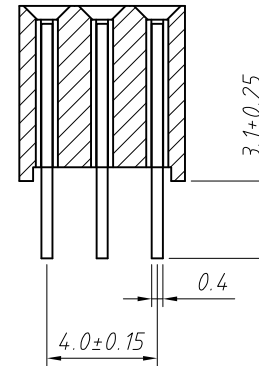
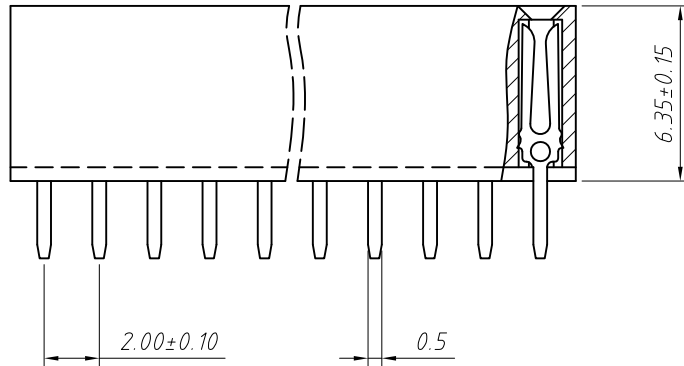


Recommended P.C.B Layout (Top Side)  
(PCB BOARD TOLERANCE ±0.05)

**Material:**  
Standard: PBT/PA6T  
Contact: Brass  
Plating: Au or Sn Over Ni  
Insulator: Polyester, UL94V-0

**Electrical Characteristics:**  
Rated Current: 1.5AMP  
Contact Resistance: 20mΩ Max  
Withstand Voltage: 500V AC/DC  
Insulator Resistance: 1000MΩ Min

**Mechanical**  
Operating Temperature: -40°C ~ +105°C  
Max. Processing Temp: 230°C for 30-60 seconds (260°C for 10 seconds)



**Order Information:**  
L-KLS1-208B-6.35-3-XX-S-B

L: RoHS  
Female Header  
Series 208B: 2.00mm  
Plastics Height: 6.35mm  
Per Row: Three layer  
Pin: No. of Pins (03 ~ 120)  
Type: Straight Pin  
Material: A=PBT B=PA6T C=LCP

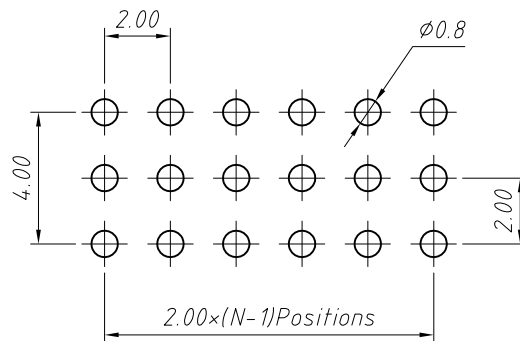
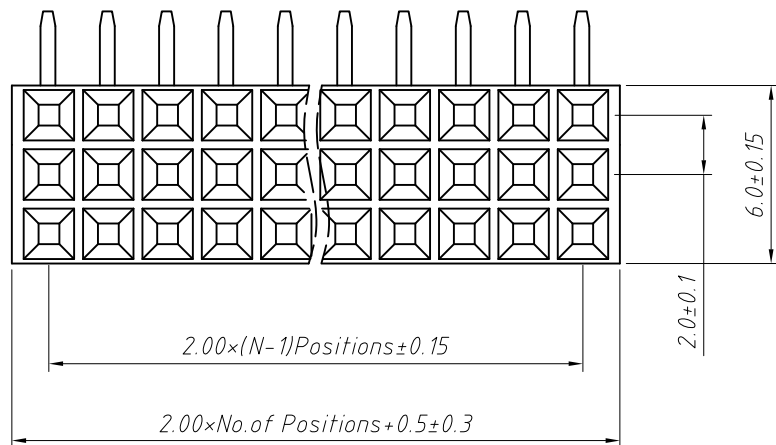
ANGLE TOLERANCE	PROJECTION	Description:	2.0x6.35mm Female Header Three layer, Straight Pin, 3xN Pin
±3°			
GENERAL TOLERANCE	UNITS	mm	KLS P/N: L-KLS1-208B-6.35-3-XX-S-B
x.x ±0.30	SHEET SIZE	A4	
x.xx ±0.20	Draw:	Daniel	2018-07-10
x.xxx ±0.10	Check:	Daniel	2018-07-10



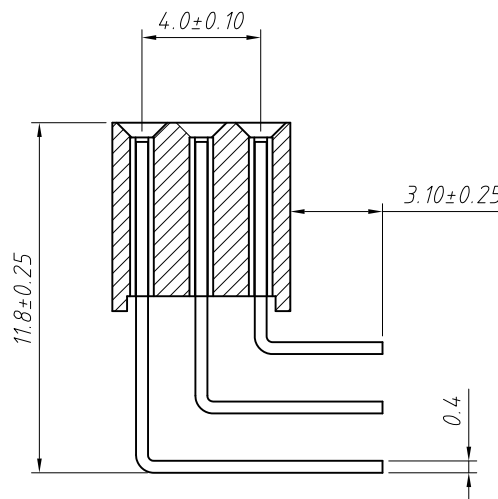
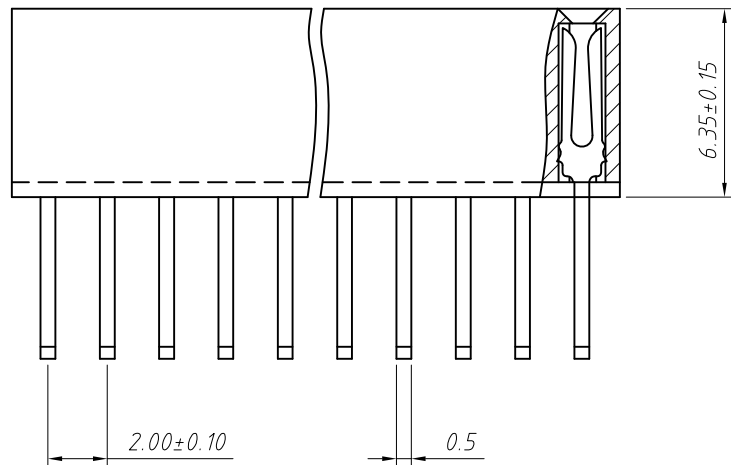
NingBo KLS ELECTRONIC CO.,LTD.



RoHS Compliance



Recommended P.C.B Layout (Top Side)  
(PCB BOARD TOLERANCE ±0.05)



**Material:**  
Standard: PBT/PA6T  
Contact: Brass  
Plating: Au or Sn Over Ni  
Insulator: Polyester, UL 94 V-0

**Electrical Characteristics:**  
Rated Current: 1.5AMP  
Contact Resistance: 20mΩ Max  
Withstand Voltage: 500V AC/DC  
Insulator Resistance: 1000MΩ Min

**Mechanical**  
Operating Temperature: -40°C ~ +105°C  
Max. Processing Temp: 230°C for 30-60 seconds (260°C for 10 seconds)

**Order Information:**  
L-KLS1-208B-6.35-3-XX-R-B

- L: RoHS
- Female Header
- Series 208B: 2.00mm
- Plastics Height: 6.35mm
- Per Row: Three layer
- Pin: No. of Pins (03~120)
- Type: Right Angle Pin
- Material: A=PBT B=PA6T C=LCP

ANGLE TOLERANCE	PROJECTION	Description:	2.0x6.35mm Female Header
±3°			Three layer ,Right Angle Pin ,3xN Pin
GENERAL TOLERANCE	UNITS	mm	KLS P/N:
x.x ±0.30	SHEET SIZE	A4	L-KLS1-208B-6.35-3-XX-R-B
x.xx ±0.20	Draw:	Daniel	2018-07-10
x.xxx ±0.10	Check:	Daniel	2018-07-10



NingBo KLS ELECTRONIC CO.,LTD.

1  
RoHS Compliance

2 3 4 5 6 7 8

A

B

C

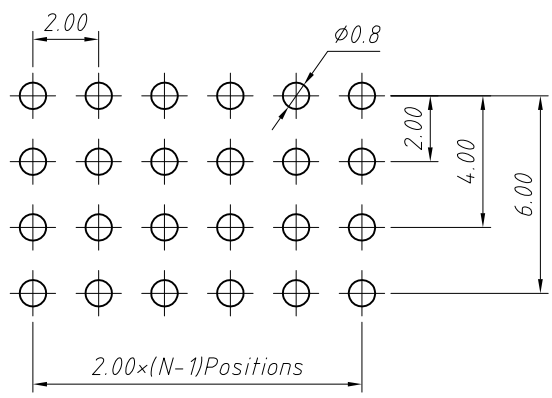
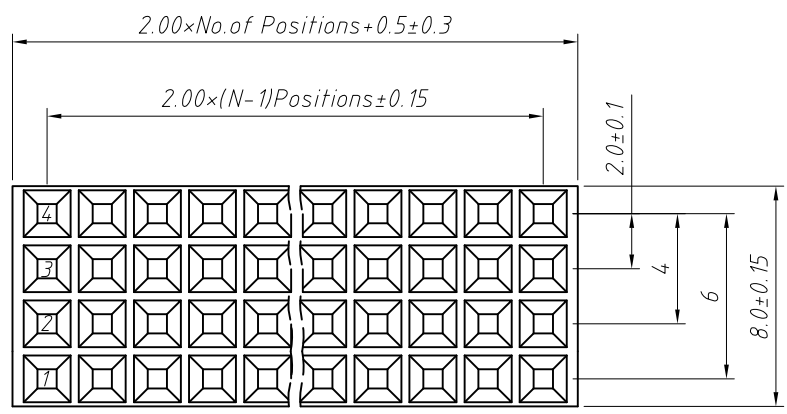
D

E

F

G

H

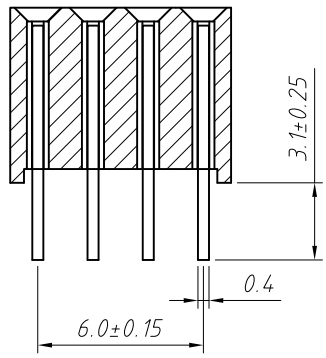
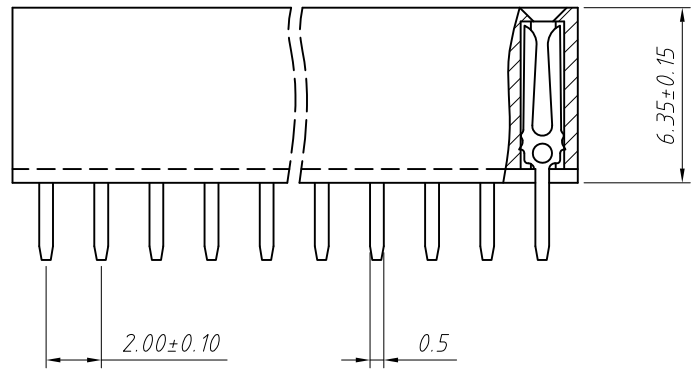


Recommended P.C.B Layout (Top Side)  
(PCB BOARD TOLERANCE ± 0.05)

Material:  
Standard: PBT/PA6T  
Contact: Brass  
Plating: Au or Sn Over Ni  
Insulator: Polyester, UL 94V-0

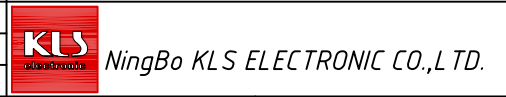
Electrical Characteristics:  
Rated Current: 1.5AMP  
Contact Resistance: 20mΩ Max  
Withstand Voltage: 500V AC/DC  
Insulator Resistance: 1000MΩ Min

Mechanical  
Operating Temperature: -40°C ~ +105°C  
Max. Processing Temp: 230°C for 30-60 seconds (260°C for 10 seconds)



Order Information:  
L-KLS1-208B-6.35-4-XX-S-B  
L: RoHS  
Female Header  
Series 208B: 2.00mm  
Plastics Height: 6.35mm  
Per Row: Four layer  
Pin: No. of Pins (04 ~ 160)  
Type: Straight Pin  
Material: A=PBT B=PA6T C=LCP

ANGLE TOLERANCE	PROJECTION	Description:	2.0x6.35mm Female Header Four layer, Straight Pin, 4xN Pin
±3°			
GENERAL TOLERANCE	UNITS	mm	KLS P/N:
x.x ±0.30	SHEET SIZE	A4	L-KLS1-208B-6.35-4-XX-S-B
x.xx ±0.20	Draw:	Daniel	2018-07-10
x.xxx ±0.10	Check:	Daniel	2018-07-10



1 2 3 4 5 6 7 8