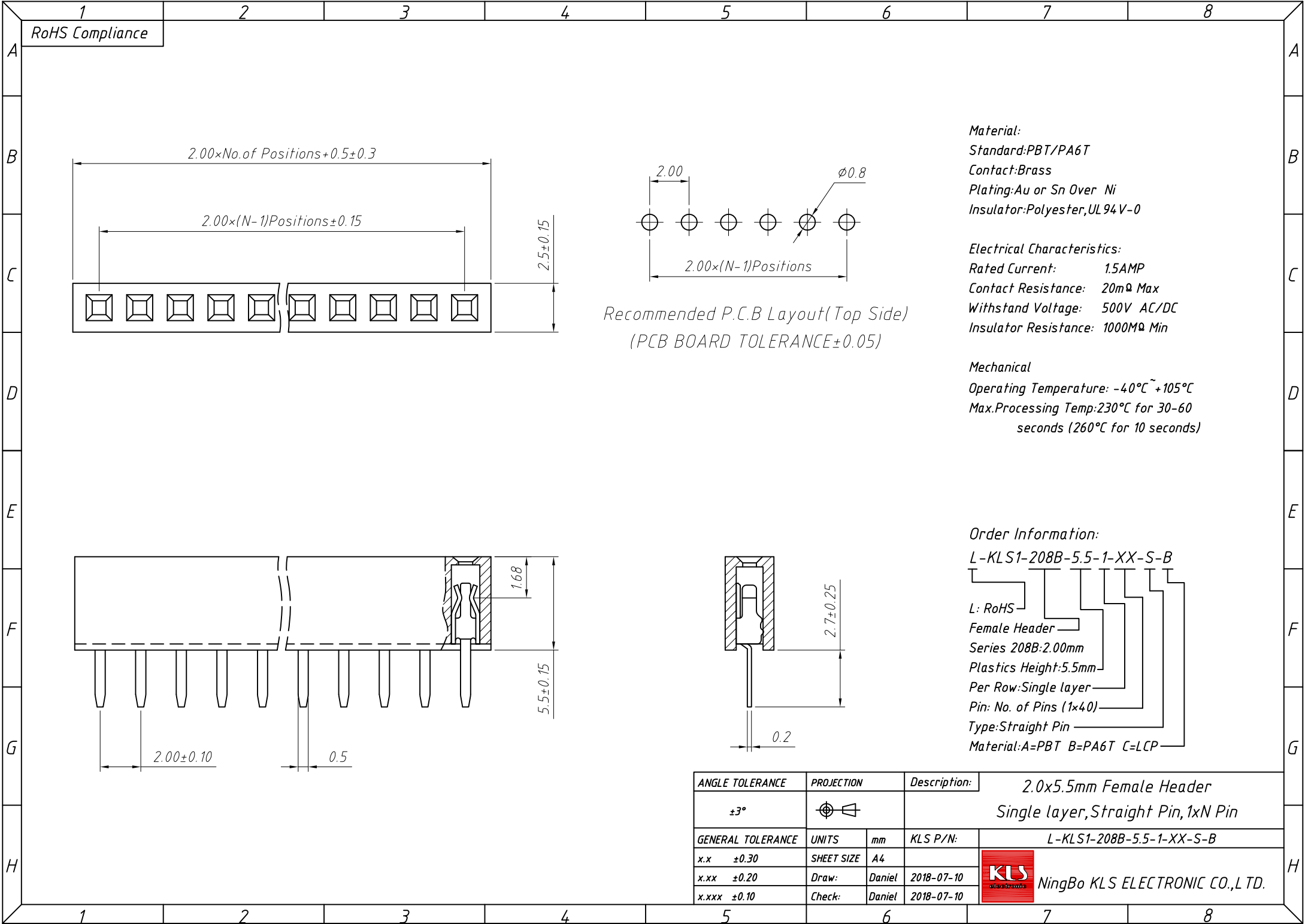


1  
RoHS Compliance

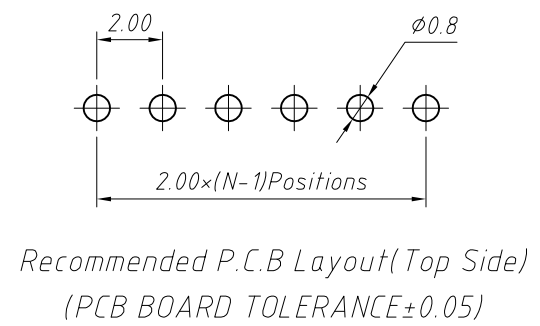


**Material:**  
 Standard: PBT/PA6T  
 Contact: Brass  
 Plating: Au or Sn Over Ni  
 Insulator: Polyester, UL94V-0

**Electrical Characteristics:**  
 Rated Current: 1.5AMP  
 Contact Resistance: 20mΩ Max  
 Withstand Voltage: 500V AC/DC  
 Insulator Resistance: 1000MΩ Min

**Mechanical**  
 Operating Temperature: -40°C ~ +105°C  
 Max. Processing Temp: 230°C for 30-60 seconds (260°C for 10 seconds)

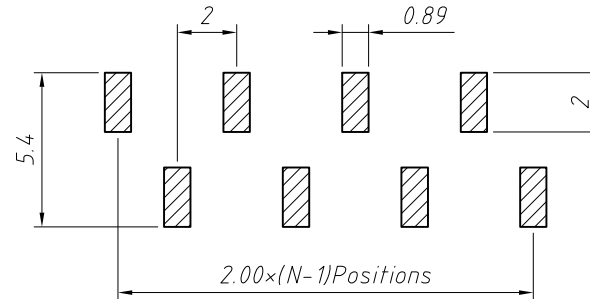
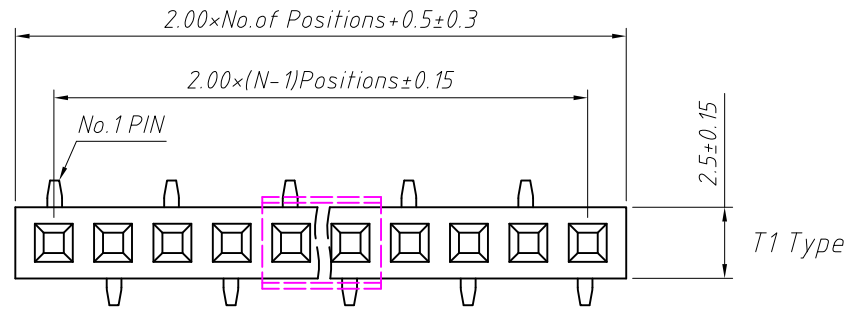
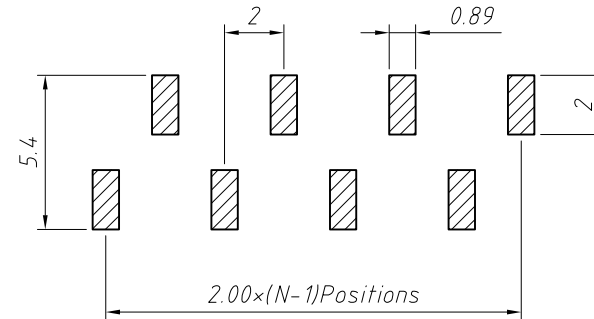
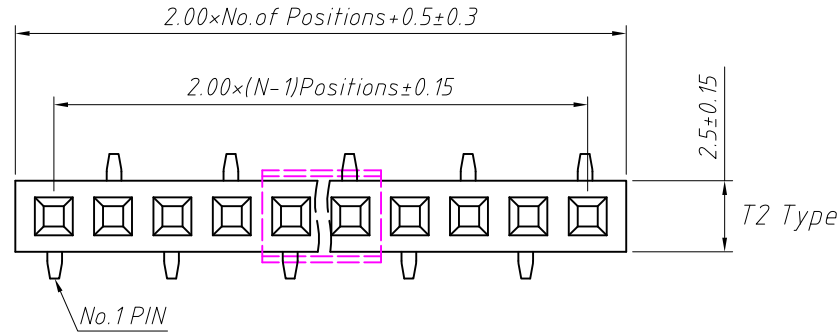
**Order Information:**  
 L-KLS1-208B-5.5-1-XX-S-B  
 L: RoHS  
 Female Header  
 Series 208B: 2.00mm  
 Plastics Height: 5.5mm  
 Per Row: Single layer  
 Pin: No. of Pins (1x40)  
 Type: Straight Pin  
 Material: A=PBT B=PA6T C=LCP



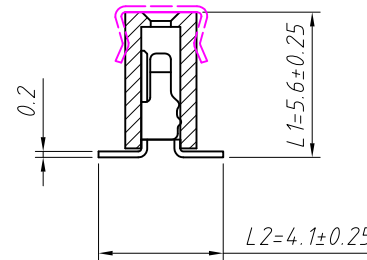
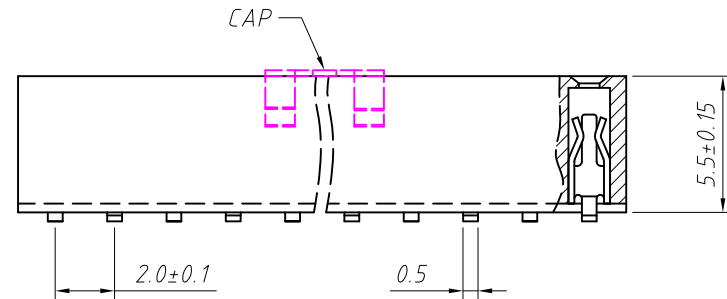
|                   |            |              |  |
|-------------------|------------|--------------|--|
| ANGLE TOLERANCE   | PROJECTION | Description: | 2.0x5.5mm Female Header<br>Single layer, Straight Pin, 1xN Pin |
| $\pm 3^\circ$     |            |              |  |
| GENERAL TOLERANCE | UNITS      | mm           | KLS P/N: L-KLS1-208B-5.5-1-XX-S-B                              |
| x.x $\pm 0.30$    | SHEET SIZE | A4           |  |
| x.xx $\pm 0.20$   | Draw:      | Daniel       | 2018-07-10   |
| x.xxx $\pm 0.10$  | Check:     | Daniel       | 2018-07-10   |



RoHS Compliance



Recommended P.C.B Layout (Top Side)  
(PCB BOARD TOLERANCE ± 0.05)



**Material:**  
Standard: PA6T  
Contact: Brass  
Contact plating: Au or Sn over Ni  
Nickel Insulator: Polyester, UL 94V-0

**Electrical Characteristics:**  
Rated Current: 1.5AMP  
Contact Resistance: 20mΩ Max  
Withstand Voltage: 500V AC/DC  
Insulator Resistance: 1000MΩ Min

**Mechanical**  
Operating Temperature: -40°C ~ +105°C  
Max. Processing Temp: 230°C for 30-60 seconds (260°C for 10 seconds)

**Order Information:**

L-KLS1-208B-5.5-1-XX-T1-L1xL2-N-B-R

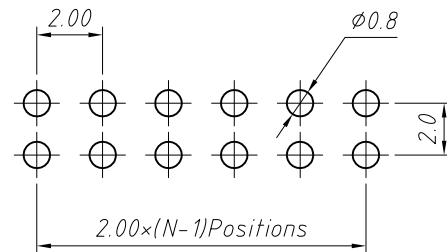
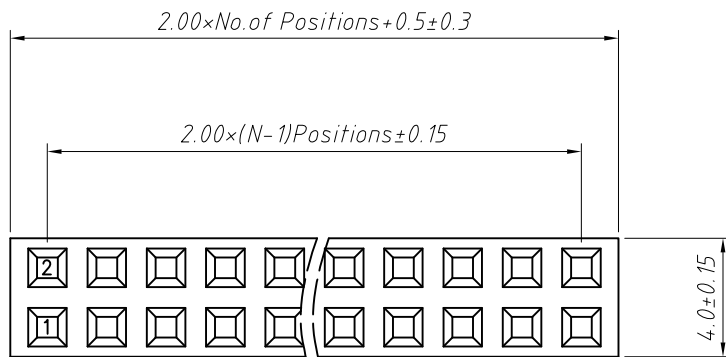
L: RoHS  
Pin Header Series -  
208B: 2.00mm  
Plastics Height: 5.5mm  
Per Row: Single layer  
Pin: No. of Pins (1x40)  
SMT Pin: T1 Type, T2 Type  
Size: L1xL2  
Post: W=With Post N=W/O Post  
Material: A=PBT B=PA6T C=LCP  
Packing:  
A=Tray T=Tube M=Reel+Mylar  
P=Tube+Cap R=Reel+Cap

| Dimension antitheses list (mm) |      |      |                |
|--------------------------------|------|------|----------------|
| ITEM                           | L1   | L2   | Plastic Height |
| Standard                       | 5.60 | 4.10 | 5.50           |
| Nonstandard                    | ---  | ---  | ---            |

| ANGLE TOLERANCE   | PROJECTION | Description: | 2.00mm Female Header<br>Single layer, SMT Pin, 1xN Pin |                                     |
|-------------------|------------|--------------|--|-------------------------------------|
| ±3°               |            |              |  |                                     |
| GENERAL TOLERANCE | UNITS      | mm           | KLS P/N:   | L-KLS1-208B-5.5-1-XX-T1-L1xL2-N-B-R |
| x.x ±0.30         | SHEET SIZE | A4           |  |                                     |
| x.xx ±0.20        | Draw:      | Daniel       | 2018-07-10   |                                     |
| x.xxx ±0.10       | Check:     | Daniel       | 2018-07-10   |                                     |

**KLS** NingBo KLS ELECTRONIC CO., L TD.

1  
RoHS Compliance

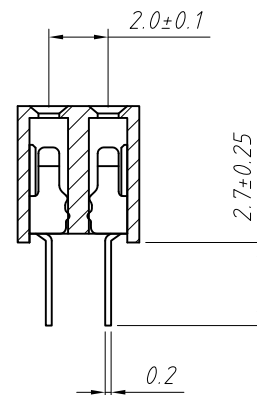
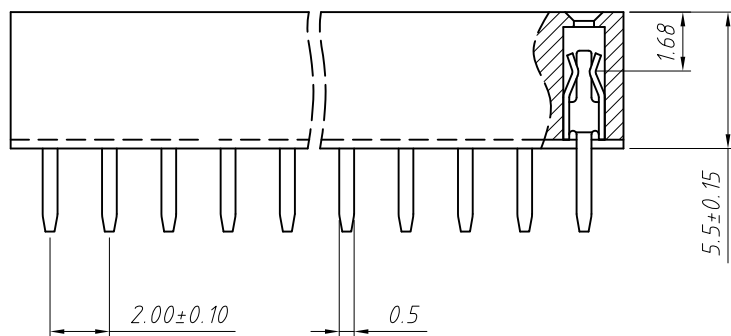


Recommended P.C.B Layout (Top Side)  
(PCB BOARD TOLERANCE±0.05)

Material:  
Standard:PBT/PA6T  
Contact:Brass  
Plating: Au or Sn Over Ni  
Insulator: Polyester, UL94V-0

Electrical Characteristics:  
Rated Current: 1.5AMP  
Contact Resistance: 20mΩ Max  
Withstand Voltage: 500V AC/DC  
Insulator Resistance: 1000MΩ Min

Mechanical  
Operating Temperature: -40°C ~ +105°C  
Max. Processing Temp: 230°C for 30-60 seconds (260°C for 10 seconds)



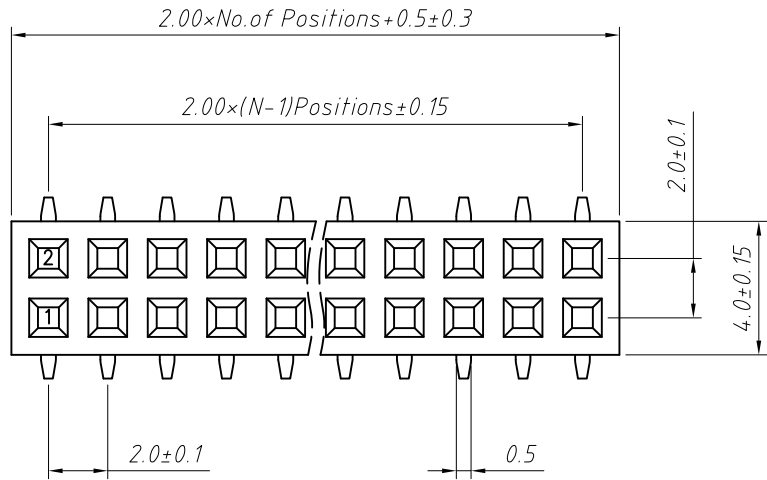
Order Information:  
L-KLS1-208B-5.5-2-XX-S-B

L: RoHS  
Female Header  
Series 208B: 2.00mm  
Plastics Height: 5.5mm  
Per Row: Double layer  
Pin: No. of Pins (02~80)  
Type: Straight Pin  
Material: A=PBT B=PA6T C=LCP

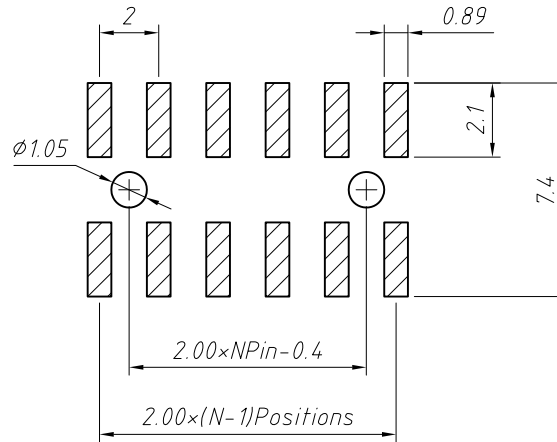
|                   |            |              |  |                          |
|-------------------|------------|--------------|--|--------------------------|
| ANGLE TOLERANCE   | PROJECTION | Description: | 2.0x5.5mm Female Header<br>Double layer, Straight Pin, 2xN Pin |                          |
| ±3°               |            |              |  |                          |
| GENERAL TOLERANCE | UNITS      | mm           | KLS P/N:   | L-KLS1-208B-5.5-2-XX-S-B |
| x.x ±0.30         | SHEET SIZE | A4           |  |                          |
| x.xx ±0.20        | Draw:      | Daniel       | 2018-07-10   |                          |
| x.xxx ±0.10       | Check:     | Daniel       | 2018-07-10   |                          |

**KLS** NingBo KLS ELECTRONIC CO.,L TD.

RoHS Compliance



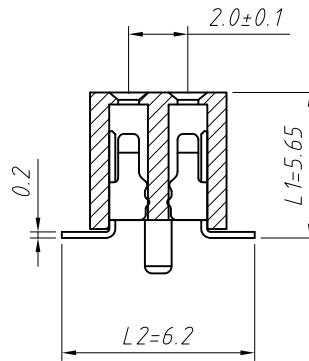
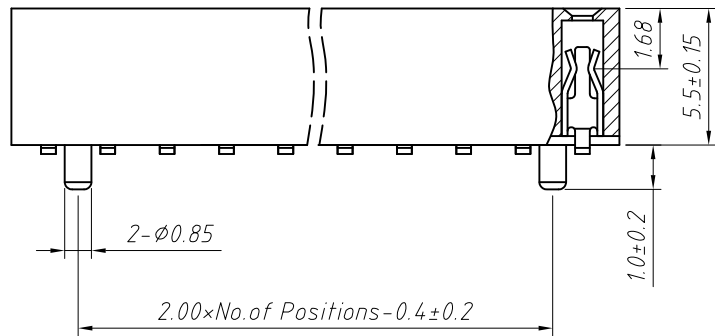
Recommended P.C.B Layout (Top Side)  
(PCB BOARD TOLERANCE ± 0.05)



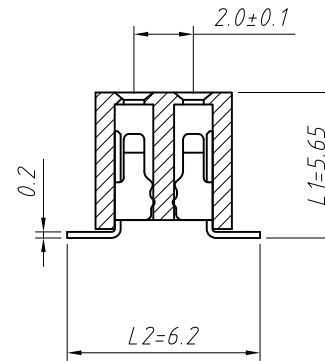
**Material:**  
Standard: PA6T  
Contact: Brass  
Contact plating: Au or Sn over Ni  
Nickel Insulator: Polyester, UL 94 V-0

**Electrical Characteristics:**  
Rated Current: 1.5AMP  
Contact Resistance: 20mΩ Max  
Withstand Voltage: 500V AC/DC  
Insulator Resistance: 1000MΩ Min

**Mechanical**  
Operating Temperature: -40°C ~ +105°C  
Max. Processing Temp: 230°C for 30-60 seconds (260°C for 10 seconds)



T3=With Post



T=Without Post

**Order Information:**

L-KLS1-208B-5.5-2-XX-T-L1xL2-B-R

L: RoHS  
Pin Header Series-  
208B: 2.00mm  
Plastics Height: 5.5mm  
Per Row: Double layer  
Pin: No. of Pins (02~80)  
SMT: T=Without Post, T3=With Post  
Size: L1xL2  
Material: A=PBT B=PA6T C=LCP  
Packing:  
A=Tray T=Tube M=Reel+Mylar  
P=Tube+Cap R=Reel+Cap

Dimension antitheses list (mm)

| ITEM        | L1   | L2   | Plastic Height |
|-------------|------|------|----------------|
| Standard    | 5.65 | 6.20 | 5.50           |
| Nonstandard | ---  | ---  | ---            |

| ANGLE TOLERANCE                     | PROJECTION | Description:   |
|-------------------------------------|------------|--|
| ±3°                                 |            | 2.00mm Female Header<br>Double layer, SMT Pin, 2xN Pin |
| GENERAL TOLERANCE                   | UNITS      | mm   |
| x.x ±0.30                           | SHEET SIZE | A4   |
| x.xx ±0.20                          | Draw:      | Daniel 2018-07-10                                      |
| x.xxx ±0.10                         | Check:     | Daniel 2018-07-10                                      |
| KLS NingBo KLS ELECTRONIC CO.,L TD. |            |  |