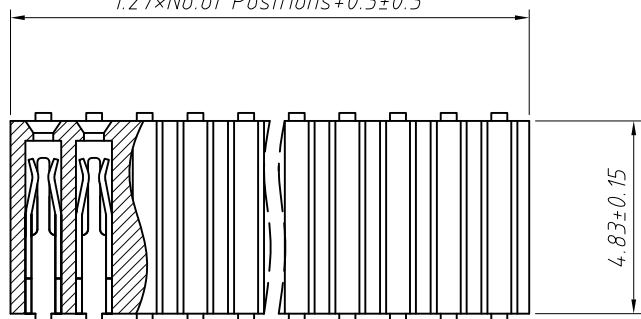
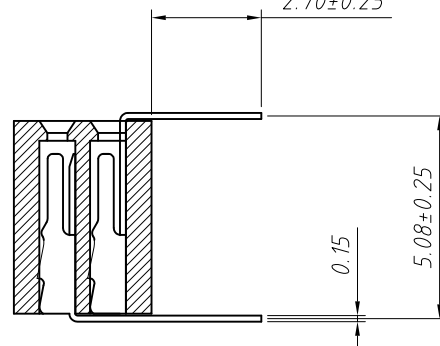


1
RoHS Compliance

2
 $1.27 \times \text{No. of Positions} + 0.3 \pm 0.3$



5
 2.70 ± 0.25

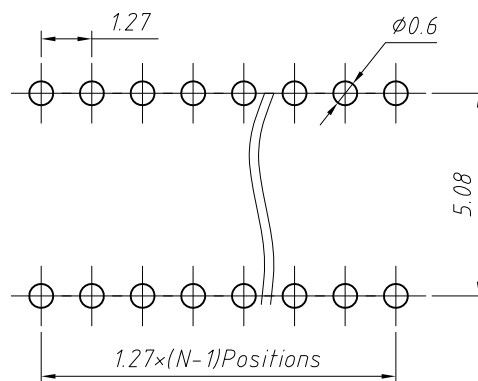
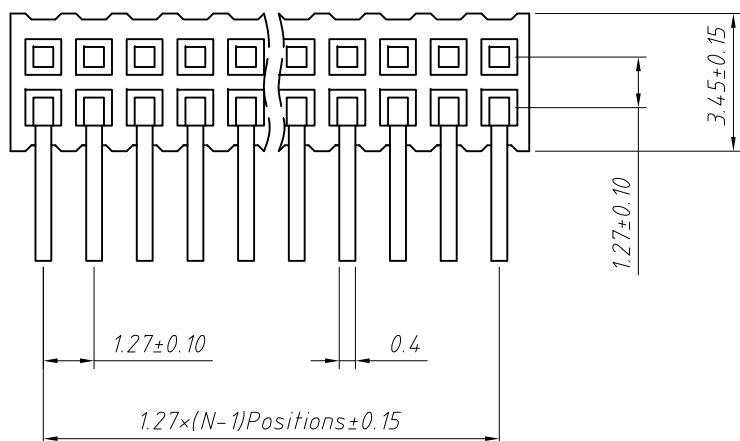


Material:
Standard: PA6T/LCP
Contact: Phosphor Bronze
Plating: Au or Sn Over Ni
Insulator: Polyester, UL 94V-0

Electrical Characteristics:
Rated Current: 1.0AMP
Contact Resistance: 20mΩ Max
Withstand Voltage: 500V AC/DC
Insulator Resistance: 1000MΩ Min

Mechanical
Operating Temperature: -40°C ~ +105°C
Max. Processing Temp: 230°C for 30-60 seconds (260°C for 10 seconds)

Recommended P.C.B Layout (Top Side)
(PCB BOARD TOLERANCE ±0.05)



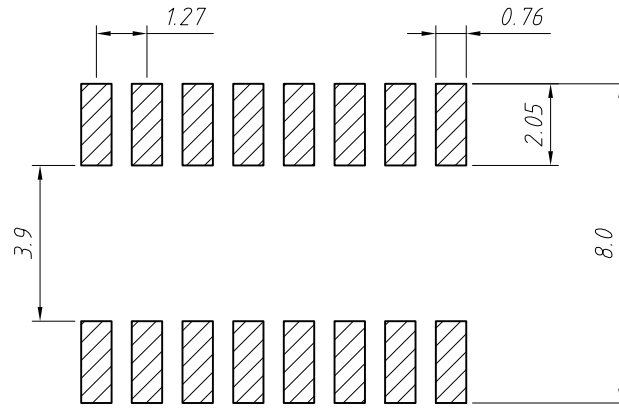
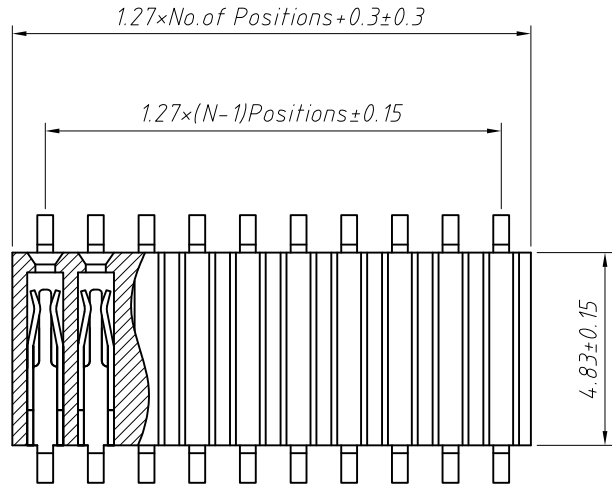
Order Information:
L-KLS1-208CP-3.4-2-XX-R-B
L: RoHS
Female Header
Series 208CP: 1.27mm
Plastics Height: 3.4mm
Per Row: Double layer
Pin: No. of Pins (02~80)
Type: Right Angle Pin
Material: B=PA6T C=LCP

ANGLE TOLERANCE	PROJECTION	Description:	1.27x3.4mm Female Header Double layer, Right Angle Pin, 2xN Pin
±3°			
GENERAL TOLERANCE	UNITS	mm	KLS P/N:
x.x ±0.30	SHEET SIZE	A4	L-KLS1-208CP-3.4-2-XX-R-B
x.xx ±0.20	Draw:	Daniel	2018-07-10
x.xxx ±0.10	Check:	Daniel	2018-07-10



NingBo KLS ELECTRONIC CO., L TD.

1 RoHS Compliance

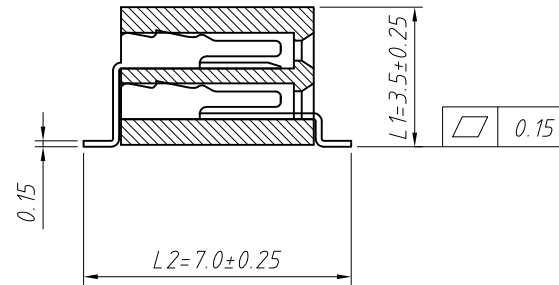
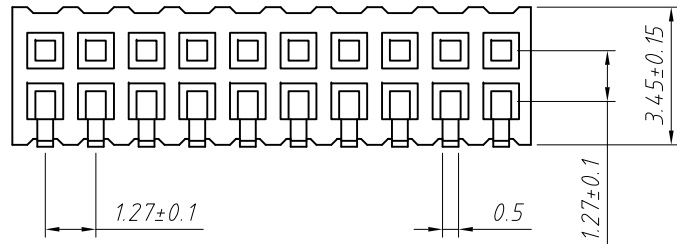


Recommended P.C.B Layout (Top Side)
(PCB BOARD TOLERANCE ± 0.05)

Material:
Standard: PA6T/LCP
Contact: Phosphor Bronze
Contact plating: Au or Sn over Ni
Nickel Insulator: Polyester, UL 94 V-0

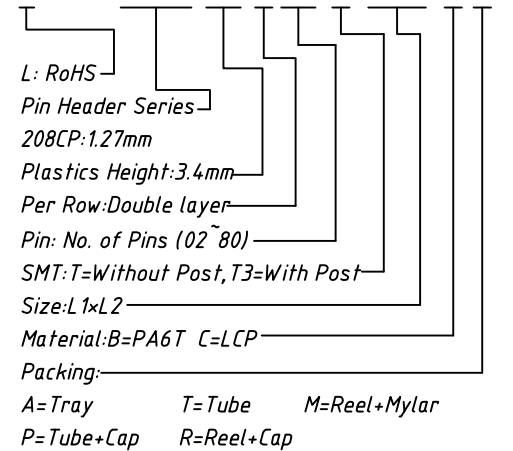
Electrical Characteristics:
Rated Current: 1.0AMP
Contact Resistance: 20mΩ Max
Withstand Voltage: 500V AC/DC
Insulator Resistance: 1000MΩ Min

Mechanical
Operating Temperature: -40°C ~ +105°C
Max. Processing Temp: 230°C for 30-60 seconds (260°C for 10 seconds)



Order Information:

L-KLS1-208CP-3.4-2-XX-T-L1xL2-B-R



Dimension antitheses list (mm)

ITEM	L1	L2	Plastic Height
Standard	3.50	7.00	3.40
Nonstandard	---	---	---

ANGLE TOLERANCE	PROJECTION	Description:
±3°		1.27mm Female Header Double layer, SMT Pin, 2xN Pin
GENERAL TOLERANCE	UNITS	mm
x.x ±0.30	SHEET SIZE	A4
x.xx ±0.20	Draw:	Daniel 2018-07-10
x.xxx ±0.10	Check:	Daniel 2018-07-10



NingBo KLS ELECTRONIC CO.,L TD.