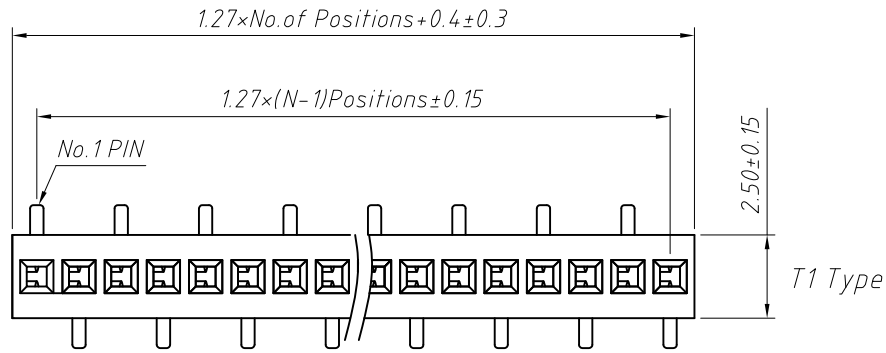
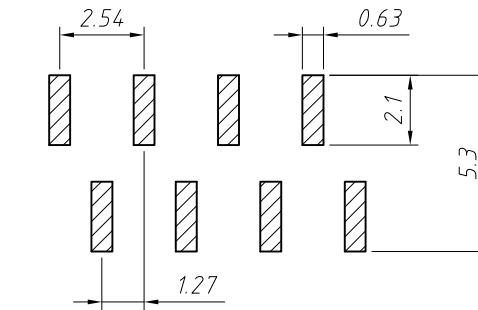


RoHS Compliance



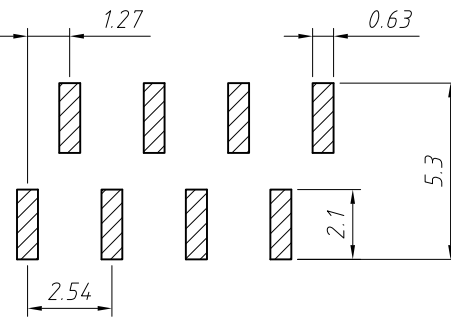
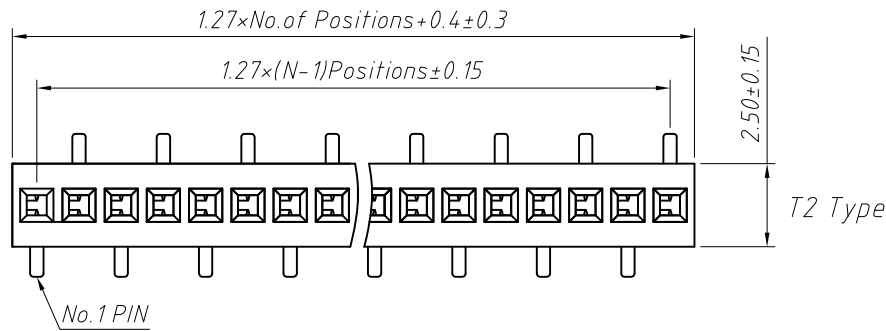
Recommended P.C.B Layout (Top Side)
(PCB BOARD TOLERANCE±0.05)



Material:
Standard:PA6T/LCP
Contact:Phosphor Bronze
Contact plating:Au or Sn over Ni
Nickel Insulator:Polyester,UL94V-0

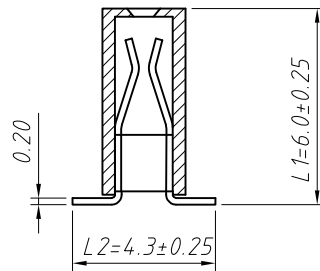
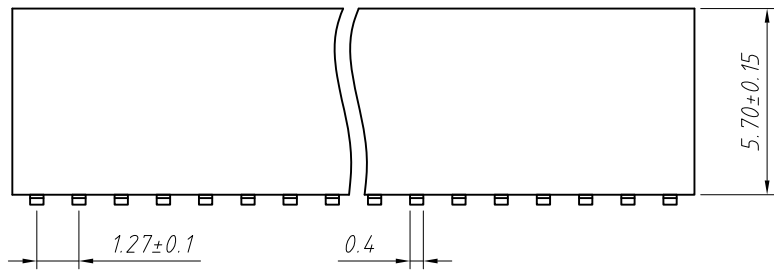
Electrical Characteristics:
Rated Current: 1.0AMP
Contact Resistance: 20mΩ Max
Withstand Voltage: 500V AC/DC
Insulator Resistance: 1000MΩ Min

Mechanical
Operating Temperature: -40°C ~ +105°C
Max.Processing Temp:230°C for 30-60 seconds (260°C for 10 seconds)



Order Information:
L-KLS1-208C-5.7-1-XX-T1-L1xL2-N-B-R

L: RoHS
Pin Header Series-
208C:1.27mm
Plastics Height:5.7mm
Per Row:Single layer
Pin: No. of Pins (1x40)
SMT Pin:T1 Type,T2 Type
Size:L1xL2
Post:W=With Post N=W/O Post
Material:B=PA6T C=LCP
Packing:
A=Tray T=Tube M=Reel+Mylar
P=Tube+Cap R=Reel+Cap

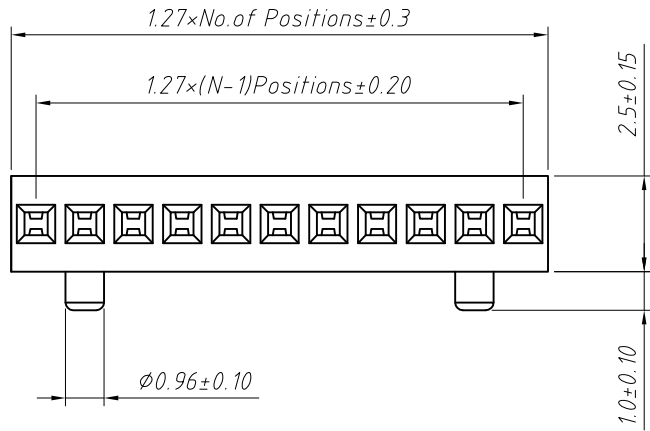


Dimension antitheses list (mm)			
ITEM	L1	L2	Plastic Height
Standard	6.00	4.30	5.70
Nonstandard	---	---	---

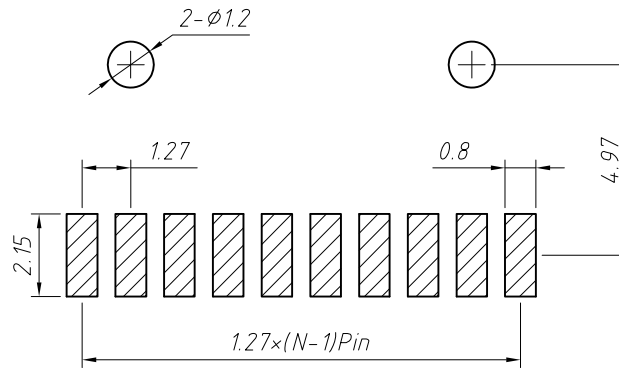
ANGLE TOLERANCE		PROJECTION		Description:	
±3°				1.27mm Female Header Single layer, SMT Pin, 1xN Pin	
GENERAL TOLERANCE		UNITS	mm	KLS P/N:	
x.x	±0.30	SHEET SIZE	A4	L-KLS1-208C-5.7-1-XX-T1-L1xL2-N-B-R	
x.xx	±0.20	Draw:	Daniel	2018-07-10	
x.xxx	±0.10	Check:	Daniel	2018-07-10	

NingBo KLS ELECTRONIC CO.,L TD.

1 RoHS Compliance



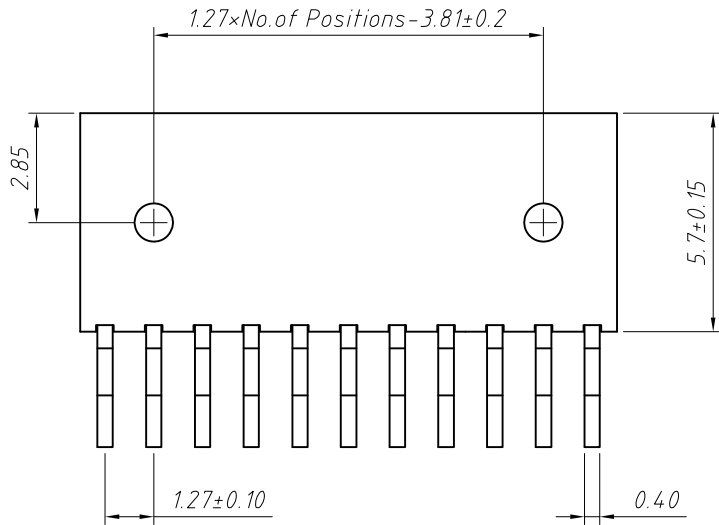
Recommended P.C.B Layout (Top Side)
(PCB BOARD TOLERANCE±0.05)



Material:
Standard:PA6T/LCP
Contact:Phosphor Bronze
Plating:Au or Ni
Insulator:Polyester,UL 94 V-0

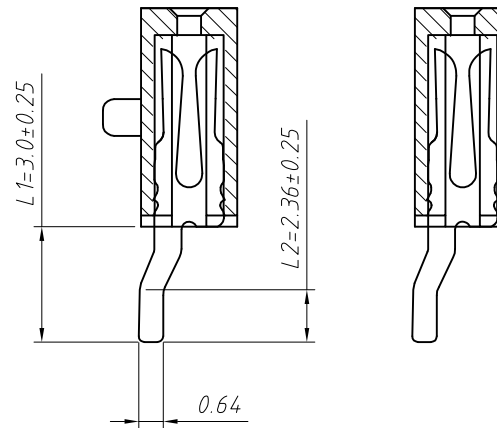
Electrical Characteristics:
Rated Current: 1.0AMP
Contact Resistance: 20mΩ Max
Withstand Voltage: 500V AC/DC
Insulator Resistance: 1000MΩ Min

Mechanical
Operating Temperature: -40°C ~ +105°C
Max.Processing Temp:230°C for 30-60 seconds (260°C for 10 seconds)



W=With Post

N=Without Post



Order Information:

L-KLS1-208C-5.7-1-XX-RM-L1xL2-N-B-R

L: RoHS
Female Header
Series 208C:1.27mm
Plastics Height:5.7mm
Per Row:Single layer
Pin: No. of Pins (1x40)
Type:Horizontal SMT
Size:L1xL2
Post:W=With Post N=Without Post
Material:B=PA6T C=LCP
Packing:
A=Tray T=Tube M=Reel+Mylar
P=Tube+Cap R=Reel+Cap

Dimension antitheses list (mm)

ITEM	L1	L2	Plastic Height
Standard	3.00	2.36	5.70
Nonstandard	---	---	---

ANGLE TOLERANCE	PROJECTION	Description:
±3°		1.27x5.7mm Female Header Single layer,Horizontal SMT,1xN Pin
GENERAL TOLERANCE	UNITS	mm
x.x ±0.30	SHEET SIZE	A4
x.xx ±0.20	Draw:	Daniel 2018-07-10
x.xxx ±0.10	Check:	Daniel 2018-07-10



NingBo KLS ELECTRONIC CO.,L TD.