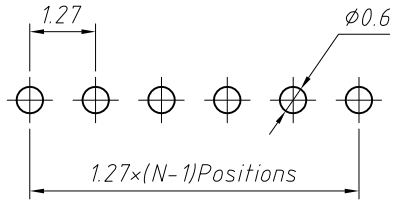
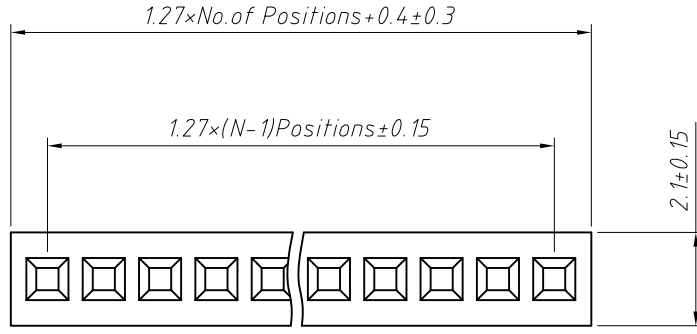


1
RoHS Compliance

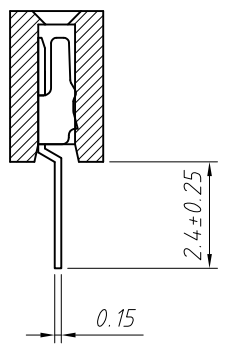
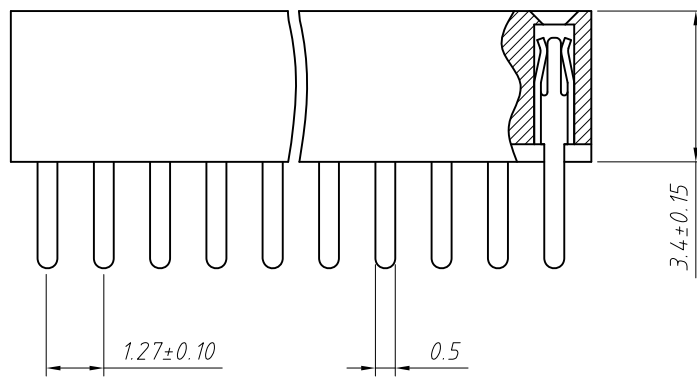


Recommended P.C.B Layout (Top Side)
(PCB BOARD TOLERANCE ± 0.05)

Material:
Standard: PA6T/LCP
Contact: Phosphor Bronze
Plating: Au or Sn Over Ni
Insulator: Polyester, UL 94V-0

Electrical Characteristics:
Rated Current: 1.0AMP
Contact Resistance: 20mΩ Max
Withstand Voltage: 500V AC/DC
Insulator Resistance: 1000MΩ Min

Mechanical
Operating Temperature: -40°C ~ +105°C
Max. Processing Temp: 230°C for 30-60 seconds (260°C for 10 seconds)



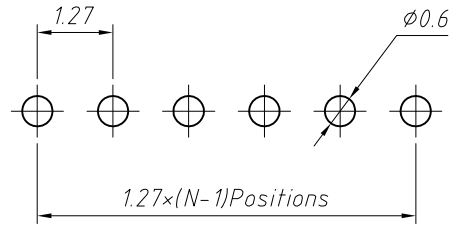
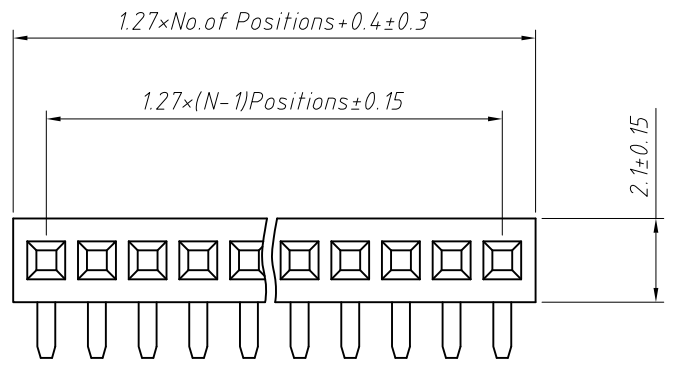
Order Information:
L-KLS1-208C-3.4-1-XX-S-B

- L: RoHS
- Female Header
- Series 208C: 1.27mm
- Plastics Height: 3.4mm
- Per Row: Single layer
- Pin: No. of Pins (1x40)
- Type: Straight Pin
- Material: B=PA6T C=LCP

ANGLE TOLERANCE	PROJECTION	Description:	1.27x3.4mm Female Header Single layer, Straight Pin, 1xN Pin
±3°			
GENERAL TOLERANCE	UNITS	mm	KLS P/N:
x.x ±0.30	SHEET SIZE	A4	L-KLS1-208C-3.4-1-XX-S-B
x.xx ±0.20	Draw:	Daniel	2018-07-10
x.xxx ±0.10	Check:	Daniel	2018-07-10

NingBo KLS ELECTRONIC CO.,L TD.

1
RoHS Compliance

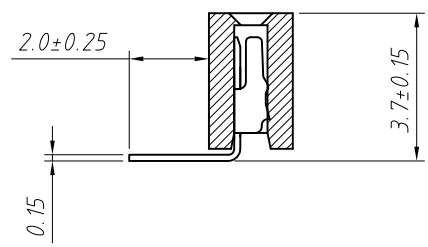
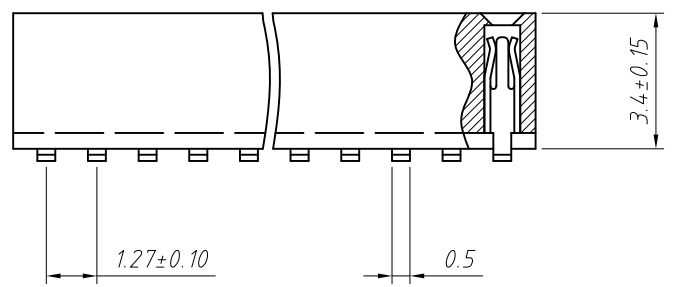


Recommended P.C.B Layout (Top Side)
(PCB BOARD TOLERANCE ±0.05)

Material:
Standard: PA6T/LCP
Contact: Phosphor Bronze
Plating: Au or Sn Over Ni
Insulator: Polyester, UL94V-0

Electrical Characteristics:
Rated Current: 1.0AMP
Contact Resistance: 20mΩ Max
Withstand Voltage: 500V AC/DC
Insulator Resistance: 1000MΩ Min

Mechanical
Operating Temperature: -40°C ~ +105°C
Max. Processing Temp: 230°C for 30-60 seconds (260°C for 10 seconds)

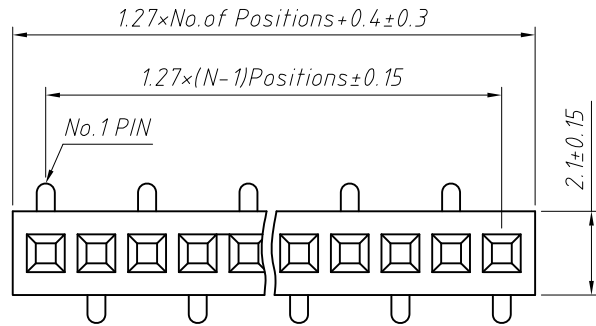


Order Information:
L-KLS1-208C-3.4-1-XX-R-B
L: RoHS
Female Header
Series 208C: 1.27mm
Plastics Height: 3.4mm
Per Row: Single layer
Pin: No. of Pins (1x40)
Type: Right Angle Pin
Material: B=PA6T C=LCP

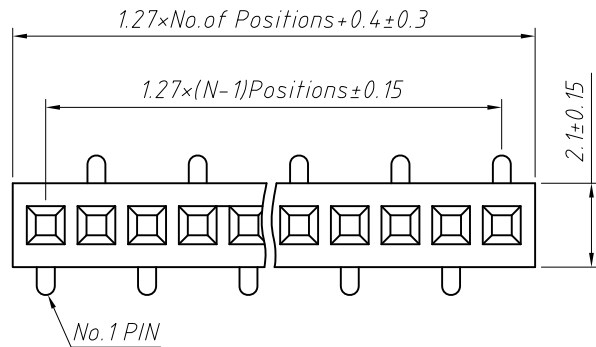
ANGLE TOLERANCE	PROJECTION	Description:	1.27x3.4mm Female Header
±3°			Single layer, Right Angle Pin, 1xN Pin
GENERAL TOLERANCE	UNITS	mm	KLS P/N:
x.x ±0.30	SHEET SIZE	A4	L-KLS1-208C-3.4-1-XX-R-B
x.xx ±0.20	Draw:	Daniel	2018-07-10
x.xxx ±0.10	Check:	Daniel	2018-07-10



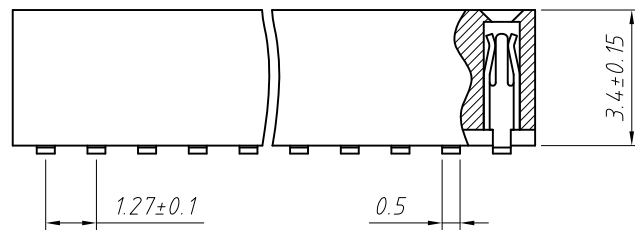
RoHS Compliance



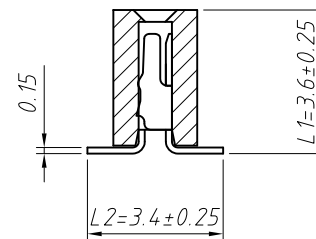
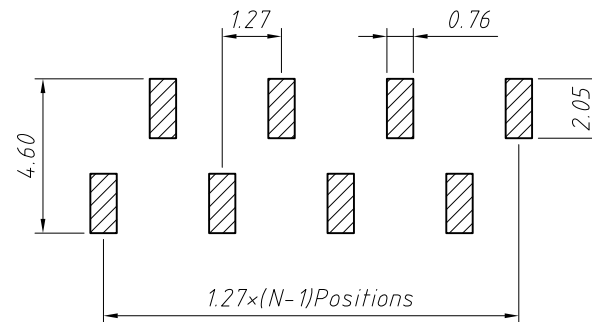
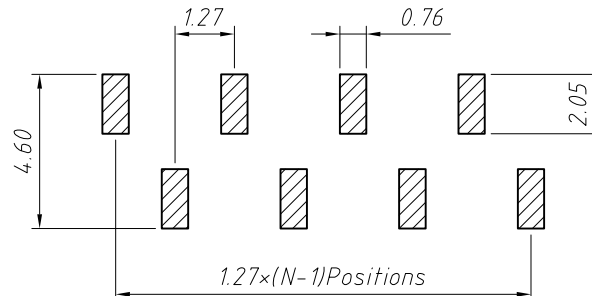
T1 Type



T2 Type



Recommended P.C.B Layout (Top Side)
(PCB BOARD TOLERANCE±0.05)



Material:
Standard:PA6T/LCP
Contact:Phosphor Bronze
Contact plating:Au or Sn over Ni
Nickel Insulator:Polyester,UL94V-0

Electrical Characteristics:
Rated Current: 1.0AMP
Contact Resistance: 20mΩ Max
Withstand Voltage: 500V AC/DC
Insulator Resistance: 1000MΩ Min

Mechanical
Operating Temperature: -40°C ~ +105°C
Max.Processing Temp:230°C for 30-60 seconds (260°C for 10 seconds)

Order Information:

L-KLS1-208C-3.4-1-XX-T1-L1xL2-N-B-R

L: RoHS
Pin Header Series-
208C:1.27mm
Plastics Height:3.4mm
Per Row:Single layer
Pin: No. of Pins (1x40)
SMT Pin:T1 Type, T2 Type
Size:L1xL2
Post:W=With Post N=W/O Post
Material:B=PA6T C=LCP
Packing:
A=Tray T=Tube M=Reel+Mylar
P=Tube+Cap R=Reel+Cap

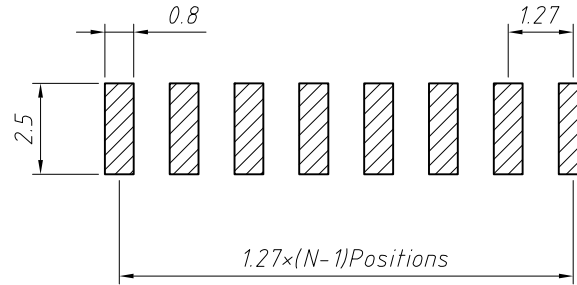
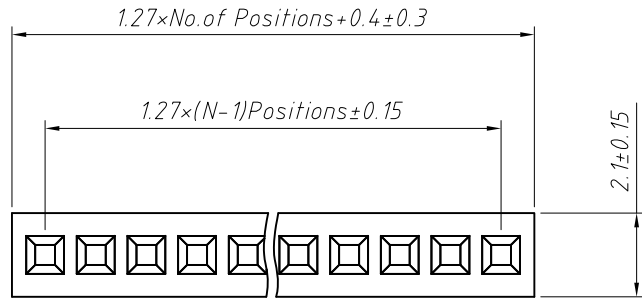
Dimension antitheses list (mm)			
ITEM	L1	L2	Plastic Height
Standard	3.60	3.40	3.40
Nonstandard	---	---	---

ANGLE TOLERANCE	PROJECTION	Description:	
±3°		1.27mm Female Header Single layer, SMT Pin, 1xN Pin	
GENERAL TOLERANCE	UNITS	mm	KLS P/N:
x.x ±0.30	SHEET SIZE	A4	L-KLS1-208C-3.4-1-XX-T1-L1xL2-N-B-R
x.xx ±0.20	Draw:	Daniel	2018-07-10
x.xxx ±0.10	Check:	Daniel	2018-07-10

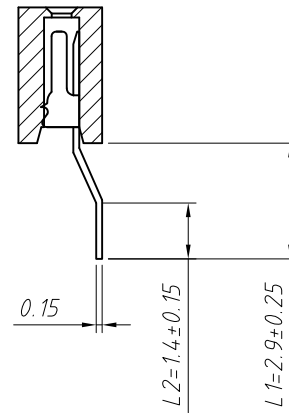
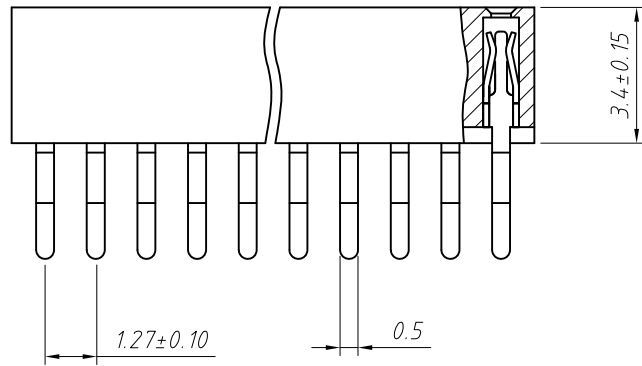


NingBo KLS ELECTRONIC CO.,L TD.

1 RoHS Compliance



Recommended P.C.B Layout (Top Side)
(PCB BOARD TOLERANCE±0.05)



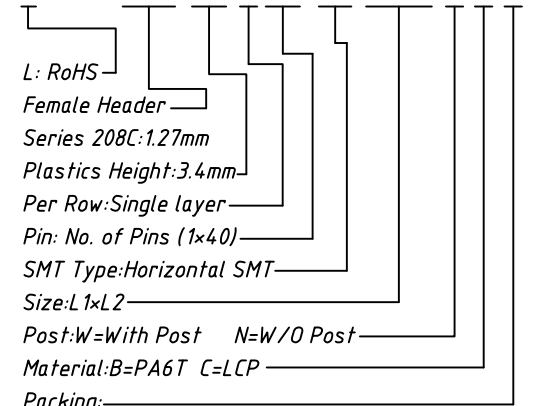
Material:
Standard:PA6T/LCP
Contact:Phosphor Bronze
Plating:Au or Sn Over Ni
Insulator:Polyester,UL94V-0

Electrical Characteristics:
Rated Current: 1.0AMP
Contact Resistance: 20mΩ Max
Withstand Voltage: 500V AC/DC
Insulator Resistance: 1000MΩ Min

Mechanical
Operating Temperature: -40°C~+105°C
Max.Processing Temp:230°C for 30-60 seconds (260°C for 10 seconds)

Order Information:

L-KLS1-208C-3.4-1-XX-RM-L1xL2-N-B-R



A=Tray T=Tube M=Reel+Mylar
P=Tube+Cap R=Reel+Cap

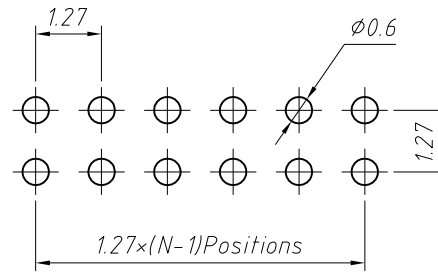
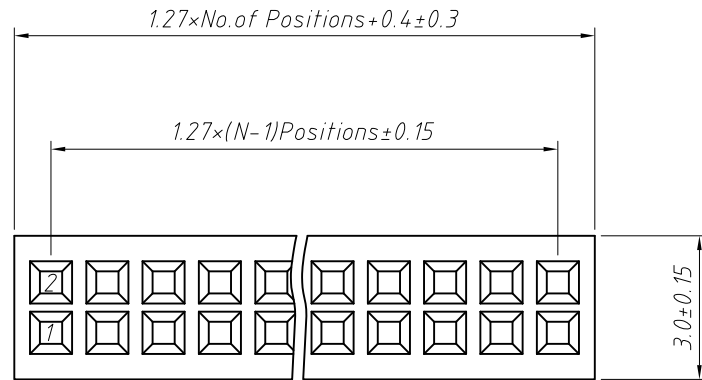
Dimension antitheses list (mm)			
ITEM	L1	L2	Plastic Height
Standard	2.9	1.4	3.4
Nonstandard	---	---	---

ANGLE TOLERANCE	PROJECTION	Description:
±3°		1.27x3.4mm Female Header Single layer,Horizontal SMT,1xN Pin
GENERAL TOLERANCE	UNITS	mm
x.x ±0.30	SHEET SIZE	A4
x.xx ±0.20	Draw:	Daniel 2018-07-10
x.xxx ±0.10	Check:	Daniel 2018-07-10

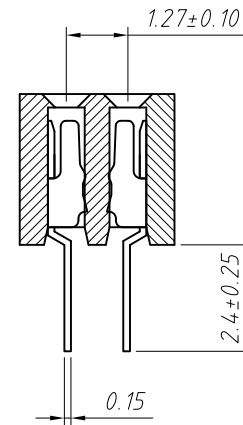
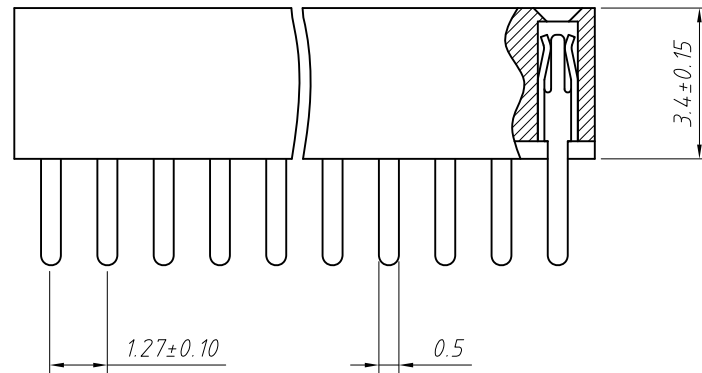


NingBo KLS ELECTRONIC CO.,L TD.

1
RoHS Compliance



Recommended P.C.B Layout (Top Side)
(PCB BOARD TOLERANCE ± 0.05)



Material:
Standard: PA6T/LCP
Contact: Phosphor Bronze
Plating: Au or Sn Over Ni
Insulator: Polyester, UL94 V-0

Electrical Characteristics:
Rated Current: 1.0AMP
Contact Resistance: 20mΩ Max
Withstand Voltage: 500V AC/DC
Insulator Resistance: 1000MΩ Min

Mechanical
Operating Temperature: -40°C ~ +105°C
Max. Processing Temp: 230°C for 30-60 seconds (260°C for 10 seconds)

Order Information:
L-KLS1-208C-3.4-2-XX-S-B

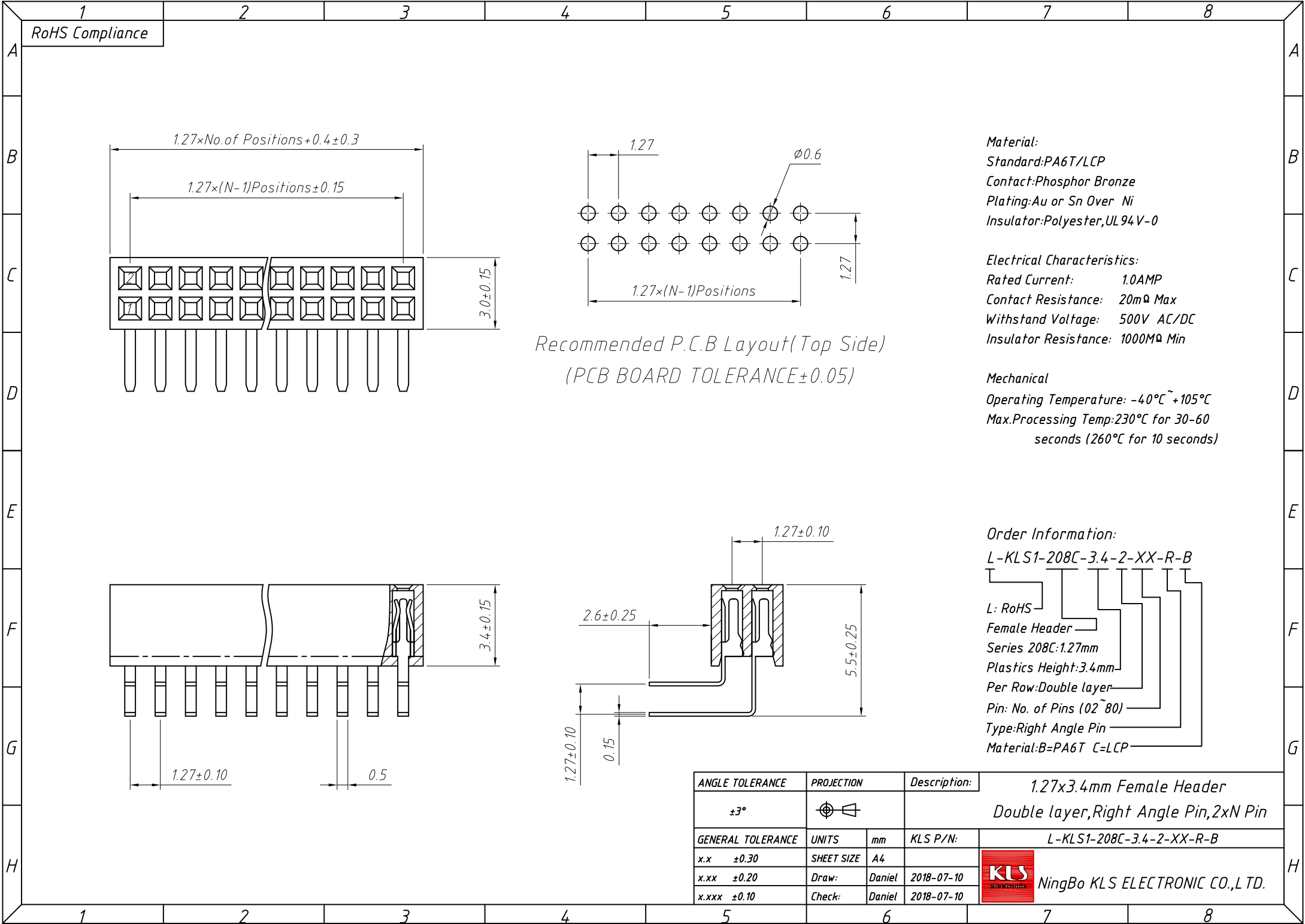
L: RoHS
Female Header
Series 208C: 1.27mm
Plastics Height: 3.4mm
Per Row: Double layer
Pin: No. of Pins (02 ~ 80)
Type: Straight Pin
Material: B=PA6T C=LCP

ANGLE TOLERANCE	PROJECTION	Description:	1.27x3.4mm Female Header Double layer, Straight Pin, 2xN Pin
±3°			
GENERAL TOLERANCE	UNITS	mm	KLS P/N: L-KLS1-208C-3.4-2-XX-S-B
x.x ±0.30	SHEET SIZE	A4	
x.xx ±0.20	Draw:	Daniel	2018-07-10
x.xxx ±0.10	Check:	Daniel	2018-07-10



NingBo KLS ELECTRONIC CO., L TD.

1
RoHS Compliance



Recommended P.C.B Layout (Top Side)
(PCB BOARD TOLERANCE ± 0.05)

Material:
Standard: PA6T/LCP
Contact: Phosphor Bronze
Plating: Au or Sn Over Ni
Insulator: Polyester, UL94V-0

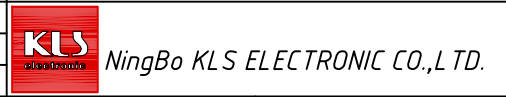
Electrical Characteristics:
Rated Current: 1.0AMP
Contact Resistance: 20m Ω Max
Withstand Voltage: 500V AC/DC
Insulator Resistance: 1000M Ω Min

Mechanical
Operating Temperature: -40°C ~ +105°C
Max. Processing Temp: 230°C for 30-60 seconds (260°C for 10 seconds)

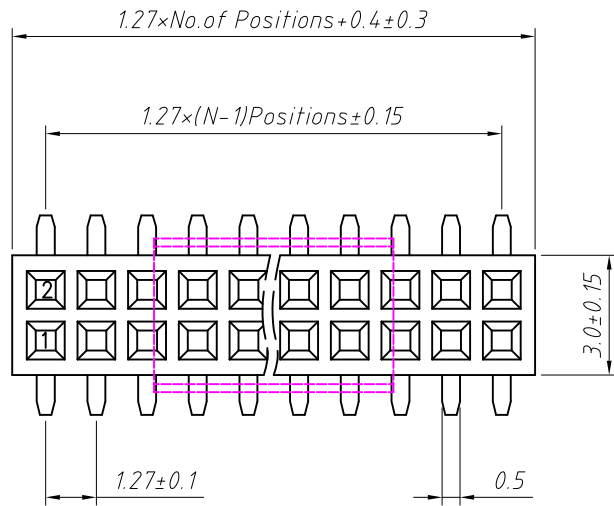
Order Information:
L-KLS1-208C-3.4-2-XX-R-B

L: RoHS
Female Header
Series 208C: 1.27mm
Plastics Height: 3.4mm
Per Row: Double layer
Pin: No. of Pins (02~80)
Type: Right Angle Pin
Material: B=PA6T C=LCP

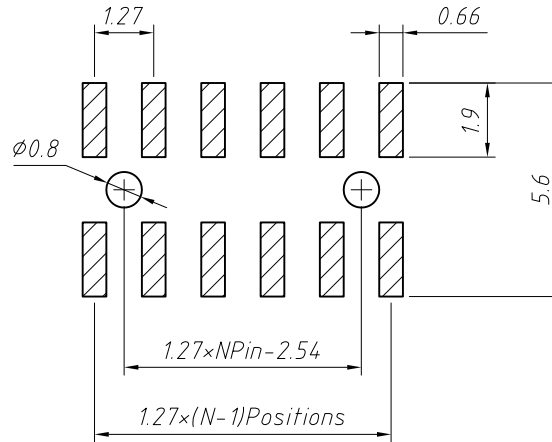
ANGLE TOLERANCE	PROJECTION	Description:	1.27x3.4mm Female Header
$\pm 3^\circ$			Double layer, Right Angle Pin, 2xN Pin
GENERAL TOLERANCE	UNITS	mm	KLS P/N:
x.x ± 0.30	SHEET SIZE	A4	L-KLS1-208C-3.4-2-XX-R-B
x.xx ± 0.20	Draw:	Daniel	2018-07-10
x.xxx ± 0.10	Check:	Daniel	2018-07-10



1 RoHS Compliance



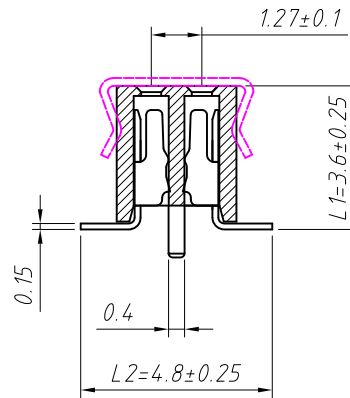
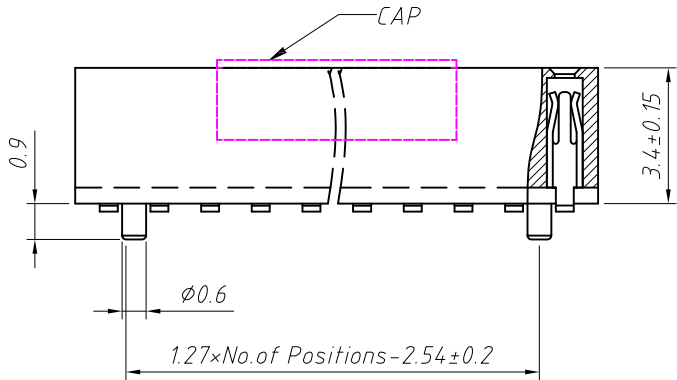
Recommended P.C.B Layout (Top Side)
(PCB BOARD TOLERANCE±0.05)



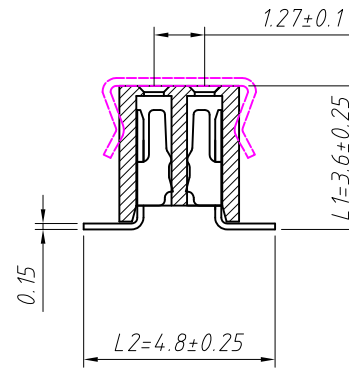
Material:
Standard:PA6T/LCP
Contact:Phosphor Bronze
Contact plating:Au or Sn over Ni
Nickel Insulator:Polyester,UL 94V-0

Electrical Characteristics:
Rated Current: 1.0AMP
Contact Resistance: 20mΩ Max
Withstand Voltage: 500V AC/DC
Insulator Resistance: 1000MΩ Min

Mechanical
Operating Temperature: -40°C ~ +105°C
Max.Processing Temp:230°C for 30-60 seconds (260°C for 10 seconds)



T3=With Post



T=Without Post

Order Information:

L-KLS1-208C-3.4-2-XX-T-L1xL2-B-R

L: RoHS
Pin Header Series-
208C:1.27mm
Plastics Height:3.4mm
Per Row:Double layer
Pin: No. of Pins (02~80)
SMT:T=Without Post,T3=With Post
Size:L1xL2
Material:B=PA6T C=LCP
Packing:
A=Tray T=Tube M=Reel+Mylar
P=Tube+Cap R=Reel+Cap

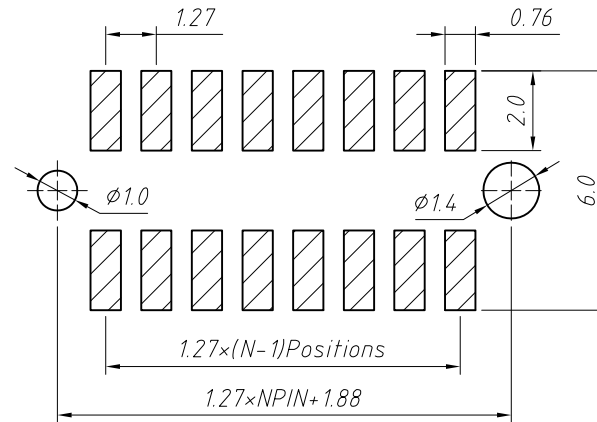
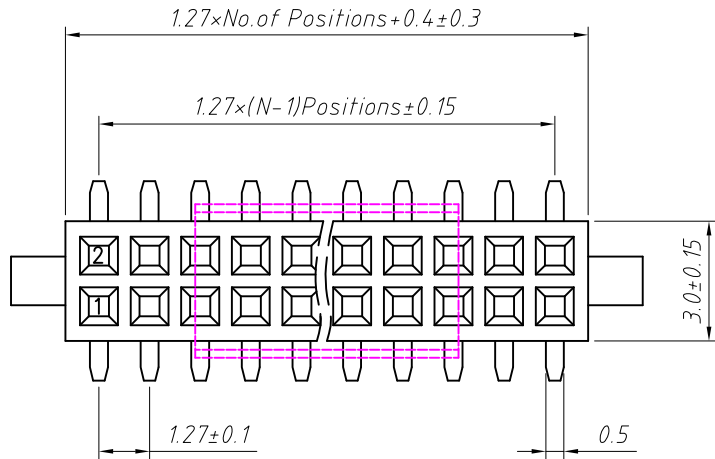
Dimension antitheses list (mm)			
ITEM	L1	L2	Plastic Height
Standard	3.60	4.80	3.40
Nonstandard	---	---	---

ANGLE TOLERANCE	PROJECTION	Description:	
±3°		1.27mm Female Header Double layer ,SMT Pin,2xN Pin	
GENERAL TOLERANCE	UNITS	mm	KLS P/N:
x.x ±0.30	SHEET SIZE	A4	L-KLS1-208C-3.4-2-XX-T-L1xL2-B-R
x.xx ±0.20	Draw:	Daniel	2018-07-10
x.xxx ±0.10	Check:	Daniel	2018-07-10



NingBo KLS ELECTRONIC CO.,L TD.

1 RoHS Compliance

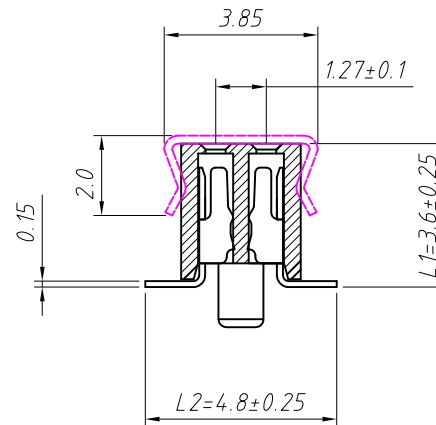
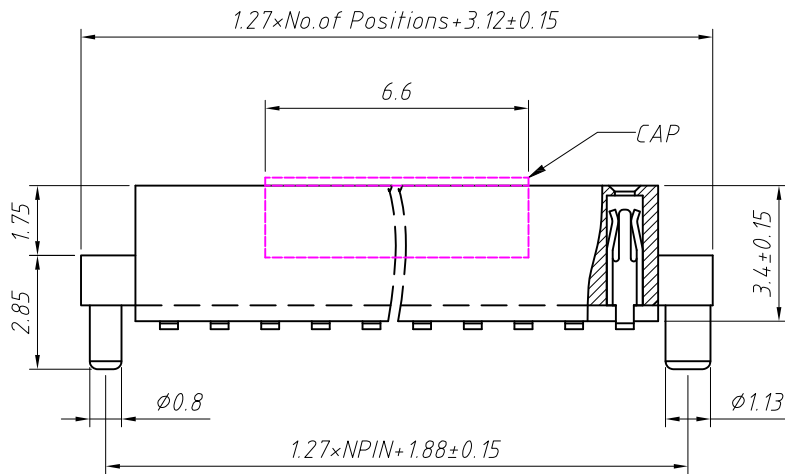


Recommended P.C.B Layout (Top Side)
(PCB BOARD TOLERANCE±0.05)

Material:
Standard:PA6T/LCP
Contact:Phosphor Bronze
Contact plating:Au or Sn over Ni
Nickel Insulator:Polyester,UL 94 V-0

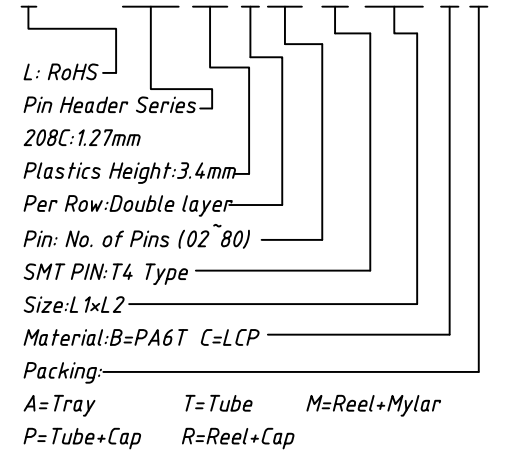
Electrical Characteristics:
Rated Current: 1.0AMP
Contact Resistance: 20mΩ Max
Withstand Voltage: 500V AC/DC
Insulator Resistance: 1000MΩ Min

Mechanical
Operating Temperature: -40°C ~ +105°C
Max.Processing Temp:230°C for 30-60 seconds (260°C for 10 seconds)



Order Information:

L-KLS1-208C-3.4-2-XX-T4-L1xL2-B-R



Dimension antitheses list (mm)

ITEM	L1	L2	Plastic Height
Standard	3.60	4.80	3.40
Nonstandard	---	---	---

ANGLE TOLERANCE	PROJECTION	Description:
±3°		1.27mm Female Header Double layer , SMT Pin, 2xN Pin
GENERAL TOLERANCE	UNITS	mm
x.x ±0.30	SHEET SIZE	A4
x.xx ±0.20	Draw:	Daniel 2018-07-10
x.xxx ±0.10	Check:	Daniel 2018-07-10



NingBo KLS ELECTRONIC CO.,L TD.