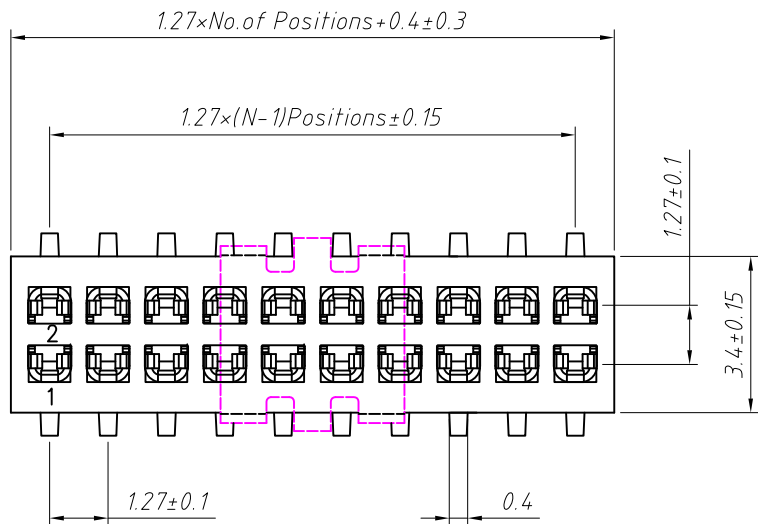
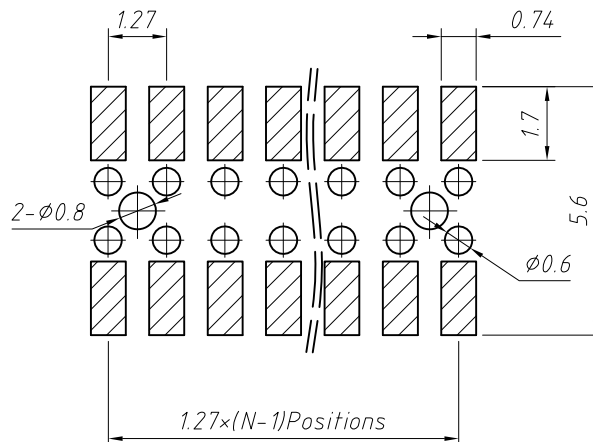


RoHS Compliance



Recommended P.C.B Layout (Top Side)
(PCB BOARD TOLERANCE ± 0.05)



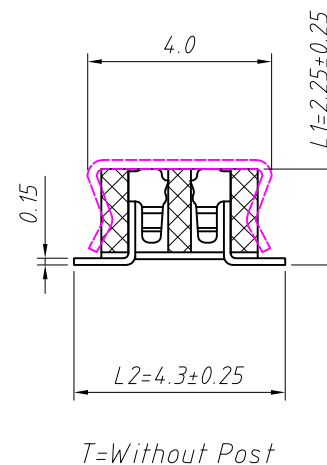
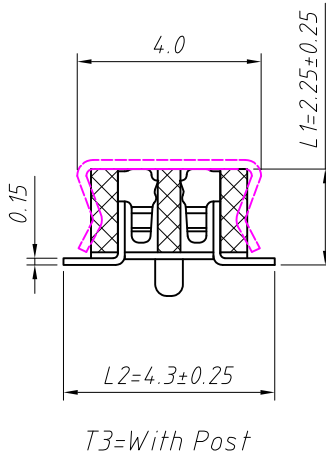
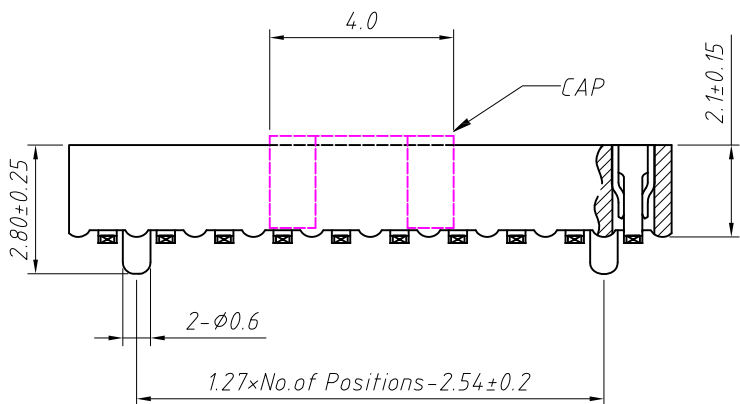
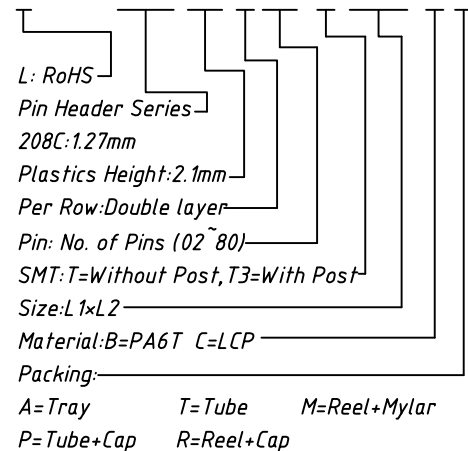
Material:
Standard: PA6T/LCP
Contact: Phosphor Bronze
Contact plating: Au or Sn over Ni
Nickel Insulator: Polyester, UL 94 V-0

Electrical Characteristics:
Rated Current: 1.0AMP
Contact Resistance: 20mΩ Max
Withstand Voltage: 500V AC/DC
Insulator Resistance: 1000MΩ Min

Mechanical
Operating Temperature: -40°C ~ +105°C
Max. Processing Temp: 230°C for 30-60 seconds (260°C for 10 seconds)

Order Information:

L-KLS1-208C-2.1-2-XX-T-L1xL2-B-R



Dimension antitheses list (mm)			
ITEM	L1	L2	Plastic Height
Standard	2.25	4.30	2.10
Nonstandard	---	---	---

ANGLE TOLERANCE	PROJECTION	Description:
±3°		1.27mm Female Header Double layer, SMT Pin, 2xN Pin
GENERAL TOLERANCE	UNITS	mm
x.x ±0.30	SHEET SIZE	A4
x.xx ±0.20	Draw:	Daniel 2018-07-10
x.xxx ±0.10	Check:	Daniel 2018-07-10



NingBo KLS ELECTRONIC CO.,L TD.