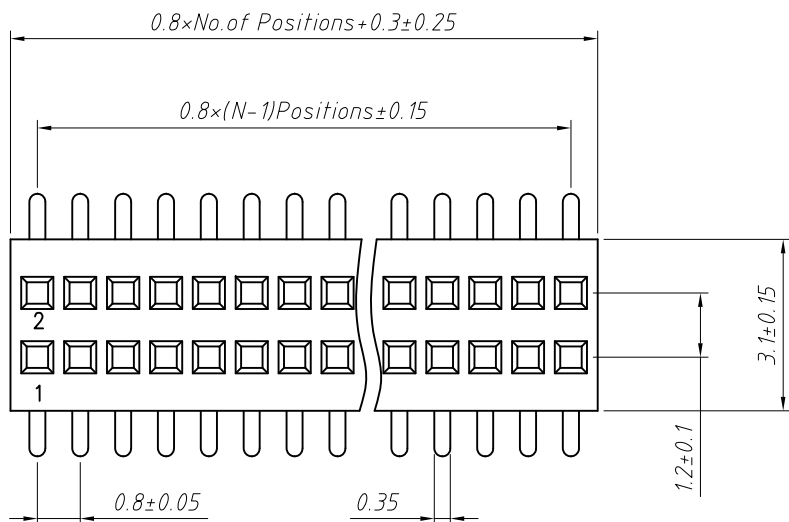
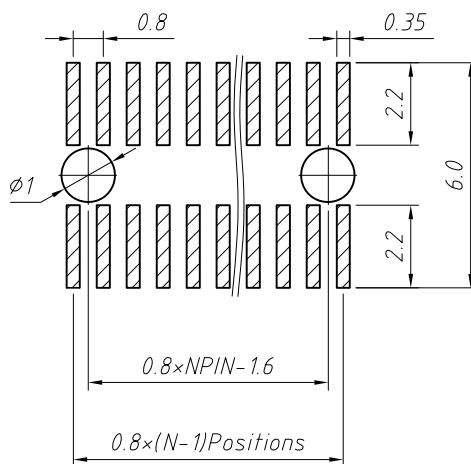


RoHS Compliance



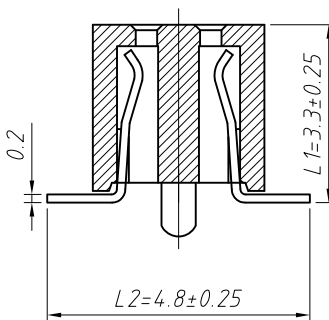
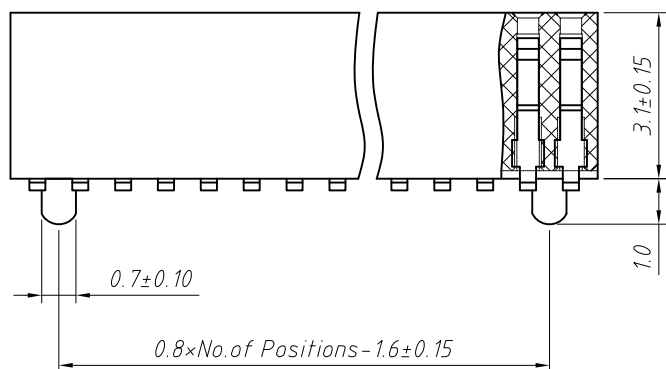
Recommended P.C.B Layout (Top Side)
(PCB BOARD TOLERANCE±0.05)



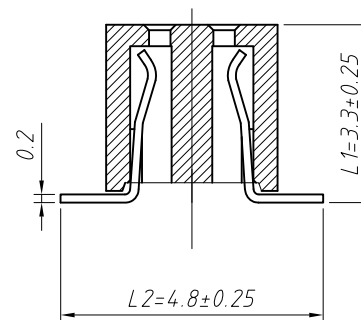
Material:
Standard:PA6T / LCP
Contact:Phosphor Bronze
Contact plating:Au or Sn over Ni
NickelInsulator:Polyester,UL 94 V-0

Electrical Characteristics:
Rated Current: 0.75AMP
Contact Resistance: 30mΩ Max
Withstand Voltage: 500V AC/DC
Insulator Resistance: 1000MΩ Min

Mechanical
Operating Temperature: -40°C ~ +105°C
Max.Processing Temp:240°C for 30-60 seconds (260°C for 10 seconds)



T3=With Post



T=Without Post

Order Information:

L-KLS1-208S-3.1-2-XX-T-L1xL2-B-R

L: RoHS
Pin Header Series
208S:0.8mm
Plastics Height:3.1mm
Per Row:Double layer
Pin: No. of Pins (02~80)
SMT:T=Without Post,T3=With Post
Size:L1xL2
Material:B=PA6T C=LCP
Packing:
A=Tray T=Tube M=Reel+Mylar
P=Tube+Cap R=Reel+Cap

Dimension antitheses list (mm)

ITEM	L1	L2	Plastic Height
Standard	3.30	4.80	3.10
Nonstandard	---	---	---

ANGLE TOLERANCE	PROJECTION	Description:
±3°		0.8x1.2x3.1mm Female Header Double layer ,SMT Pin,2xN Pin
GENERAL TOLERANCE	UNITS	mm
x.x ±0.30	SHEET SIZE	A4
x.xx ±0.20	Draw:	Daniel 2018-07-10
x.xxx ±0.10	Check:	Daniel 2018-07-10



NingBo KLS ELECTRONIC CO.,L TD.