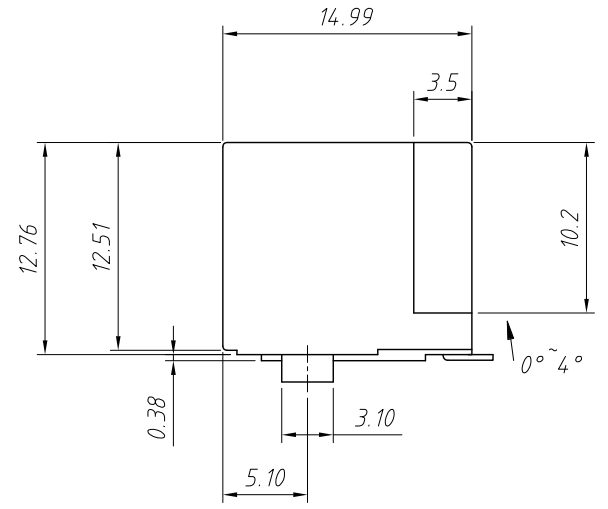
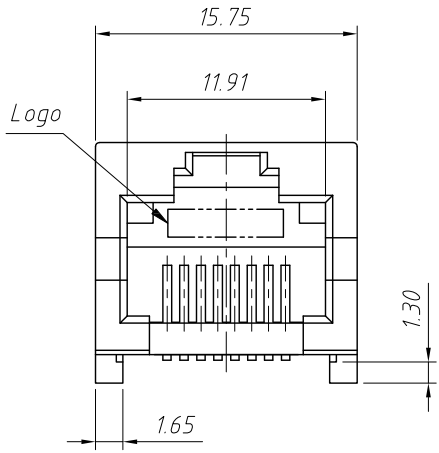
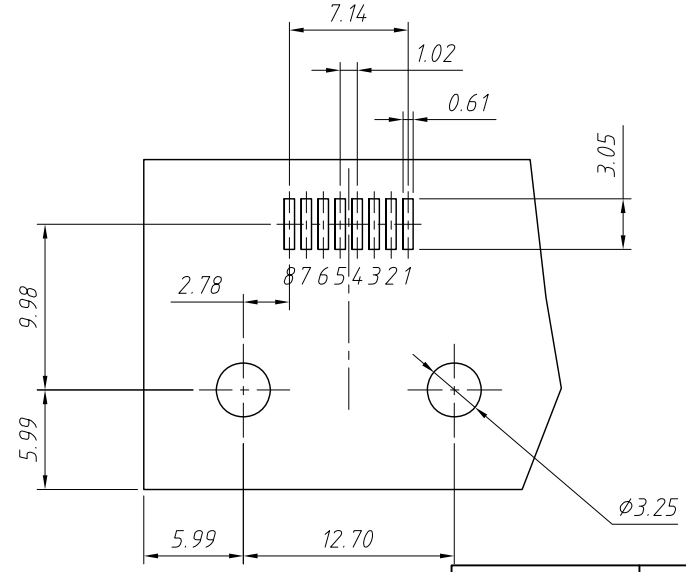
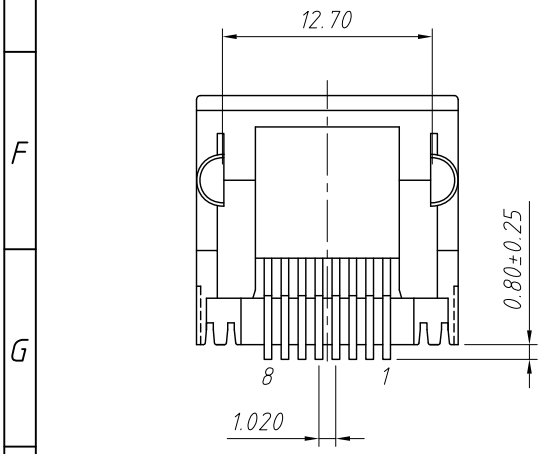


1  
RoHS Compliance



- Electrical:**
- 1.Voltage Rating:125VAC
  - 2.Current Rating:1.5A
  - 3.Contact Resistance:30mΩ Max.
  - 4.Insulation Resistance:500MΩ Min.@500VDC
  - 5.Withstanding Resistance:1000VAC RMS.50Hz 1minute
- Materials:**
- 1.Housing:Nylon-46,UL 94 V-0,Black
  - 2.Contact: 0.35mm Thick Phosphor Bronze,Plated With Hard Gold and Tin/Lead In Solder Area.
- Mechanical:**
- 1.Durability:750 cycles Min.
  - 2.PCB Retention pre-solder:1 LB Min.
- Environmental:**
1. Storage:-40°C ~ +85°C
  2. Operation:-40°C ~ +75°C



**Order Information:**  
**L-KLS12-SMT12-8P8C-N-XX-R**

L: RoHS  
 SMT series  
 Point No:8P8C  
 Shield Code:  
 N-Without Shield  
 Plating:  
 01:Fu"Gold 02:3u"Gold 03:6u"Gold  
 04:15u"Gold 05:30u"Gold  
 Packing:R-Reel P-Blister Tray

Recommended PCB Layout

ANGLE TOLERANCE	PROJECTION	Description:	RJ45-8P8C SMD Jack Horizontal, Without Shielded
±3°			
GENERAL TOLERANCE	UNITS	mm	KLS P/N: L-KLS12-SMT12-8P8C-N-XX-R
x.x ±0.30	SHEET SIZE	A4	NingBo KLS ELECTRONIC CO.,L TD.
x.xx ±0.20	Draw:Jenny	Daniel	
x.xxx ±0.10	Check:Daniel	Daniel	
		2021-08-01	
		2021-08-01	