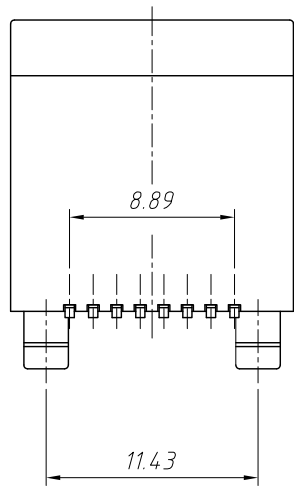
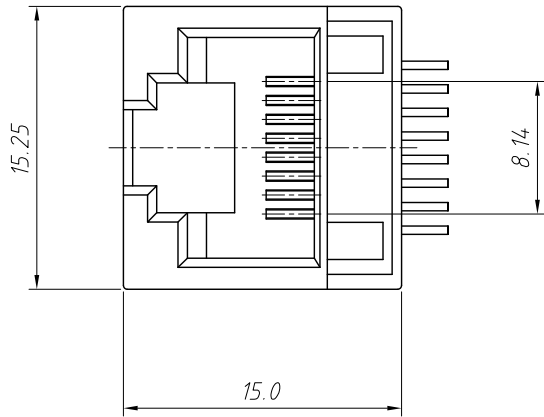


1 RoHS Compliance

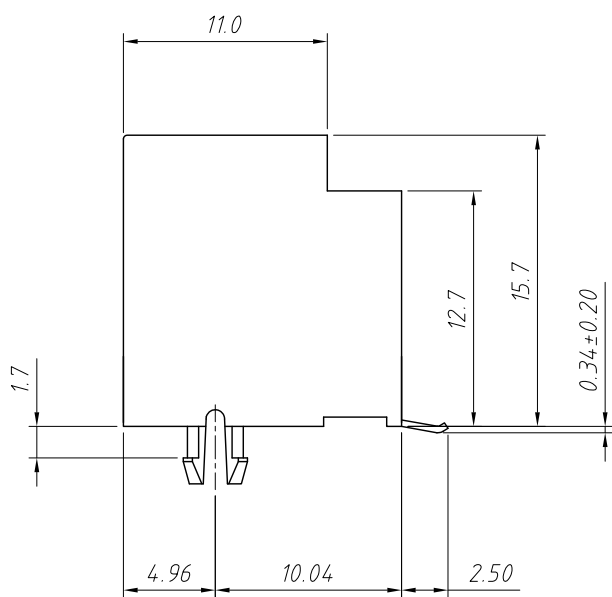


- Electrical:**
- 1.Voltage Rating:125VAC
  - 2.Current Rating:1.5A
  - 3.Contact Resistance:40mΩ Max.
  - 4.Insulation Resistance:1000MΩ Min.@500VDC
  - 5.Withstanding Resistance:1000VAC RMS.60Hz 1minute

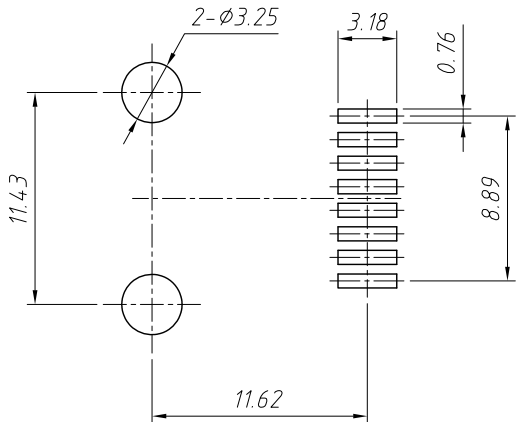
- Materials:**
- 1.Housing:High Temp.Thermoplastic Flammability,UL 94 V-0
  - 2.Contact:Phosphor Bronze
  - 3.Plating:Contact Area:Selective Gold Plating  
Tails Plating Tin Over NICKEL

- Mechanical:**
- 1.Durability:750 cycles Min.

- Environmental:**
- 1.Storage: -40°C ~ +85°C
  - 2.Operation:-20°C ~ +75°C



PC Board Layout/Top View



- Order Information:**
- L-KLS12-SMT27-8P8C-N-XX-P
- L: RoHS
  - SMT series
  - Point No:8P8C
  - Shield:N-Without Shield
  - Plating:
    - 01: 1u" Gold
    - 02: 3u" Gold
    - 03: 6u" Gold
    - 04: 15u" Gold
    - 05: 30u" Gold
  - Packing:R-Reel P-Blister Tray

ANGLE TOLERANCE	PROJECTION	Description:	RJ45-8P8C SMD Jack Vertical, Without Shell
±3°			
GENERAL TOLERANCE	UNITS	mm	KLS P/N: L-KLS12-SMT27-8P8C-N-XX-P
x.x ±0.30	SHEET SIZE	A4	
x.xx ±0.20	Draw:Jenny	Daniel	2021-08-01
x.xxx ±0.10	Check:Daniel	Daniel	2021-08-01

