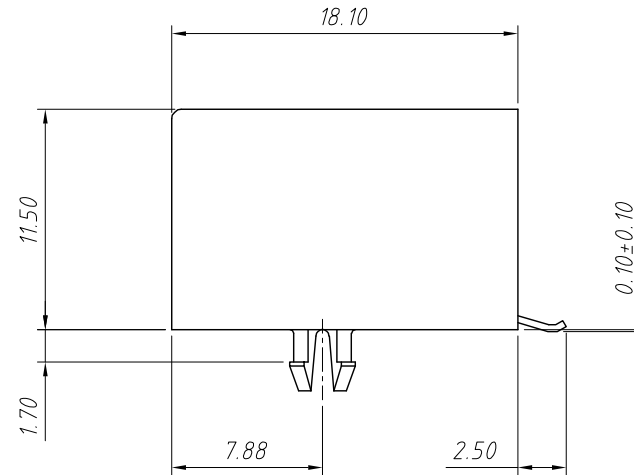
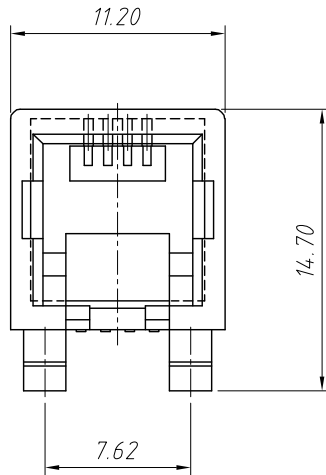


1 RoHS Compliance



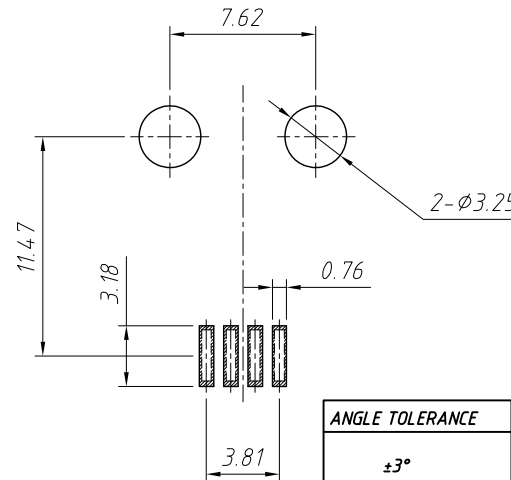
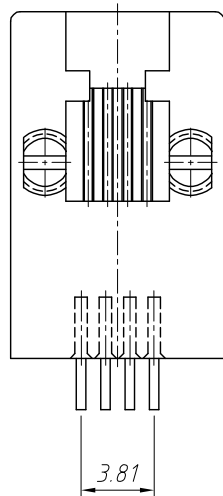
- Electrical:**
- 1.Voltage Rating:125VAC
  - 2.Current Rating:1.5A
  - 3.Contact Resistance:40mΩ Max.
  - 4.Insulation Resistance:1000MΩ Min.@500VDC
  - 5.Withstanding Resistance:1000VAC RMS.60Hz 1minute

- Materials:**
- 1.Housing:High Temp Thermoplastic Flammability, UL94V-0
  - 2.Contact:Phosphor Bronze
  - 3.Plating:Gold Plating Over Nickel In Contact  
Tin Plating Over Nickel In Solder Area

- Mechanical:**
- 1.Durability:750 cycles Min.

- Environmental:**
- 1.Storage: -40°C ~ +85°C
  - 2.Operation:-20°C ~ +75°C

PCB Layout/Top View



**Order Information:**

L-KLS12-SMT22-4P4C-N-XX-P

- L: RoHS
- SMT series
- Point No:4P4C
- Shield:N-Without Shield
- Plating:
- 01: 1u" Gold    02: 3u" Gold
- 03: 6u" Gold    04: 15u" Gold
- 05: 30u" Gold
- Packing:R-Reel    P-Blister Tray

|                   |              |              |  |
|-------------------|--------------|--------------|--|
| ANGLE TOLERANCE   | PROJECTION   | Description: | RJ11-4P4C SMD Jack Horizontal,<br>Without Shielded |
| ±3°               |              |              |  |
| GENERAL TOLERANCE | UNITS        | mm           | KLS P/N: L-KLS12-SMT22-4P4C-N-XX-P                 |
| x.x ±0.30         | SHEET SIZE   | A4           | NingBo KLS ELECTRONIC CO.,L TD.                    |
| x.xx ±0.20        | Draw:Jenny   | Daniel       |  |
| x.xxx ±0.10       | Check:Daniel | Daniel       |  |
|                   |              | 2021-08-01   |  |
|                   |              | 2021-08-01   |  |