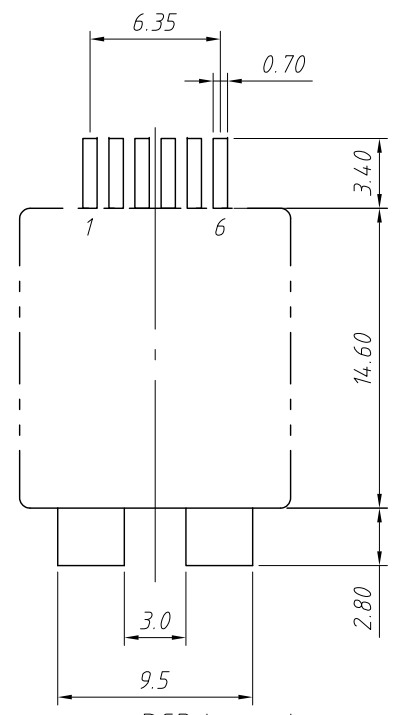
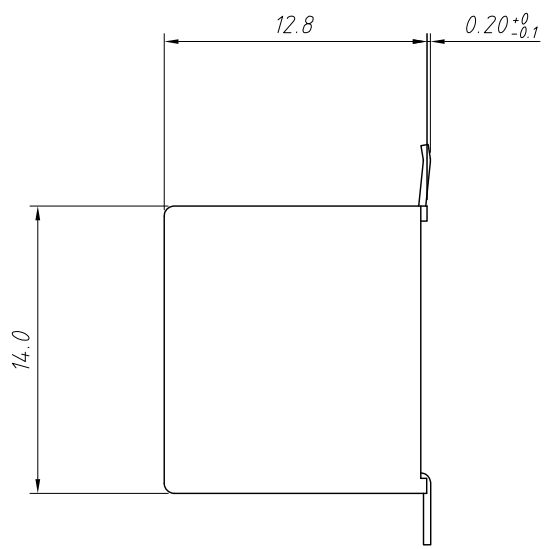
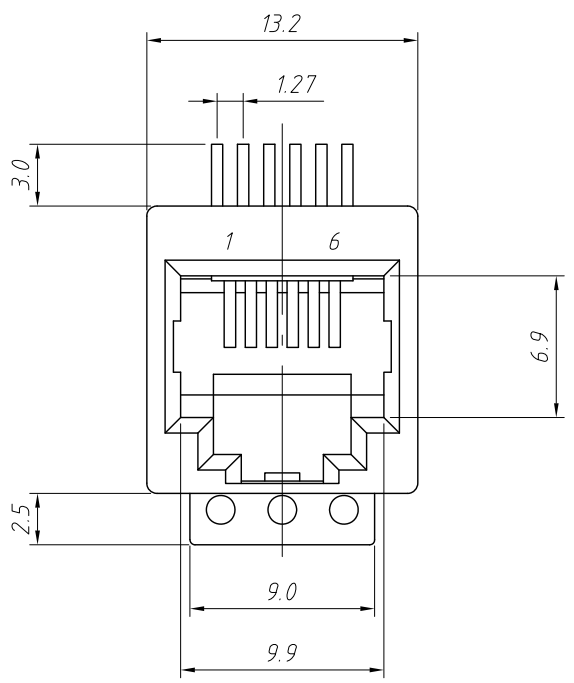


1 RoHS Compliance



PCB Layout
(Component Side View)

Electrical:

- 1.Voltage Rating:125VAC
- 2.Current Rating:1.5A
- 3.Contact Resistance:30mΩ Max.
- 4.Insulation Resistance:1000MΩ Min.@500VDC
- 5.Withstanding Resistance:1000VAC RMS.60Hz 1minute

Materials:

- 1.Housing:Nylon+30%G.F, UL94 V-0
- 2.Contact:Phosphor Bronze T=0.35mm
- 3.Plating:Gold Plating Over Nickel

Mechanical:

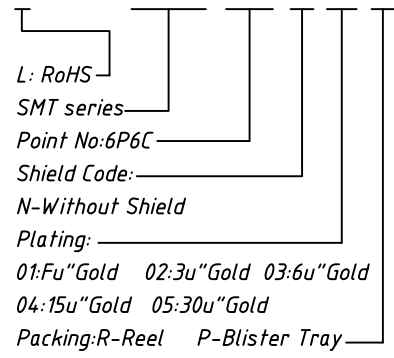
- 1.Durability:750 cycles Min.
- 2.PCB Retention Post-Solder:10 LBS MIN

Environmental:

- 1.Storage: -40°C ~ +85°C
- 2.Operation: -20°C ~ +85°C
- 3.Ir Reflow Soldering Temperature:255°C To 265°C (5-10 second)

Order Information:

L-KLS12-SMT04-6P6C-N-XX-R



ANGLE TOLERANCE	PROJECTION	Description:	RJ11-4P4C SMD Jack Vertical, Without Shell
±3°			
GENERAL TOLERANCE	UNITS	mm	KLS P/N:
x.x ±0.30	SHEET SIZE	A4	L-KLS12-SMT04-6P6C-N-XX-R
x.xx ±0.20	Draw:Jenny	Daniel	2021-08-01
x.xxx ±0.10	Check:Daniel	Daniel	2021-08-01



NingBo KLS ELECTRONIC CO.,LTD.