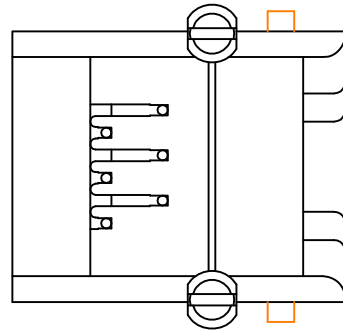
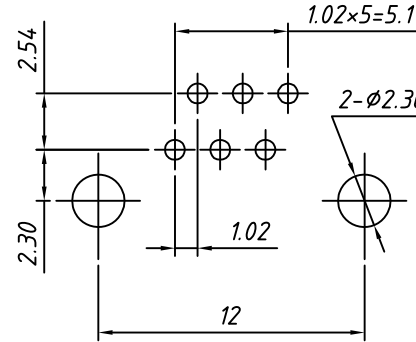


Without Panel



PCB Layout



Material:
 Housing: PBT+Glass Filled Polyester
 Flammability Rating: UL94V-0
 Contacts: Phosphor Bronze $\phi 0.46\text{mm}$
 Plating: Gold Plating

Electrical:
 Voltage Rating: 125VAC
 Current Rating: 1.5A
 Contact Resistance: 30m Ω Max.
 Insulation Resistance: 500M Ω Min.
 Dielectric Strength: 1000VAC Rms 50Hz, 1 Min.
 Durability: 600 cycles Min.
 Operation Temperature: -40°C ~ +70°C

Order Information

L-KLS12-125-6P6C - W - 1 - XX

RoHS

Contacts: 6P6C

Panel: W-With Panel

W/O-Without Panel

Color Code:

1-Black

2-Gray

Plating Code:

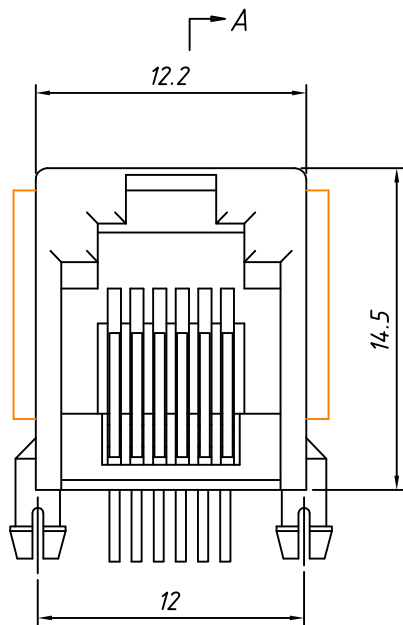
01-Fu" Gold Plating

02-3u" Gold Plating

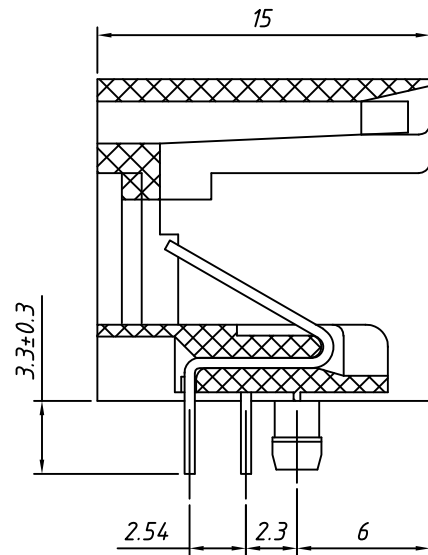
03-6u" Gold Plating

04-15u" Gold Plating

05-30u" Gold Plating



With Panel



SECTION A-A

GENERAL TOLERANCE	PROJECTION		Description:
X. ± 0.30	UNITS	mm	RJ12-6P6C Modular jacks
.X ± 0.25	SCALE	1:1	
.XX ± 0.20	Draw by:	Jenny	
ANGLE TOLERANCE	Check by:	Daniel	KLS P/N: L-KLS12-125-6P6C-X-X-XX
X. $\pm 3^\circ$	Date	2021-08-06	NingBo KLS ELECTRONIC CO.,LTD.
.X $\pm 2^\circ$	SHEET	1 OF 1	
.XX $\pm 1^\circ$			