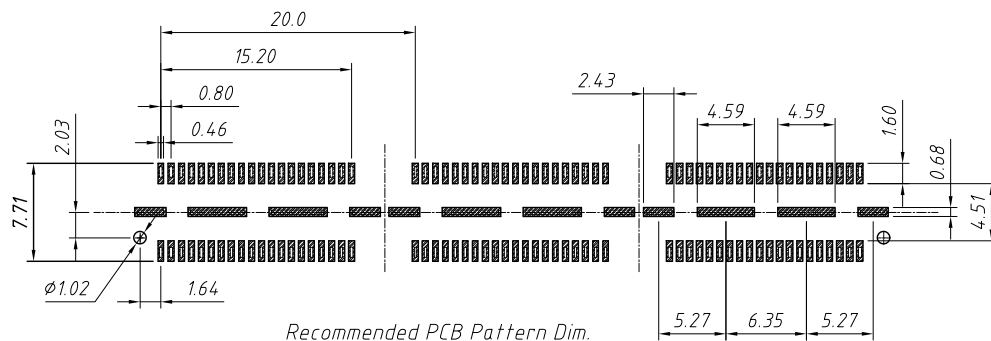
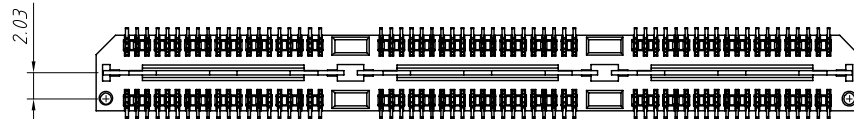
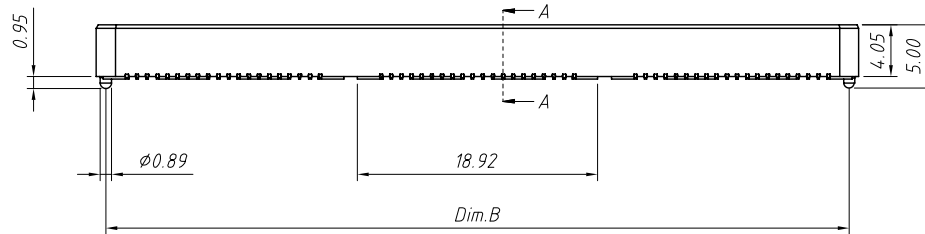
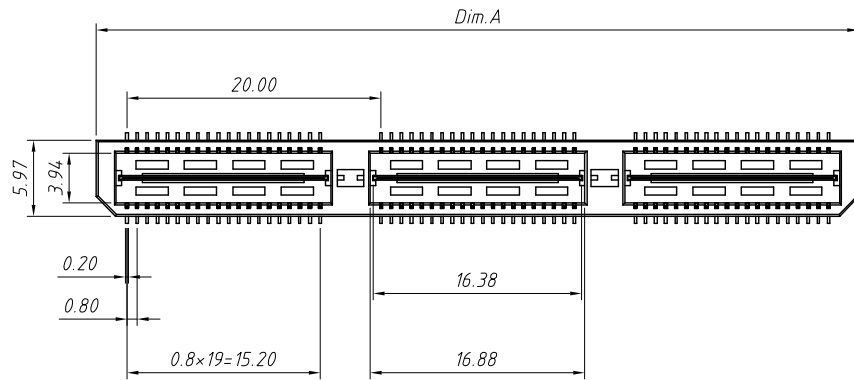


RoHS Compliance



Recommended PCB Pattern Dim.
Tolerance: ±0.05

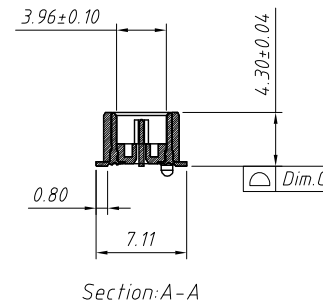
Circuit	A	B	C
28	20.00	18.48	0.10
56	40.00	38.48	0.10
84	60.00	58.48	0.15
112	80.00	78.48	0.15
140	100.00	98.48	0.15

Material and Plated

- 1.Housing:High Temp Plastic,(LCP UL94V-0)
- 2.Contact:Copper Alloy
- 3.Plated:Gold Plated 10U"
- 4.Package:1000PCS/Reel

Specifications:

- 1.Current Rating:1.0A AC/DC
- 2.Voltage Rating:250V AC/DC
- 3.Contact Resistance:30mΩ. max.
- 4.Insulation Resistance:1000MΩ. min.
- 5.Withstanding Voltage:250V AC for one minute
- 6.Operating Temperature Range:-40°C to + 85°C



Order Information:

L-KLS1-B0608-430MXX-T3R

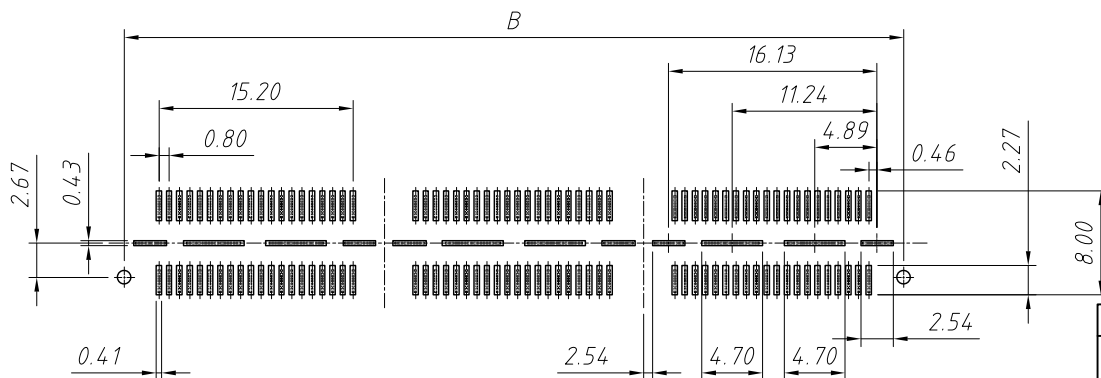
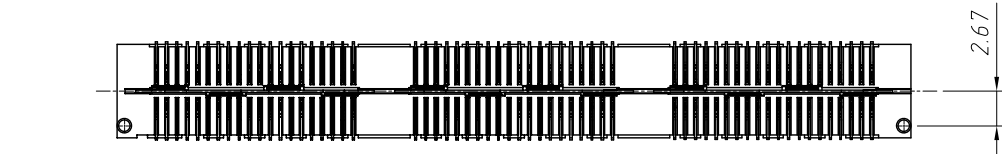
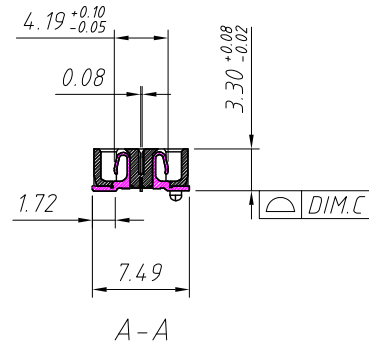
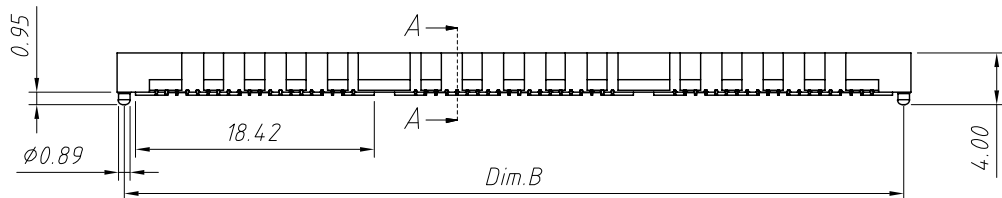
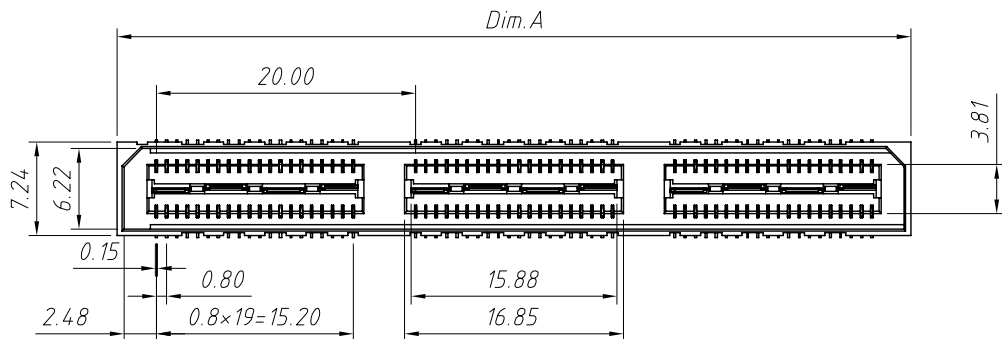
- L: RoHS
- Board To Board
- Pitch-0.80mm
- Height-4.30mm
- Type-M-Male
- XX-No. Of Contact
- Installation mode:
- T=SMD Without Post, T3=SMD With Post
- Packing:R=Reel T=Tube

ANGLE TOLERANCE	PROJECTION	Description:	
±3°		0.8mm Board To Board Plug 4.30mm Height	
GENERAL TOLERANCE	UNITS	mm	KLS P/N:
x.x ±0.30	SHEET SIZE	A4	L-KLS1-B0608-430MXX-T3R
x.xx ±0.20	Draw:	Daniel	2020-11-11
x.xxx ±0.10	Check:	Daniel	2020-11-11



NingBo KLS ELECTRONIC CO.,L TD.

1 RoHS Compliance



Recommended P.C.B Pattern DIM
Tolerance: ±0.05

Material and Plated
 1.Housing:High Temp Plastic,(LCP UL94V-0) Black
 2.Contact:Phosphor Bronze
 3.Plated:Selective Gold Plated 10u"
 4.Package:1000pcs/Reel

Specifications:
 1.Current Rating:1.0A AC/DC
 2.Voltage Rating:250V AC/DC
 3.Contact Resistance:30mΩ. max.
 4.Insulation Resistance:1000MΩ. min.
 5.Withstanding Voltage:250V AC for one minute
 6.Operating Temperature Range:-40°C to + 85°C

Circuit	A	B	C
28	21.28	20.13	0.10
56	41.28	40.13	0.10
84	61.28	60.13	0.15
112	81.28	80.13	0.15
140	101.28	100.13	0.15

Order Information:
 L-KLS1-B0608-330FXX-T3R
 L: RoHS
 Board To Board
 Pitch-0.80mm
 Height-3.30mm
 Type-F-Female
 XX-No. Of Contact
 Installation mode:
 T=SMD Without Post, T3=SMD With Post
 Packing:R=Reel T-Tube

ANGLE TOLERANCE	PROJECTION	Description:
±3°		0.8mm Board To Board Connector Socket H3.30 Type
GENERAL TOLERANCE	UNITS	mm
x.x ±0.30	SHEET SIZE	A4
x.xx ±0.20	Draw:	Daniel 2020-11-11
x.xxx ±0.10	Check:	Daniel 2020-11-11

NingBo KLS ELECTRONIC CO.,L.TD.