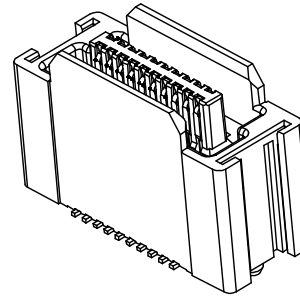
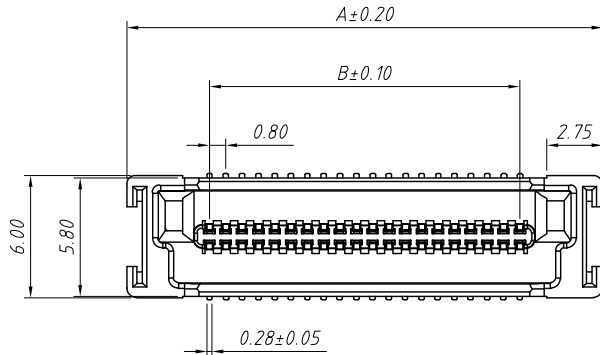


RoHS Compliance

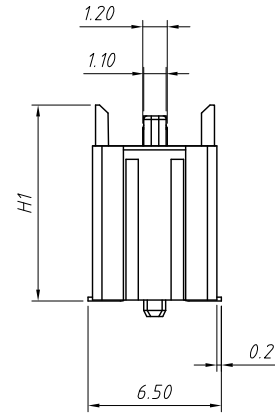
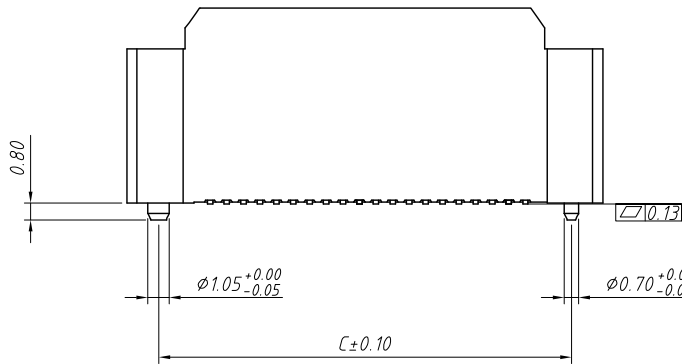


Material and Plated

- 1.Housing:High Temp.Plastic(LCP),UL 94V-0,Natural
- 2.Contact:Copper Alloy
- 3.Plated:Copper Alloy

Specifications:

- 1.Current Rating:1.0A AC/DC
- 2.Voltage Rating:250V AC/DC
- 3.Contact Resistance:30mΩ. max.
- 4.Insulation Resistance:1000MΩ. min.
- 5.Withstanding Voltage:250V AC for one minute
- 6.Operating Temperature Range:-40°C to + 85°C

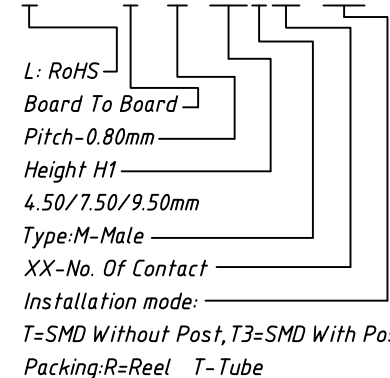


Mating Height Dimension

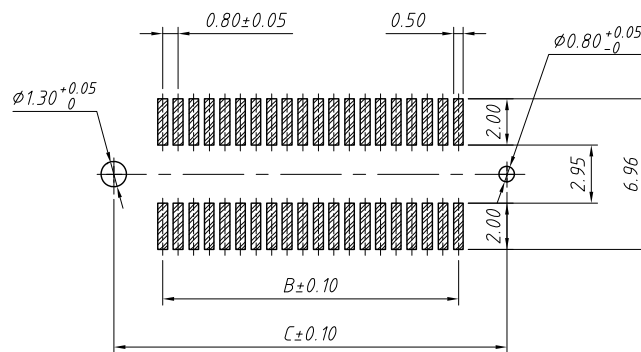
P/N Plug	P/N Socket	Mating Height
B0308-450M	B0308-400F	5.00
	B0308-900F	10.00
B0308-750M	B0308-400F	8.00
	B0308-900F	13.00
B0308-950M	B0308-900F	15.00

Order Information:

L-KLS1-B0308-750MXX-T3R



Circuit	A	B	C
10	11.30	3.20	8.20
20	15.30	7.20	12.20
30	19.30	11.20	16.20
40	23.30	15.20	20.20
50	27.30	19.20	24.20
60	31.30	23.20	28.20
70	35.30	27.20	32.20
80	39.30	31.20	36.20
100	47.30	39.20	44.20
120	55.30	47.20	52.20
140	63.30	55.20	60.20



Recommended PCB Layout

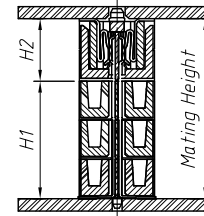
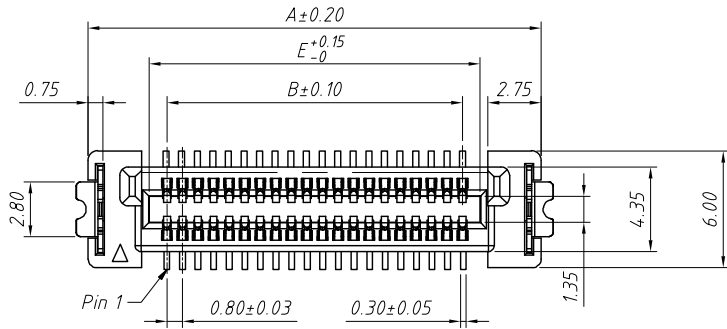
Mating Height	H1	H2
5.0	4.50	4.00
8.0	7.50	4.00
10.0	4.50	9.00
13.0	7.50	9.00
15.0	9.50	9.00

ANGLE TOLERANCE	PROJECTION	Description:
±3°		0.8mm Board To Board Connector Plug Assembly H7.50 Type
GENERAL TOLERANCE	UNITS	mm
x.x ±0.30	SHEET SIZE	A4
x.xx ±0.20	Draw:	Daniel 2020-11-11
x.xxx ±0.10	Check:	Daniel 2020-11-11



NingBo KLS ELECTRONIC CO.,L TD.

1 RoHS Compliance



Mating Height

Material and Plated

1.Housing:High Temp.Plastic(LCP),UL94V-0,Natural

2.Contact:Phosphor Bronze

3.Plated:1u"Gold Flash Overall

50~100u"Nickel Under Plated

4.Package:800PCS/Reel

Specifications:

1.Current Rating:1.0A AC/DC

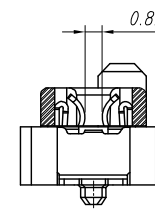
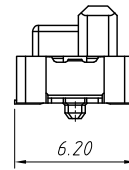
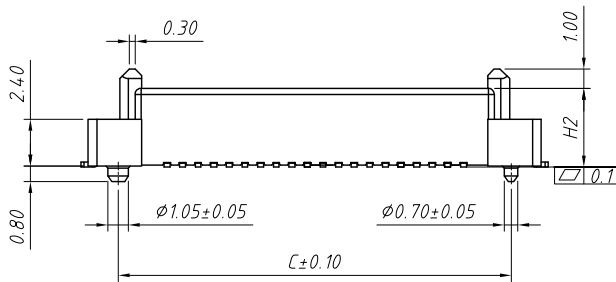
2.Voltage Rating:250V AC/DC

3.Contact Resistance:30mΩ. max.

4.Insulation Resistance:1000MΩ. min.

5.Withstanding Voltage:250V AC for one minute

6.Operating Temperature Range:-40°C to + 85°C



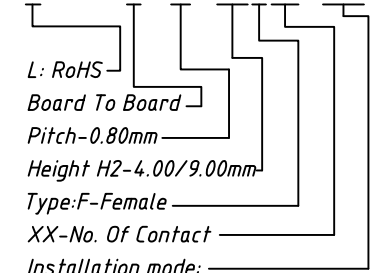
Scale: 1:25:1

Mating Height Dimension

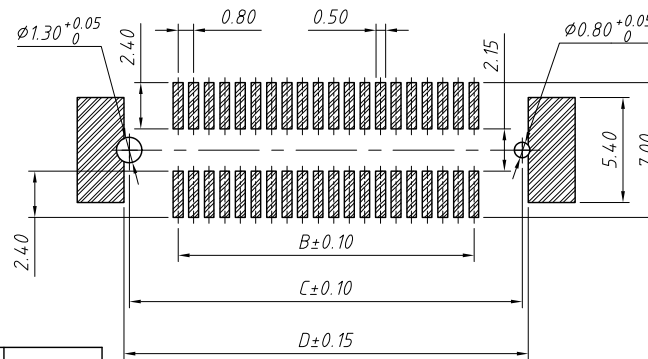
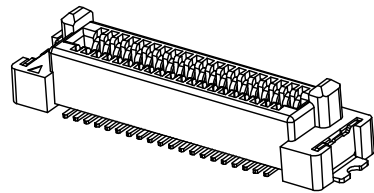
P/N Plug	P/N Socket	Matting Height
B0308-750M	B0308-400F	8.00
B0308-450M		5.00
B0308-450M	B0308-900F	10.00
B0308-750M		13.00
B0308-950M		15.00
B0308-12.50M		18.00

Order Information:

L-KLS1-B0308-400FXX-T3R



T=SMD Without Post, T3=SMD With Post
Packing:R=Reel T=Tube



Recommended PCB Layout

Circuit	A	B	C	D	E
10	11.30	3.20	8.20	8.80	4.90
20	15.30	7.20	12.20	12.80	8.90
30	19.30	11.20	16.20	16.80	12.90
40	23.30	15.20	20.20	20.80	16.90
50	27.30	19.20	24.20	24.80	20.90
60	31.30	23.20	28.20	28.80	24.90
70	35.30	27.20	32.20	32.80	28.90
80	39.30	31.20	36.20	36.80	32.90
100	47.30	39.20	44.20	44.80	40.90

Mating Height	H1	H2
5.0	4.50	4.00
8.0	7.50	4.00
10.0	4.50	9.00
13.0	7.50	9.00
15.0	9.50	9.00
18.0	12.50	9.00

ANGLE TOLERANCE	PROJECTION	Description:
±3°		Pitch 0.8mm Board to Board Connector H5.00~15.00mm
GENERAL TOLERANCE	UNITS	mm
x.x ±0.30	SHEET SIZE	A4
x.xx ±0.20	Draw:	Daniel 2020-11-11
x.xxx ±0.10	Check:	Daniel 2020-11-11



NingBo KLS ELECTRONIC CO.,L TD.