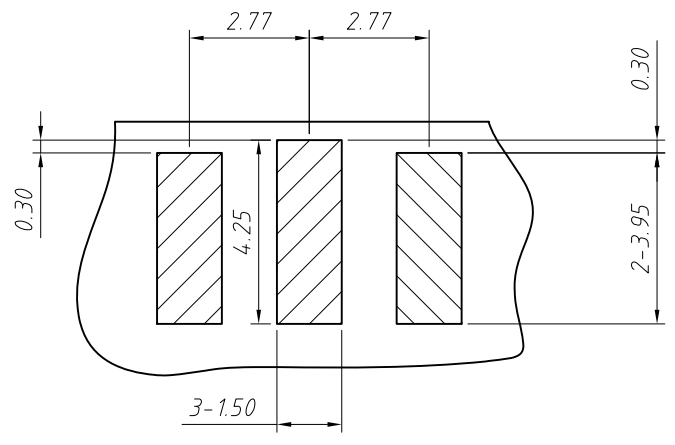
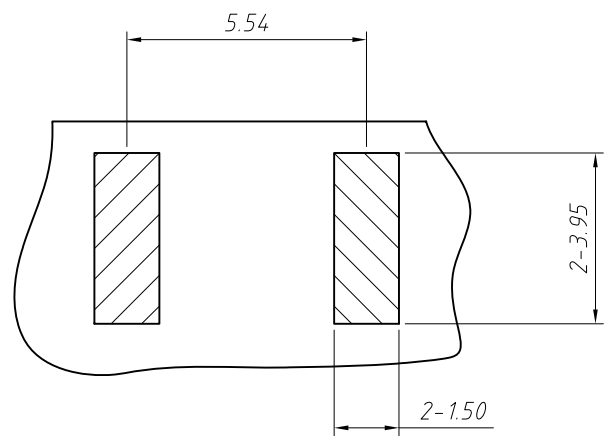


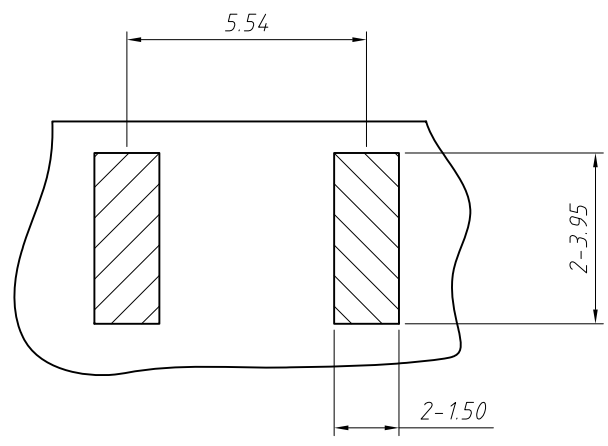
1
RoHS Compliance



TOP VIEW



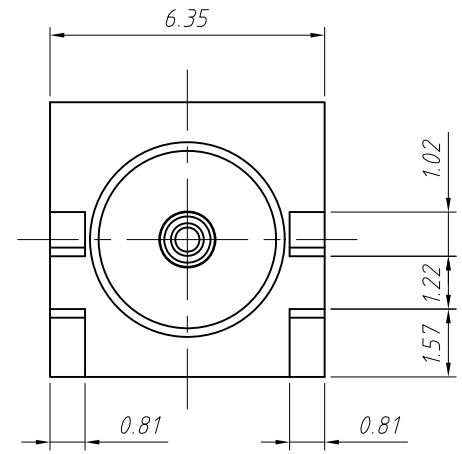
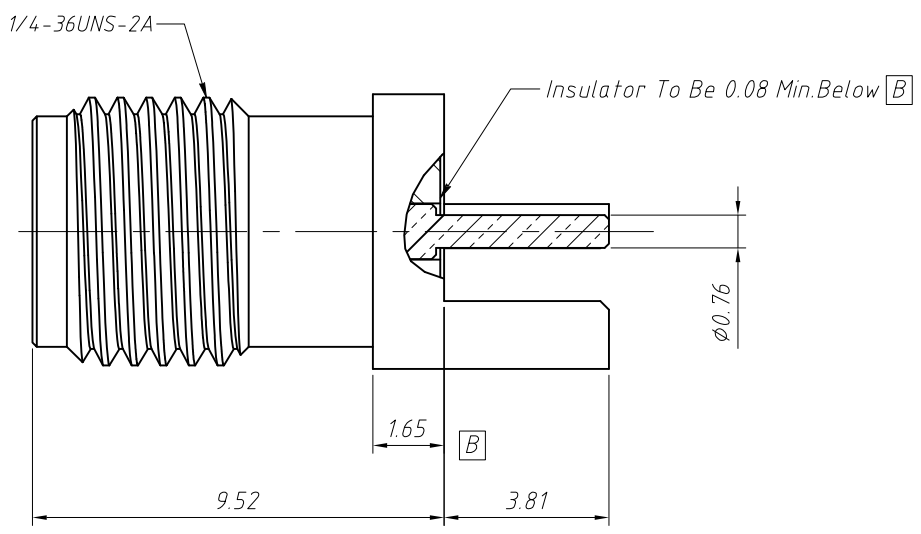
RECOMMENDED PCB LAYOUT



BOTTOM VIEW

Material:
 Body: Brass, Gold Plating
 Insulator: PTFE, Natural
 Contact Pin: Ber. Copper, Gold Plating

Electrical:
 Impedance: 50Ω
 Durability: 500 Cycles Min
 Temperature Range: -65°C to +165°C



ANGLE TOLERANCE	PROJECTION	Description:	RF Connector SMA PCB End Launch Jack 50Ω (Jack, Female & Male)
±3°			
GENERAL TOLERANCE	UNITS	mm	KLS P/N: L-KLS1-SMA060 (Female)
x.x ±0.30	SHEET SIZE	A4	
x.xx ±0.20	Draw:	Daniel	2020-11-11
x.xxx ±0.10	Check:	Daniel	2020-11-11

NingBo KLS ELECTRONIC CO.,L TD.