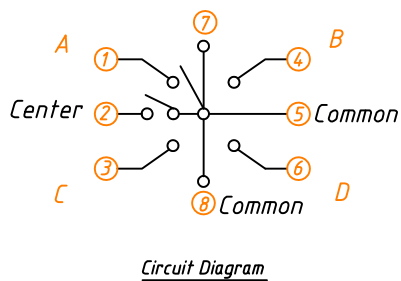
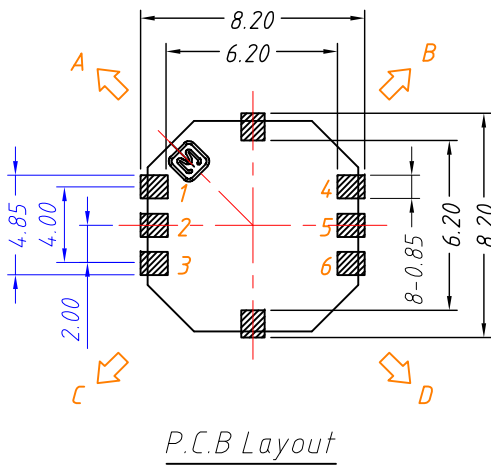
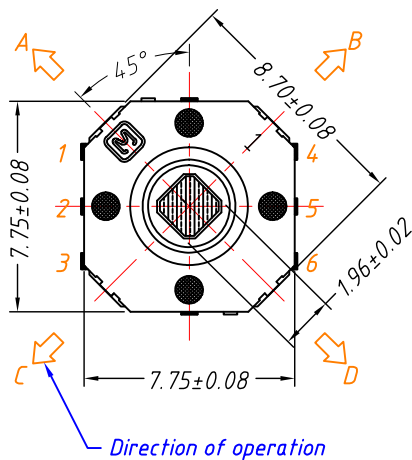


- Material:**
- 1.Principal axis: PA46,Black
 - 2.Shaft guard: LCP,Black
 - 3.Cover: Stainless steel,silver plated
 - 4.Base: PA46,Black
 - 5.Contact : Stainless steel,silver plated

- Electrical Characteristics:**
- Rating: 0.1A DC12V
 - Insulation Resistance: 100MΩ Min(DC100V)
 - Dielectric Withstanding Voltage: AC100V(50/60Hz foy 1 minute)
 - 4.Mechanical Life: 100,000 Cycles
 - 5.Temperature range: -10°C To +60°C
 - 6.Operating force: 5-150gf±30gf



GENERAL TOLERANCE	PROJECTION		Description:
X. ±0.50	UNITS	mm	Multi-Function switches
.X ±0.25	SCALE	1:1	
.XX ±0.10	Draw by:	Jenny	
ANGLE TOLERANCE	Check by:	Daniel	KLS P/N: L-KLS7-MT-01
X. ±5°	Date	2021-07-28	NingBo KLS ELECTRONIC CO.,L TD.
.X ±3°	SHEET	1 OF 1	
.XX ±2°			